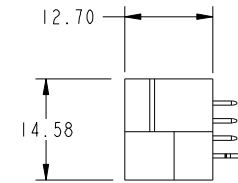
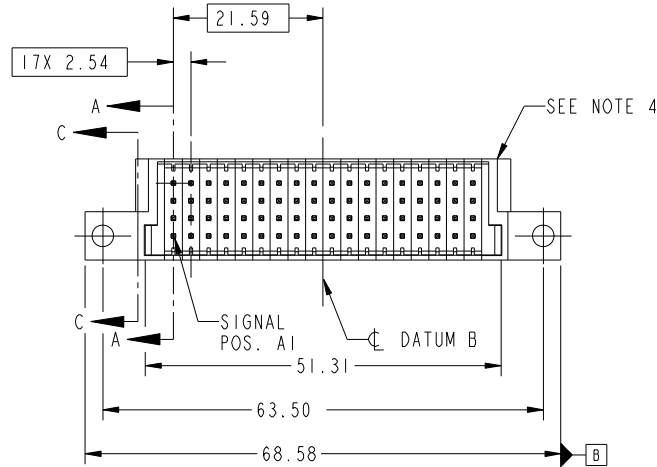


Tous droits strictement reserves. Reproduction ou communication a des tiers interdite sous quelque forme que ce soit sans autorisation écrite du propriétaire. Propriete de c FCI. Droits de reproduction FCI.



All rights strictly reserved. Reproduction or issue to third parties in any form whatever is not permitted without written authority from the proprietor. Property of FCI. Copyright FCI.

PRODUCT NO.	ROWS	SIGNAL																			
51963-061 NOTE ③	D C B A	E1	1	2	3	4	5	6	7	8	9	10	11	12	13	14	15	16	17	18	E2
		HA	E	E	E	E	E	E	E	E	E	E	E	E	E	E	E	E	E	E	E



CODE	DIM "M" MATING LENGTH	CONTACT TYPE
E	[6.86]	SIGNAL
HA	[N/A]	HOLD-DOWN

mat'l code				tolerances unless otherwise specified			CUSTOMER		FCI	
ltr	ecn no.	dr	date	linear	0.X ± 0.5	COPY		www.fciconnect.com		
A	DG10-0272	WL	07/23/10	angles	0.XX ± 0.25	projection		title		
				dr	0.XXX ± 0.1	MIM		72S		
				enr	0° ± 2°	scale		VERTICAL SOLDER HEADER		
				chr	WL ZHANG 07/23/10	1:1		product family		PwrBlade
				appd	WL ZHANG 07/23/10			size		code
					PM ZHENG 07/23/10			dwg no		213
					JOSEPH HSIA 07/23/10			51963-061		sheet
sheet index	revision sheet	A	A	A	A					1 of 4
		1	2	3	4					

cage code 22526

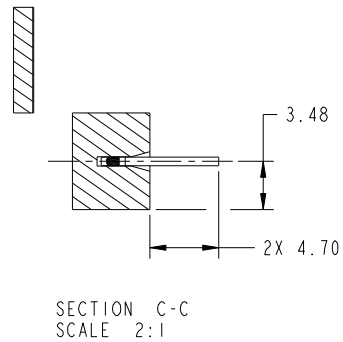
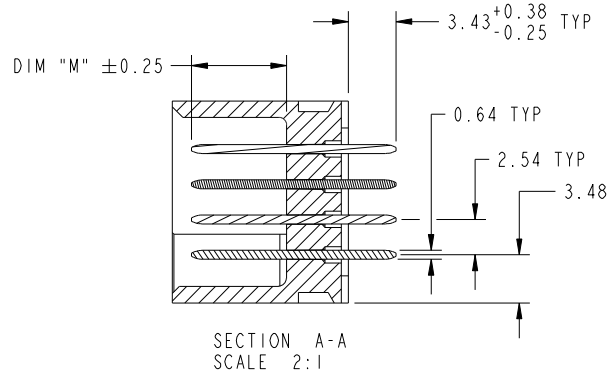
Pro/E

Tous droits strictement reserves. Reproduction ou communication a des tiers interdite sous quelque forme que ce soit sans autorisation écrite du propriétaire. Propriete de c FCI. Droits de reproduction FCI.



All rights strictly reserved. Reproduction or issue to third parties in any form whatever is not permitted without written authority from the proprietor. Property of FCI. Copyright FCI.

PRODUCT NUMBER  
51963-061\_\_  
NOTE 3



mat'l code				tolerances unless otherwise specified		CUSTOMER		FCI	
ltr	ecn no.	dr	date	linear	0.X ±0.5	COPY		www.fciconnect.com	
A				linear	0.XX ±0.25	projection		title	
				angles	0.XXX ±0.1			72S VERTICAL SOLDER HEADER	
				dr	0° ±2°			product family PwrBlade code	
				enr	WL ZHANG 07/23/10			size	
				chr	WL ZHANG 07/23/10	1:1		dwg no	
				appd	PM ZHENG 07/23/10			51963-061	
					JOSEPH HSIA 07/23/10			sheet	
sheet index		revision sheet						2 of 4	

cage code 22526

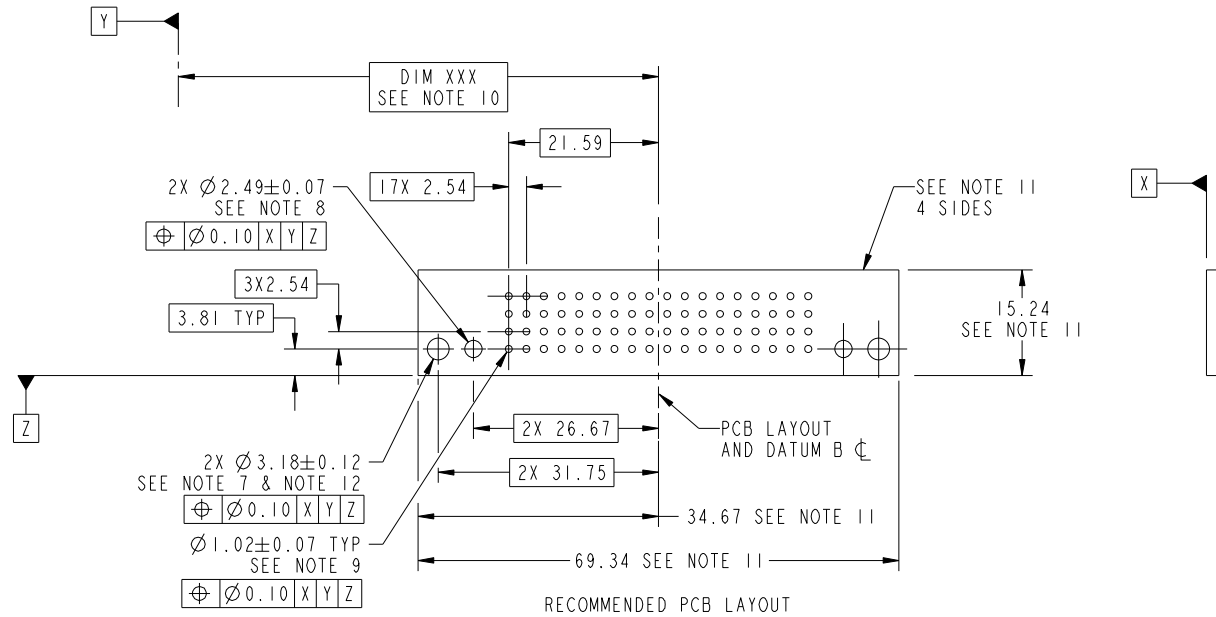
Pro/E

Tous droits strictement reserves. Reproduction ou communication a des tiers interdite sous quelque forme que ce soit sans autorisation écrite du propriétaire. Propriete de c FCI. Droits de reproduction FCI.



All rights strictly reserved. Reproduction or issue to third parties in any form whatever is not permitted without written authority from the proprietor. Property of FCI. Copyright FCI.

PRODUCT NUMBER  
51963-061\_\_  
NOTE 3



mat'l code				tolerances unless otherwise specified		CUSTOMER		FCI	
ltr	ecn no.	dr	date	linear	0.X ±0.5	COPY		www.fciconnect.com	
A				linear	0.XX ±0.25	projection		title	
				angles	0.XXX ±0.1			72S VERTICAL SOLDER HEADER	
				dr	0° ±2°	MIM		product family PwrBlade code	
				enr	WL ZHANG 07/23/10	scale		size	
				chr	WL ZHANG 07/23/10	1:1		dwg no	
				appd	PM ZHENG 07/23/10	A		51963-061	
					JOSEPH HSIA 07/23/10			sheet	
sheet index		revision sheet						3 of 4	
								cage code	
								22526	

Pro/E

cage code  
22526

Tous droits strictement reserves. Reproduction ou communication a des tiers interdite sous quelque forme que ce soit sans autorisation écrite du propriétaire. Propriete de c FCI. Droits de reproduction FCI.

All rights strictly reserved. Reproduction or issue to third parties in any form whatever is not permitted without written authority from the proprietor. Property of FCI. Copyright FCI.

PRODUCT NUMBER  
51963-061--  
NOTE 3

NOTES:

1. DIMENSIONS AND TOLERANCES ARE IN ACCORDANCE WITH ASME Y14.5M, 1994 UNLESS OTHERWISE SPECIFIED.

CONNECTOR NOTES:

- 2 HOUSING MATERIAL: UL 94 V-0 GLASS FILLED HIGH-TEMP THERMOPLASTIC  
POWER CONTACT MATERIAL: COPPER ALLOY  
SIGNAL PIN MATERIAL: COPPER ALLOY
  - 3. SEE ITEM 1 & 2 IN PRINT 10064183 FOR PLATING SPEC OF 51963-061 AND 51963-061LF RESPECTIVELY.
  - 4 MANUFACTURER'S NAME, DATE CODE AND OPTIONAL P/N TO APPEAR ON THIS SURFACE. THE P/N CAN BE OMITTED IF THERE IS NOT ENOUGH SPACE ON THIS SURFACE.
  - 5. PRODUCT SPECIFICATION GS-12-149.  
APPLICATION SPECIFICATION BUS-20-067.
  - 6. PACKAGED IN TRAYS.
- PCB NOTES:
- 7. ALL HOLE DIAMETERS ARE FINISHED HOLE SIZE.
  - 8. MOUNTING HOLES, WHERE APPLICABLE, ARE UNPLATED.
  - 9  $\varnothing 1.151 \pm 0.025$  DRILLED HOLES PLATED WITH 0.008 MIN SnPb OR Sn OVER .001 [0.03] TO 0.08 Cu PLATING TO ACHIEVE  $\varnothing 1.02 \pm 0.07$  HOLE.
  - 10 "DIM XXX" TO BE DETERMINED BY THE CUSTOMER.
  - 11 CONNECTOR KEEP-OUT ZONE.
12. CUSTOMER SUPPLIES (2) #4-40 UNC SCREW, HARDWARE TO MOUNT HEADER TO PC BOARD.

mat'l code				tolerances unless otherwise specified		CUSTOMER		FCI	
ltr	ecr no.	dr	date	linear	0.X ± 0.5	COPY		www.fciconnect.com	
A				linear	0.XX ± 0.25	projection		title	
				angles	0.XXX ± 0.1			72S VERTICAL SOLDER HEADER	
				dr	0° ± 2°	MIM		product family	
				enr	WL ZHANG 07/23/10			PwrBlade	
				chr	WL ZHANG 07/23/10	scale		code	
				appd	PM ZHENG 07/23/10	1:1		213	
					JOSEPH HSIA 07/23/10	A		sheet	
sheet index		revision sheet						4 of 4	
								cage code	
								22526	

Pro/E

cage code 22526