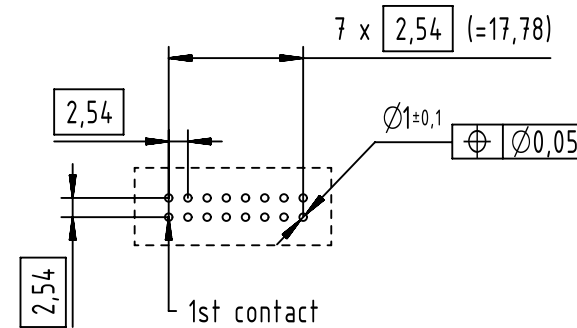
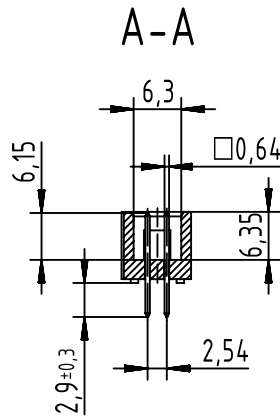
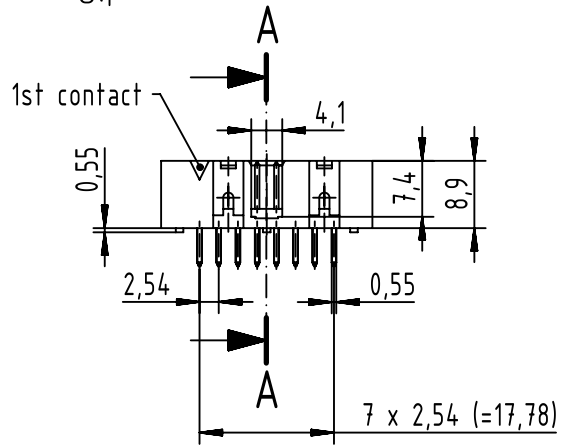
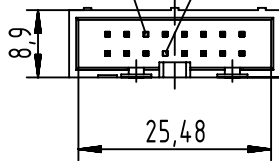


PC-Board layout  
view component side  
thickness 1,6 mm



Position 6 without contact      Position 7 without contact



	All rights reserved Department EC PD - FR	All Dimensions in mm Original Size DIN A4		Scale 1:1	Free size tol.	Ref. Sub.
		Created by SONN	Inspected by BHUTANI	Standardisation HOFFMANN	Date 2014-07-30	State Approved
HARTING Electronics GmbH D-32339 Espelkamp		Title SEK 18 male straight low profile				Doc-Key / ECM-Nr. 100586929/UGD/000/A 500000078117
Type TB	Number 09184166324				Rev. A	Page 1/1

09184166324	PL2
Part number	Performance level