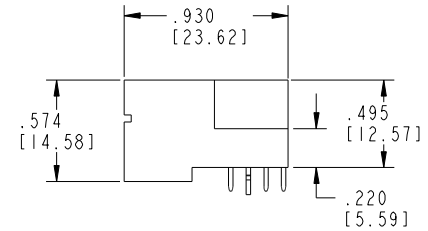
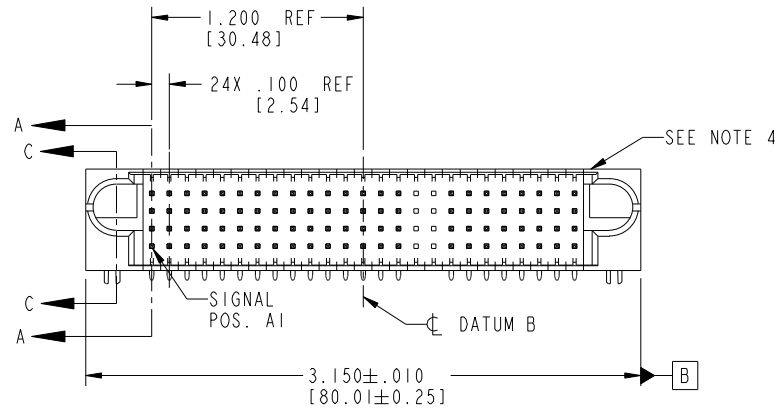


Tous droits strictement reserves. Reproduction ou communication a des tiers interdite sous quelque forme que ce soit sans autorisation écrite du propriétaire. Propriete de c FCI. Droits de reproduction FCI.



All rights strictly reserved. Reproduction or issue to third parties in any form whatever is not permitted without written authority from the proprietor. Property of FCI. Copyright FCI.

PRODUCT NO.	ROWS	SIGNAL																										
		E1	1	2	3	4	5	6	7	8	9	10	11	12	13	14	15	16	17	18	19	20	21	22	23	24	25	E2
51952-074 NOTE ③	D	U	U	U	U	U	U	U	U	U	U	U	U	U	U	U	U	U	U	U	U	U	U	U	U	U	U	U
	C	T	T	T	T	T	T	T	T	T	T	T	T	T	T	T	T	T	T	T	T	T	T	T	T	T	T	T
	B	S	S	S	S	S	S	S	S	S	S	S	S	S	S	S	S	S	S	S	S	S	S	S	S	S	S	S
	A	R	R	R	R	R	R	R	R	R	R	R	R	R	R	R	R	R	R	R	R	R	R	R	R	R	R	R



CODE	DIM "M" MATING LENGTH	CONTACT TYPE
U	.270 [6.86]	SIGNAL
T	.270 [6.86]	SIGNAL
S	.270 [6.86]	SIGNAL
R	.270 [6.86]	SIGNAL
HA	N/A [N/A]	HOLD-DOWN
X	OMITTED	

mat'l code				SEE NOTE 2		tolerances unless otherwise specified		CUSTOMER		FCI	
ltr	ecn no.	dr	date	linear	.XX±.01/0.X±0.3	projection	title	COPY		www.fciconnect.com	
A	DG05-0296	GuoJM	08/24/05		.XXX±.005/0.XX±0.13		100S				
B	DG05-0563	RYAN	12/26/05		.XXX±.0020/0.XXX±0.051		R/A STB HEADER				
C	DG06-0406	JMG	09/27/06	angles	0°±2°						
				dr	JM Guo 08/24/05	INCH/MM	product family	PwrBlade	code	213	
				enr	LUOS 08/24/05	scale	size	dwg no	51952-074	sheet 1 of 4	
				chr	VICTOR LIN 08/24/05	1:1					
				appd	JOSEPH HSIA 08/24/05						
sheet index	revision sheet	C	C	C	C						
		1	2	3	4						

cage code 22526

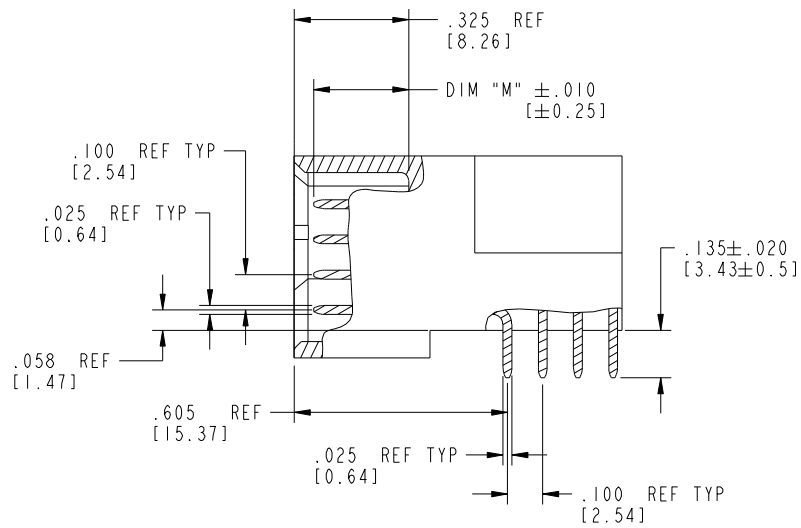
Pro/E

Tous droits strictement reserves. Reproduction ou communication a des tiers interdite sous quelque forme que ce soit sans autorisation ecrite du proprietaire. Propriete de c FCI. Droits de reproduction FCI.

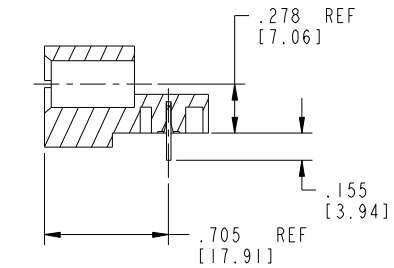


All rights strictly reserved. Reproduction or issue to third parties in any form whatever is not permitted without written authority from the proprietor. Property of FCI. Copyright FCI.

PRODUCT NUMBER
51952-074__
NOTE (3)



BROKEN-OUT SECTION A-A
SCALE 2:1



SECTION C-C

mat'l code		SEE NOTE 2		tolerances unless otherwise specified		CUSTOMER		FCI		www.fciconnect.com	
ltr	ecn no.	dr	date	linear	.XX±.01/0.X±0.3	COPY		title		100S	
C					.XXX±.005/0.XX±0.13	projection		R/A STB HEADER		code	
				angles	.XXX±.0020/0.XXX±0.051			product family		PwrBlade	
				dr	JM Guo 08/24/05	INCH/MM		size		213	
				engr	LUOS 08/24/05	scale		dwg no		sheet	
				chr	VICTOR LIN 08/24/05	1:1		51952-074		2 of 4	
				appd	JOSEPH HSIA 08/24/05						
sheet index	revision sheet										

cage code 22526

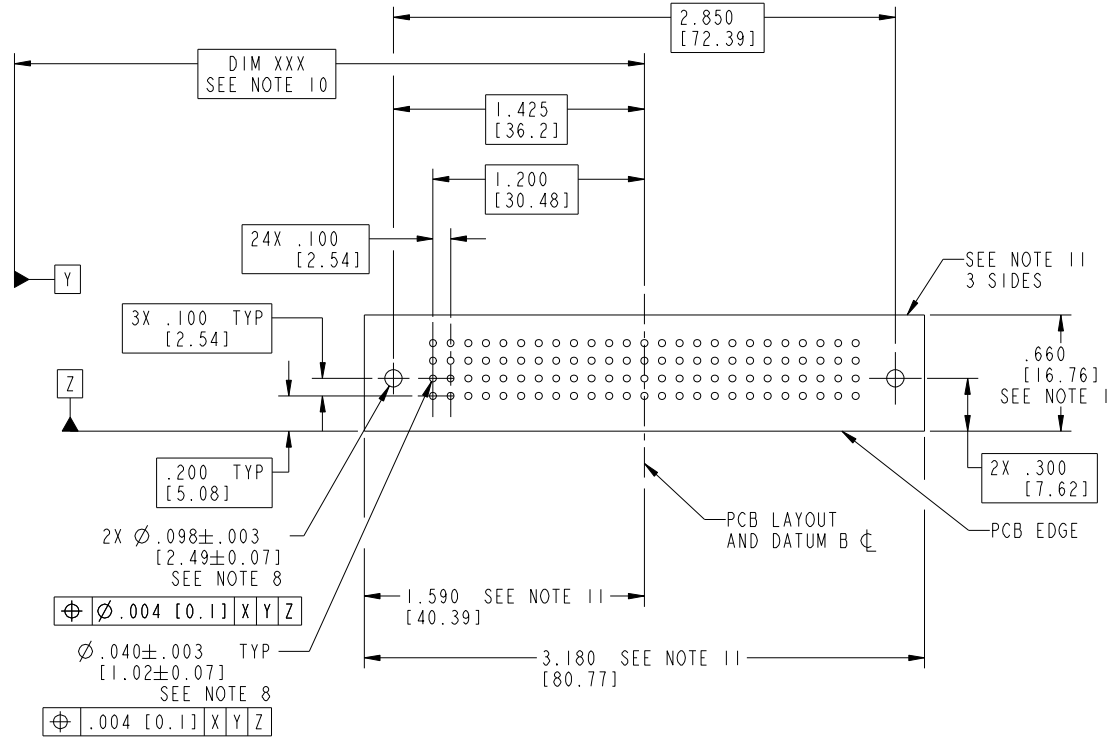
Pro/E

Tous droits strictement reserves. Reproduction ou communication a des tiers interdite sous quelque forme que ce soit sans autorisation écrite du propriétaire. Propriete de c FCI. Droits de reproduction FCI.



All rights strictly reserved. Reproduction or issue to third parties in any form whatever is not permitted without written authority from the proprietor. Property of FCI. Copyright FCI.

PRODUCT NUMBER
51952-074__
NOTE (3)



RECOMMENDED PCB LAYOUT

mat'l code		SEE NOTE 2		tolerances unless otherwise specified		CUSTOMER		FCI		www.fciconnect.com	
ltr	ecn no.	dr	date	linear	.XX±.01/0.X±0.3	COPY		projection		title	
C					.XXX±.005/0.XX±0.13	A		100S		R/A STB HEADER	
				angles	.XXX±.0020/0.XXX±0.051	INCH/MM		product family		code	
				dr	0°±2°	A		PwrBlade		213	
				enrg	JM Guo 08/24/05	scale		size		sheet	
				chr	LUOS 08/24/05	1:1		dwg no		3 of 4	
				appd	VICTOR LIN 08/24/05	A		51952-074			
					JOSEPH HSIA 08/24/05						
sheet index	revision sheet										

cage code 22526

Pro/E

Tous droits strictement réservés. Reproduction ou communication a des tiers interdite sous quelque forme que ce soit sans autorisation écrite du propriétaire. Propriété de c FCI. Droits de reproduction FCI.



All rights strictly reserved. Reproduction or issue to third parties in any form whatever is not permitted without written authority from the proprietor. Property of FCI. Copyright FCI.

PRODUCT NUMBER
51952-074__
NOTE (3)

NOTES:

1. DIMENSIONS AND TOLERANCES ARE IN ACCORDANCE WITH ASME Y14.5M, 1994 UNLESS OTHERWISE SPECIFIED.

CONNECTOR NOTES:

- (2.) HOUSING MATERIAL: UL 94 V-0 GLASS FILLED HIGH-TEMP THERMOPLASTIC
POWER CONTACT MATERIAL: COPPER ALLOY
SIGNAL PIN MATERIAL: COPPER ALLOY
- 3. 51952-074;51952-074LF;51952-074GLF PLATING SPEC. SEE PRINT:10064183
- (4.) MANUFACTURER'S NAME, P/N, AND DATE CODE TO APPEAR ON THIS SURFACE.
- 5. PRODUCT SPECIFICATION GS-12-149.
APPLICATION SPECIFICATION BUS-20-067.
- 6. PACKAGED IN TRAYS.

PCB NOTES:

- 7. ALL HOLE DIAMETERS ARE FINISHED HOLE SIZE.
- (8.) MOUNTING HOLES, WHERE APPLICABLE, ARE UNPLATED.
- (9.) $\varnothing .0453 \pm .0010$ [1.151 \pm 0.025] DRILLED HOLES PLATED WITH
.0003 [0.008] MIN SnPb OR Sn OVER .001 [0.03]
TO .003 [0.08] Cu PLATING TO ACHIEVE
 $\varnothing .040 \pm .003$ [1.02 \pm .07] HOLE.
- (10.) "DIM XXX" TO BE DETERMINED BY THE CUSTOMER.
- (11.) CONNECTOR KEEP-OUT ZONE.

mat'l code		SEE NOTE 2		tolerances unless otherwise specified		CUSTOMER		FCI www.fciconnect.com	
ltr	ecn no.	dr	date	linear	.XX±.01/0.X±0.3	COPY		title	
C					.XXX±.005/0.XX±0.13	projection		100S R/A STB HEADER	
				angles	.XXX±.0020/0.XXX±0.051	INCH/MM		product family	
				dr	0°±2°	scale		PwrBlade	
				enr	JM Guo 08/24/05	1:1		code	
				chr	LUOS 08/24/05	A		213	
				appd	VICTOR LIN 08/24/05			size	
					JOSEPH HSIA 08/24/05			dwg no	
sheet index	revision sheet							51952-074	
								sheet	
								4 of 4	

cage code 22526

Pro/E