

THIS DRAWING IS UNPUBLISHED.

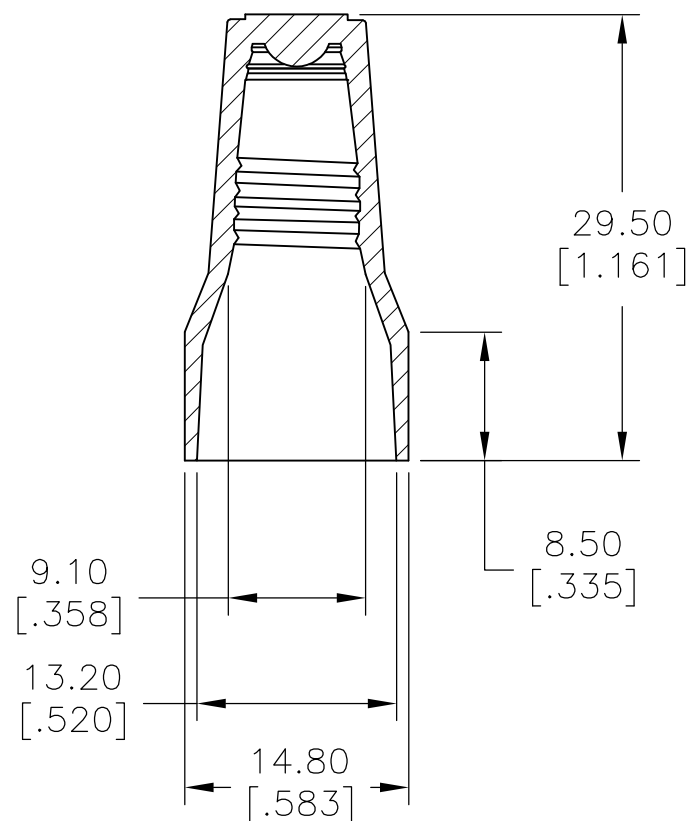
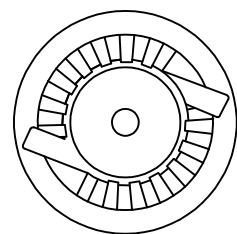
RELEASED FOR PUBLICATION

© COPYRIGHT - By -

ALL RIGHTS RESERVED.

REVISIONS

P	LTR	DESCRIPTION	DATE	DWN	APVD
	A	NEW DRAWING	13JAN2016	NK	RH



- 1 WORKING TEMPERATURE: 105° C
- 2 VOLTAGE: 600V MAX.
- 3 COLOR: RED
- 4 WIRE RANGE: #22-#6AWG MAX.1#8
W/3#12 STR MIN.3#20
- 5 SPRING INSERT: STEEL

2299512-1 AS SHOWN

THIS DRAWING IS A CONTROLLED DOCUMENT.		DWN NAGALAKSHMI K 13JAN2016	TE Connectivity				
DIMENSIONS: mm [INCHES]		CHK HILL RYAN 13JAN2016					
TOLERANCES UNLESS OTHERWISE SPECIFIED:		APVD HILL RYAN 13JAN2016	NAME				
		PRODUCT SPEC	CPGI-WC-CG-RD-BULK				
		APPLICATION SPEC	RESTRICTED TO				
MATERIAL UL 94V-2 FLAME-RETARDANT THERMOPLASTIC SHELL		FINISH -	WEIGHT -	SIZE A3	CAGE CODE 00779	DRAWING NO C-2299512	RESTRICTED TO -
CUSTOMER DRAWING			SCALE 2:1	SHEET 1 OF 1	REV A		