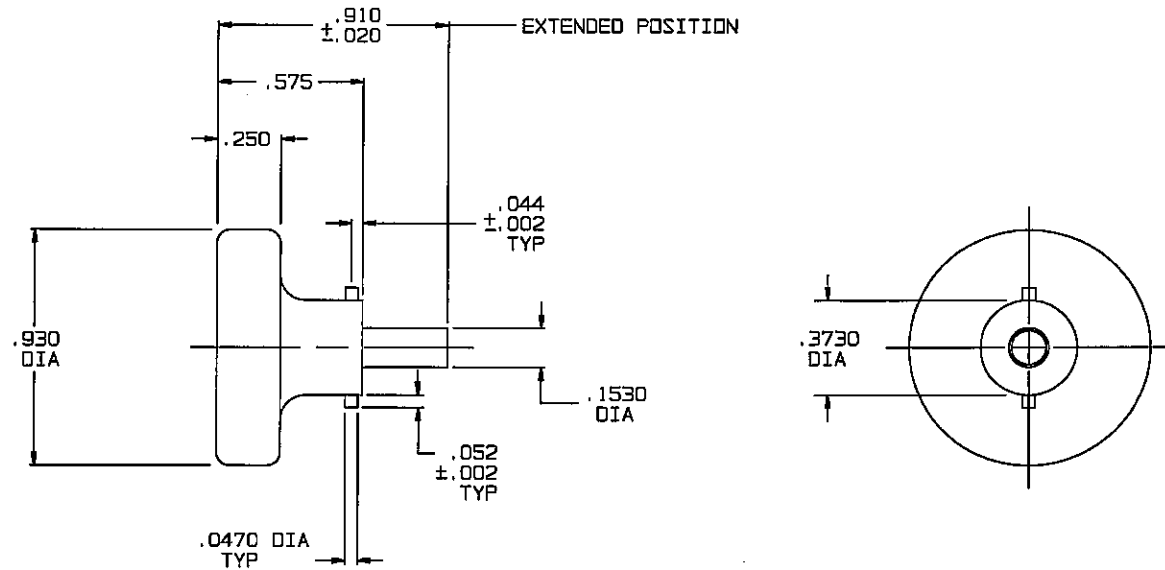
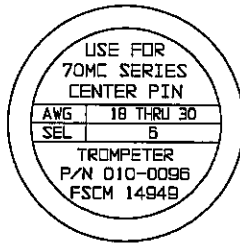


RED INDICATES ORIGINAL

DATA CONTAINED IN THIS DOCUMENT IS PROPRIETARY TO TROMPETER ELECTRONICS, INC. AND SHALL NOT BE DISCLOSED, COPIED OR USED FOR PROCUREMENT OR MANUFACTURE WITHOUT EXPRESS WRITTEN PERMISSION.

REVISIONS			010-0096		SH 1
REV	EO	DESCRIPTION	DWN	APPROVED	DATE
B	12137	DIM .0470 DIA TYP WAS .0530 DIA TYP; SEE ECO	DBN	<i>Bm, Jcl</i>	8/7/97



2. FINISH: BODY; TFS-1A (NICKEL)
LOCK PINS AND LOCATOR; PASSIVATE
1. ALL DIMENSIONS ARE IN INCHES

QTY	DESCRIPTION		PART NUMBER	ITEM
TOL UNLESS SPECIFIED		TROMPETER ELECTRONICS, INC.	POSITIONER, CONTACTS, 70MC SERIES (M22520/2-01)	
.XX ± .XXX ±.010 .XXXX ±.0020 ANGLE±				
DWN	DBN	8/1/97	MATERIAL	CODE IDENT
CHK	<i>Bm</i>	8-7-97	14949	DRAWING NO.
ENGR				010-0096
APPR	<i>FR</i>	8/7/97	SCALE 2/1	DATE 12-21-93
NEXT ASSY				SHEET 1 OF 3