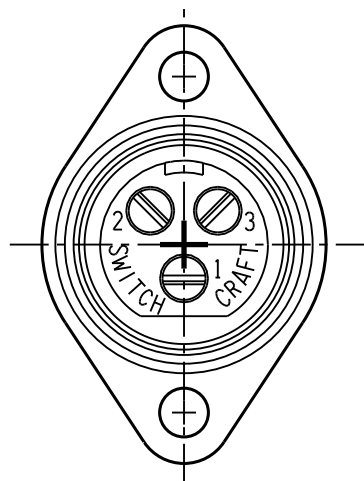
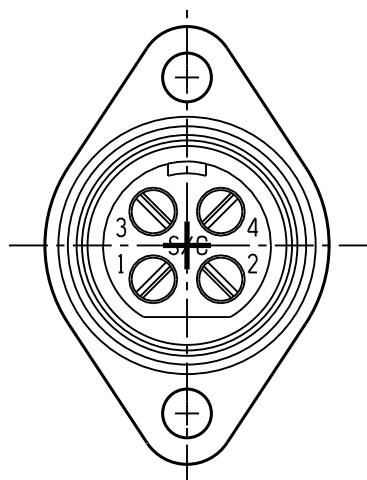


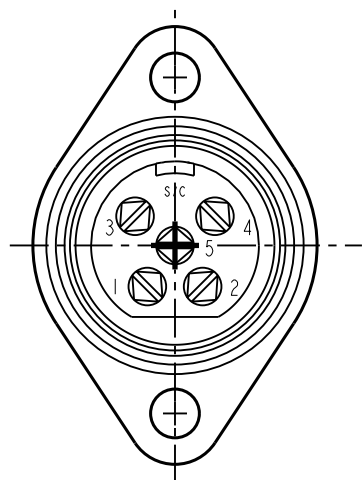
SL102F



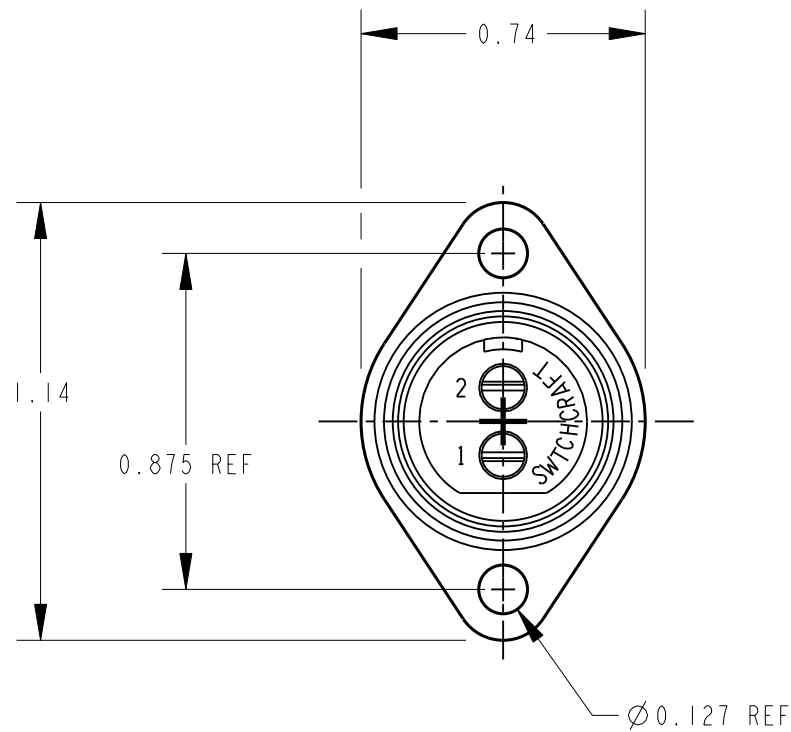
SL103F



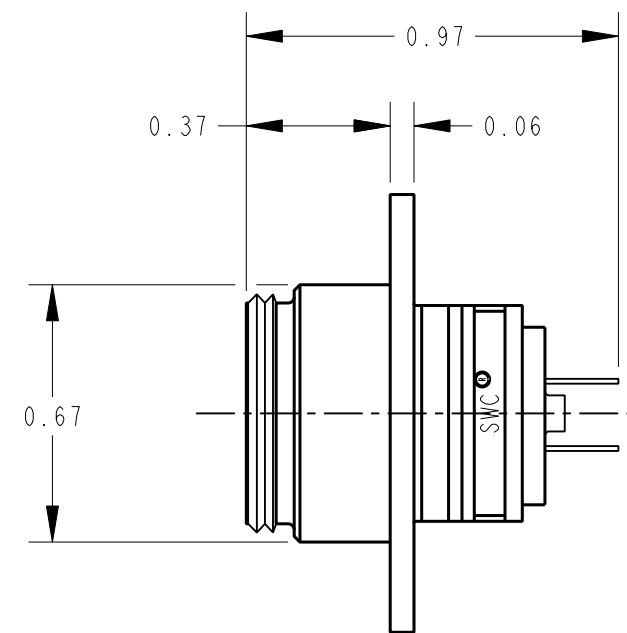
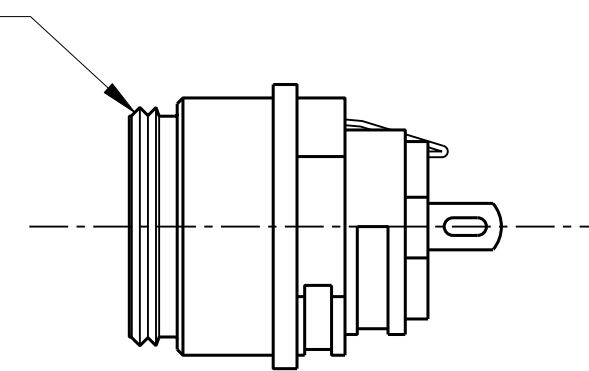
SL104F



SL105F



5/8-27 UNS-2A THREAD



CUSTOMER DRAWING

NOTES:

1. HOUSING AND PIN ASSEMBLY SHIPPED UNASSEMBLED.
2. MATERIALS:
HOUSING - DIE CAST, NICKEL PLATED
INSERT - GLASS REINFORCED THERMOPLASTIC, BLACK
CONTACTS - COPPER ALLOY, SILVER PLATED
LATCH - STEEL, NICKEL PLATED
3. THESE PRODUCTS ARE RoHS COMPLIANT.

REV	ECO NUMBER	DATE	BY	APVD
G	22318	1-10-11	TJK	TJK
REVISIONS				

- ★ STAR SYMBOL DENOTES CRITICAL DIMENSION
- UNLESS OTHERWISE SPECIFIED
- 1. ALL DIMENSIONS IN INCHES
- TWO PLACE DECIMALS ±0.01
- THREE PLACE DECIMALS ±0.005
- ANGLES ±1°
- ALL DIA. CONCENTRIC WITHIN 0.005 T.I.R.
- 2. FEATURES ON THE SAME CENTERLINE MUST BE ALIGNED WITHIN ±0.002
- 3. REMOVE ALL BURRS

DO NOT SCALE DRAWING

THIS DRAWING DESCRIBES A DESIGN CONSIDERED PROPRIETARY IN NATURE, DEVELOPED AND MANUFACTURED BY SWITCHCRAFT INC. AND IS RELEASED ON A CONFIDENTIAL BASIS FOR IDENTIFICATION PURPOSES ONLY.				
SIZE	WIDTH	MULT	LBS/M	TEMPER
FINISH		MATERIAL		
SPEC No.		SPEC No.		
FIRST USED ON		SCALE		
		2:1		
DATE DRAWN	BY	CHKD	APVD	
03-Feb-10	TJK	TJK	TJK	
		2-3-10	2-3-10	
NAME SLIM-LINE FEMALE FLANGE MOUNT CONNECTOR				REV
PART No. SL10_F SERIES				G

