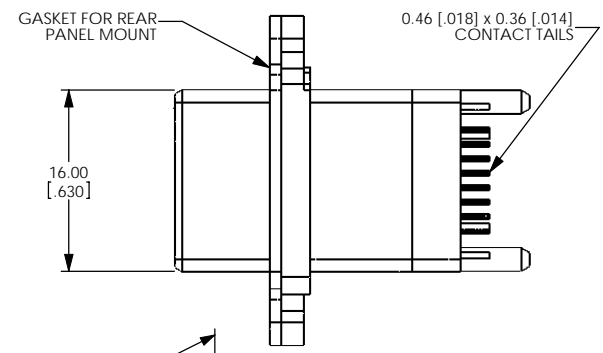
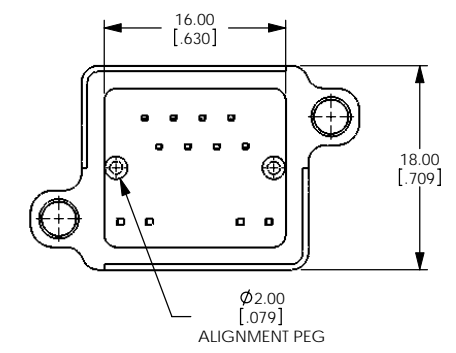
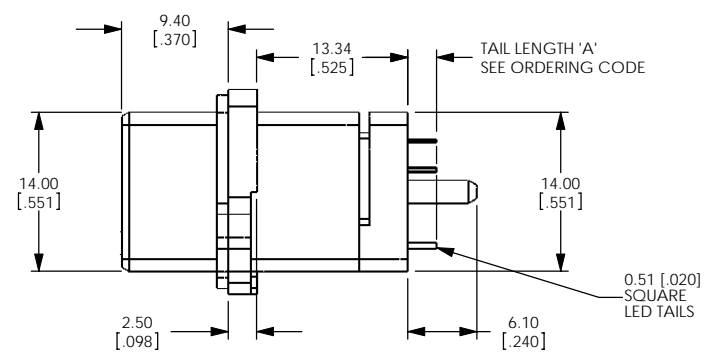
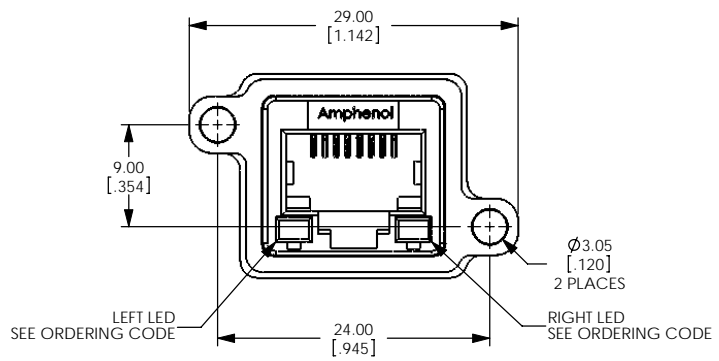
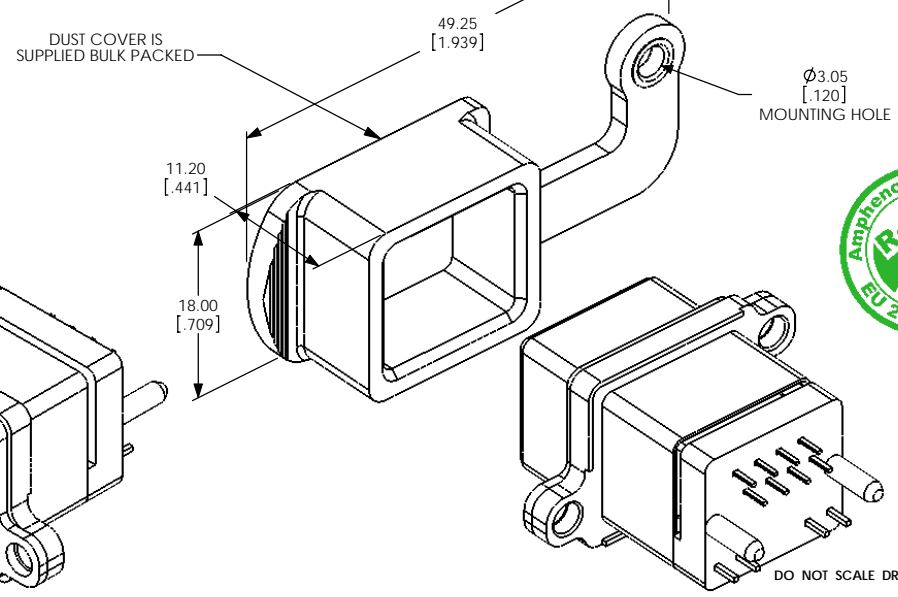


REVISIONS			
REV	ECN, ERN NO.	DATE	APPRD.
A	PRODUCT DWG PER EAR 13132	AUG01/07	K.L.



ORDERING CODE: **MRJ - 5 1 8 X - X B**

- SERIES, RUGGED RJ
- RECEPTACLE
- VERTICAL MOUNT WITH DUST COVER SUPPLIED
- NUMBER OF CONTACTS
- LED OPTION
 - 0=NONE
 - 1=GREEN LEFT, YELLOW RIGHT
 - 4=YELLOW LEFT, GREEN RIGHT
 - 5=GREEN LEFT, GREEN RIGHT
- CONTACT TAIL OPTION
 - 0: TAIL LENGTH A=2.54 [.100]
 - B: TAIL LENGTH A=3.81 [.150]
- SINGLE PORT WITH GASKET FOR REAR PANEL MOUNT



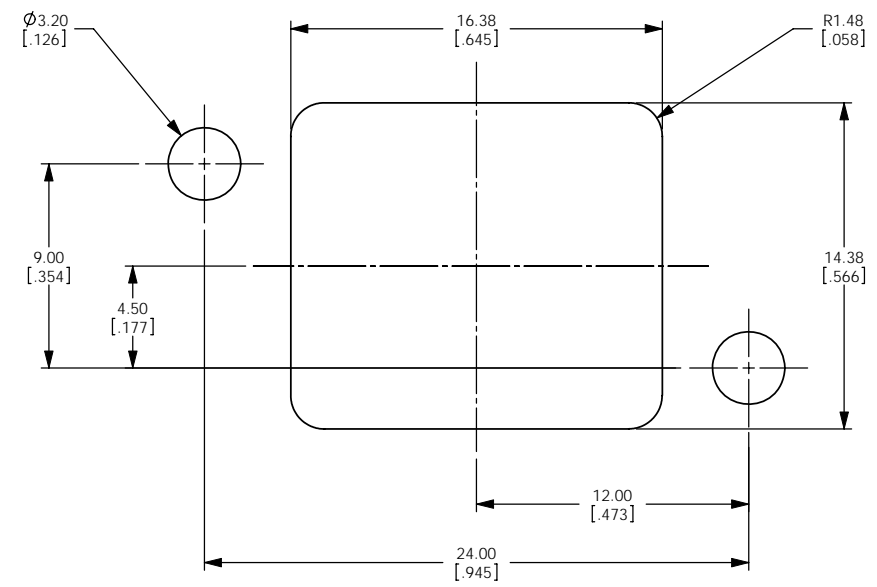
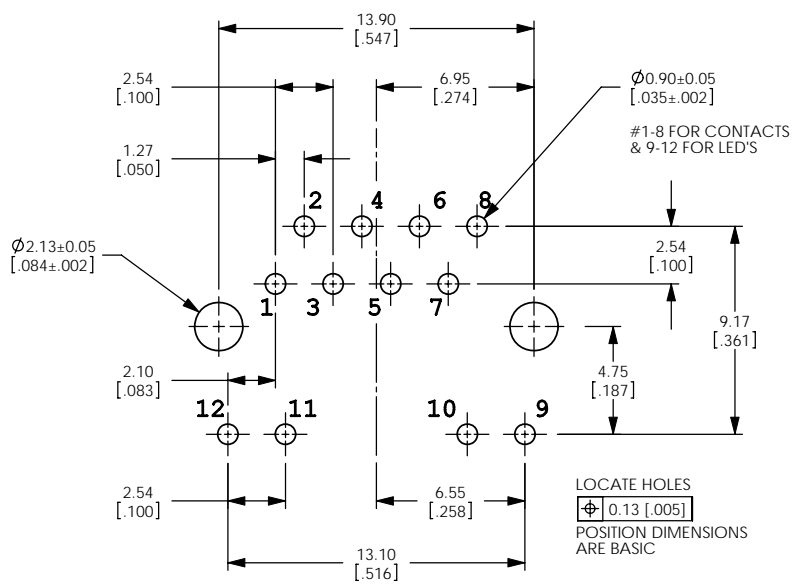
NOTES:

- MATERIAL: ALL MATERIALS ARE RoHS COMPLIANT PER EU DIRECTIVE 2002/95/EC AND AMENDMENTS
 - SHELL - DIECAST ZINC, NICKEL PLATED
 - CONTACTS - PHOSPHOR BRONZE WITH 50 MICROINCHES (1.27 MICRONS) GOLD OVER 50 MICROINCHES (1.27 MICRONS) MINIMUM NICKEL ON THE MATING AREA AND GOLD OVER NICKEL ON THE CONTACT TAILS.
 - INSERTS - ENGINEERING THERMOPLASTIC, UL FLAMMABILITY RATING 94V-0, REAR INSERTS: BLACK, FRONT INSERT: CLEAR
 - LED'S - EPOXY LENS, STEEL TAILS WITH TIN PLATING
 - GASKET & DUST COVER - SILICONE RUBBER
- ENVIRONMENTAL PERFORMANCE PER IEC 60529 CODE IP67 FOR SEAL BETWEEN MATING AREA AND PCB SIDE OF CONNECTOR. GASKET PROVIDES FOR SEAL TO INSIDE FACE OF PANEL. SUPPLIED DUST COVER PROVIDES ADDITIONAL PROTECTION.
- CURRENT RATING: 1.5 AMPERES
- CONTACT RESISTANCE: 30 MILLIOHMS MAXIMUM
- OPERATING TEMPERATURE: -40C TO +105C

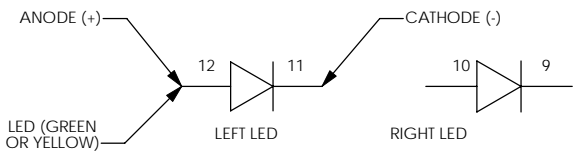
UNLESS OTHERWISE SPECIFIED DIMENSIONS ARE IN MILLIMETERS TOLERANCES ARE:		APPROVALS		DATE		Amphenol Canada Corp.	
DECIMALS	ANGLES	DRAWN: A.DODDS		JUL20/07		MRJ SERIES RUGGED MODULAR JACK, 8 POSITION VERTICAL, LED & TAIL LENGTH OPTIONS, REAR PANEL MOUNT, DUST COVER, RoHS COMPLIANT	
XX ±	XXX ±	DESIGNED:					
MATERIAL AND FINISH		CHECKED: K.LAMBIE		AUG01/07			
DR.APP'D:							
DWG NO: EAR 13132		E.APP'D:				C.P.MRJ-518X-XB	
CODE IDENT NO:		DWG APP'D:		SCALE: 3:1		REV: A	
						1 OF 2	

THIS DOCUMENT CONTAINS PROPRIETARY INFORMATION AND SUCH INFORMATION MAY NOT BE DISCLOSED TO OTHERS FOR ANY PURPOSE OR USED FOR MANUFACTURING PURPOSES WITHOUT PERMISSION FROM AMPHENOL CANADA CORP.

REVISIONS			
REV	ECN, ERN NO.	DATE	APPRD.
A	PRODUCT DWG PER EAR 13132	AUG01/07	K.L.



RECOMMENDED PANEL CUTOUT
(FRONT OF PANEL)



RECOMMENDED P.C.B. LAYOUT
(COMPONENT SIDE OF BOARD)



DO NOT SCALE DRAWING

THIS DOCUMENT CONTAINS PROPRIETARY INFORMATION AND SUCH INFORMATION MAY NOT BE DISCLOSED TO OTHERS FOR ANY PURPOSE OR USED FOR MANUFACTURING PURPOSES WITHOUT PERMISSION FROM AMPHENOL CANADA CORP.

UNLESS OTHERWISE SPECIFIED DIMENSIONS ARE IN MILLIMETERS TOLERANCES ARE:	APPROVALS	DATE	Amphenol Canada Corp.
DECIMALS .XX ± ANGLES ± ° XXX ±	DRAWN A.DODDS DESIGNED	JUL20/07	
MATERIAL AND FINISH	CHECKED K.LAMBE DRAWN	AUG01/07	MJRJ SERIES RUGGED MODULAR JACK, 8 POSITION VERTICAL, LED & TAIL LENGTH OPTIONS, REAR PANEL MOUNT, DUST COVER, RoHS COMPLIANT
DWG. NO. EAR 13132	E. APPD		DWG. NO. C P-MRJ-518X-XB
CODE IDENT. NO.	DWG. APPD		SCALE 6:1 PROJECT SHEET 2 OF 2