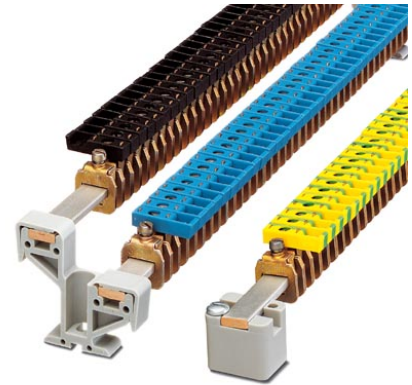


AKG 4 GNYE

Order No.: 0421029

The illustration shows a combination of versions AKG 4 BK, AKG 4 BU and AKG 4 GNYE



<http://eshop.phoenixcontact.de/phoenix/treeViewClick.do?UID=0421029>

Power terminal block, Load current : 41 A, Cross section: 0.5 mm² - 6 mm², Width: 7 mm, Color: green-yellow

Commercial data

EAN	4017918001926
Pack	50 pcs.
Customs tariff	85369010
Weight/Piece	0.00548 KG
Catalog page information	Page 710 (CL-2009)

Product notes

WEEE/RoHS-compliant since:
02/01/2005



<http://www.download.phoenixcontact.com>
Please note that the data given here has been taken from the online catalog. For comprehensive information and data, please refer to the user documentation. The General Terms and Conditions of Use apply to Internet downloads.

Technical data

General

Color	green-yellow
Insulating material	PA
Inflammability class acc. to UL 94	V2

Dimensions

Length	23.5 mm
Width	7 mm

Technical data

Maximum load current	41 A (with 6 mm ² conductor cross section)
Nominal current I _N	41 A

Connection data

Conductor cross section solid min.	0.5 mm ²
Conductor cross section solid max.	6 mm ²
Conductor cross section stranded min.	0.5 mm ²
Conductor cross section stranded max.	4 mm ²
Conductor cross section AWG/kcmil min.	20
Conductor cross section AWG/kcmil max	10
Conductor cross section stranded, with ferrule without plastic sleeve min.	0.5 mm ²
Conductor cross section stranded, with ferrule without plastic sleeve max.	6 mm ²
Conductor cross section stranded, with ferrule with plastic sleeve min.	0.5 mm ²
Conductor cross section stranded, with ferrule with plastic sleeve max.	6 mm ²
2 conductors with same cross section, solid min.	0.5 mm ²
2 conductors with same cross section, solid max.	2.5 mm ²
2 conductors with same cross section, stranded min.	0.5 mm ²
2 conductors with same cross section, stranded max.	2.5 mm ²
2 conductors with same cross section, stranded, ferrules without plastic sleeve, min.	0.5 mm ²
2 conductors with same cross section, stranded, ferrules without plastic sleeve, max.	2.5 mm ²
2 conductors with same cross section, stranded, TWIN ferrules with plastic sleeve, min.	0.5 mm ²
2 conductors with same cross section, stranded, TWIN ferrules with plastic sleeve, max.	2.5 mm ²
Stripping length	16 mm
Screw thread	M4
Tightening torque, min	1.5 Nm

Tightening torque max	1.8 Nm
-----------------------	--------

Certificates / Approvals



Certification CUL, GOST, UL

CUL

Nominal voltage U_N	300 V
Nominal current I_N	20 A
AWG/kcmil	22-12

UL

Nominal voltage U_N	300 V
Nominal current I_N	20 A
AWG/kcmil	22-12

Accessories

Item	Designation	Description
Assembly		
0404428	AB/SS	Support made of insulating material, with retaining screw, for use with either 3 x 10 mm or 6 x 6 mm busbar, color: gray
0404431	AB2/SS	Double support, insulating material, optionally for use with 3 mm x 10 mm or 6 mm x 6 mm busbar, height: 48 mm
0404460	ABN 2/SS	Double support, insulating material, optionally for use with 3 mm x 10 mm or 6 mm x 6 mm busbar, height: 36.8 mm
0402174	NLS-CU 3/10 SN 1000MM	PEN conductor busbar, 3mm x 10 mm, length: 1000 mm
3032431	UAB 1	Support, Width: 2 mm, Color: blue

Marking

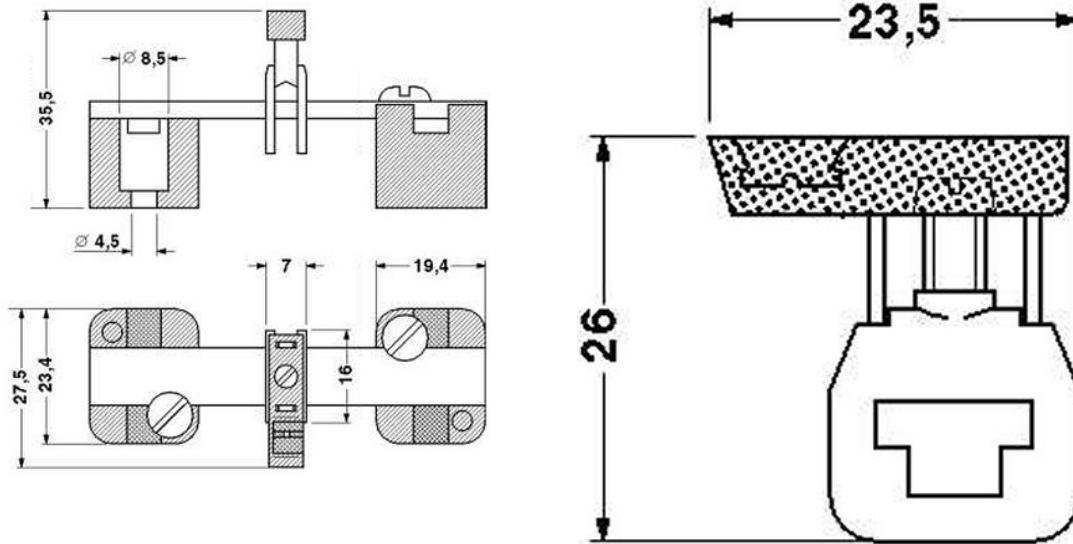
1050004	ZB 5 :UNBEDRUCKT	Zack strip, unprinted, 10-section, for individual labeling with M-PEN, ZB-T or CMS system, pack is sufficient for 100 terminal blocks, for a terminal width of 5.2 mm, color: White
---------	------------------	---

Tools

1205053	SZS 0,6X3,5	Screwdriver, bladed, matches all screw terminal blocks up to 4.0 mm ² connection cross section, blade: 0.6 x 3.5 mm, without VDE approval
---------	-------------	--

Diagrams/Drawings

Dimensioned drawing



Address

PHOENIX CONTACT Inc., USA
586 Fulling Mill Road
Middletown, PA 17057, USA
Phone (800) 888-7388
Fax (717) 944-1625
<http://www.phoenixcon.com>



© 2010 Phoenix Contact
Technical modifications reserved;