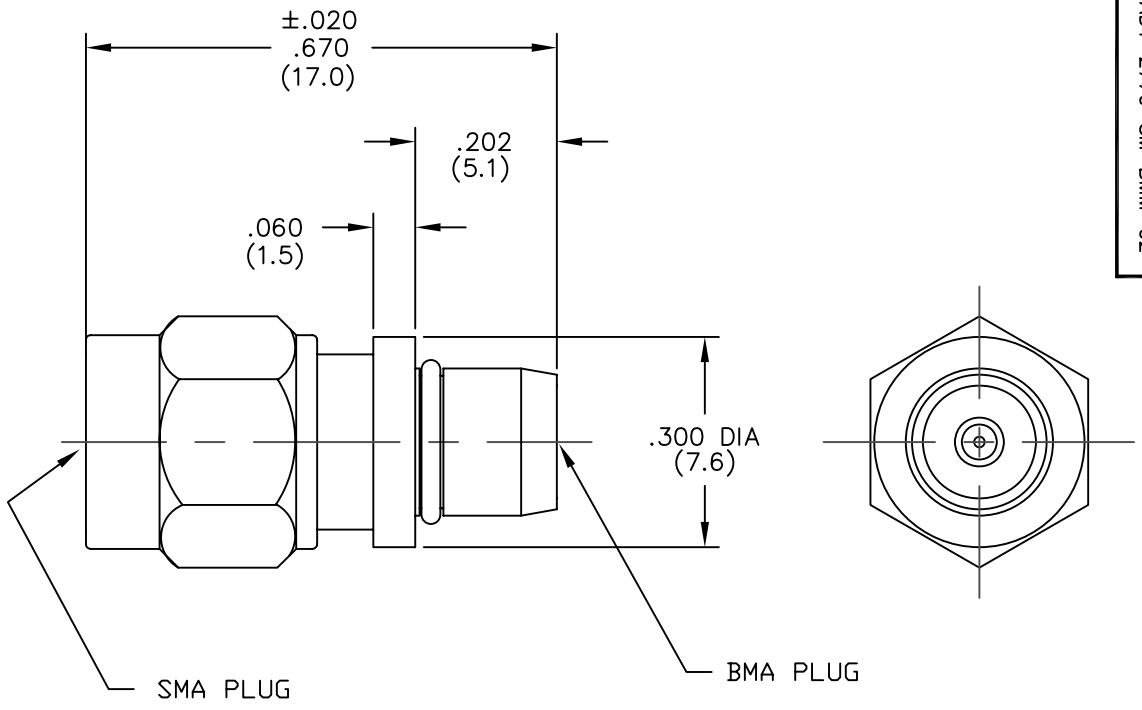


MODEL NUMBER
ADT-2770-SM-BMM-02

NOTES:

- 1.0 MATERIALS:
 - 1.1 HOUSING AND COUPLING NUT: STAINLESS STEEL PER QQ-S-764 AND ASTM-A-582, TYPE 303.
 - 1.2 CENTER CONTACT: BERYLLIUM COPPER ROD ALLOY C172, PER QQ-C-530.
 - 1.3 DIELECTRIC: PTFE FLUOROCARBON PER MIL-P-19468 AND L-P-403
- 2.0 PLATING:
 - 2.1 HOUSING AND COUPLING NUT: PASSIVATED PER QQ-P-35 AND MIL-F-14072.
 - 2.2 CENTER CONTACT: GOLD PER MIL-G-45204 TYPE II, CLASS 2
- 3.0 MECHANICAL:
 - 3.1 INTERFACE PER MIL-STD-348 IN ACCORDANCE WITH MIL-C-39012.
 - 3.2 CENTER CONTACT CAPTURED IN ACCORDANCE WITH MIL-A-55339.
- 4.0 DIMENSIONS IN PARENTHESIS ARE MILLIMETERS.
- 5.0 ELECTRICAL:
 - 5.1 FREQUENCY RANGE: DC to 18GHz
 - 5.2 MAX V.S.W.R.: 1.05+0.005 (GHz)



(OLD MODEL #'S 2770 & ADT-2770-MM-000-02)

REV.	DESCRIPTION	DATE
-	RELEASED	9/12/90
-1	CHANGE MODEL #	1/8/91
A	ECN 17697	11/3/00

NOTICE: The information contained in this drawing is proprietary and must not be used without the permission of Emerson Network Power. UNLESS OTHERWISE NOTED DIMENSIONS ARE IN INCHES AND TOLERANCES ARE: 3 PLACE DECIMALS $\pm .005$ 2 PLACE DECIMALS $\pm .02$ FRACTIONS $\pm 1/64$ PARALLELITY: T.I.R. _____ FLATNESS: T.I.R. _____ CONCENTRICITY: T.I.R. _____ ANGLES AND PERPENDICULARITY: $\pm 1'$	CAGE CODE 34078	MIDWEST MICROWAVE
	EMERSON Network Power Connectivity Solutions	
DRAWN/DATE D.SIEWERT 9/12/90	ENG./DATE A.BEATTY 9/20/90	TITLE SMA MALE TO BMA MALE ADT OUTLINE DRAWING
CHECKED/DATE J. W. 9/13/90	APPROVED/DATE T.GORDON 9/20/90	DRAWING NUMBER ADT-2770-SM-BMM-02-01
SCALE: 5=1		SHEET 1 of 1
		REV. A