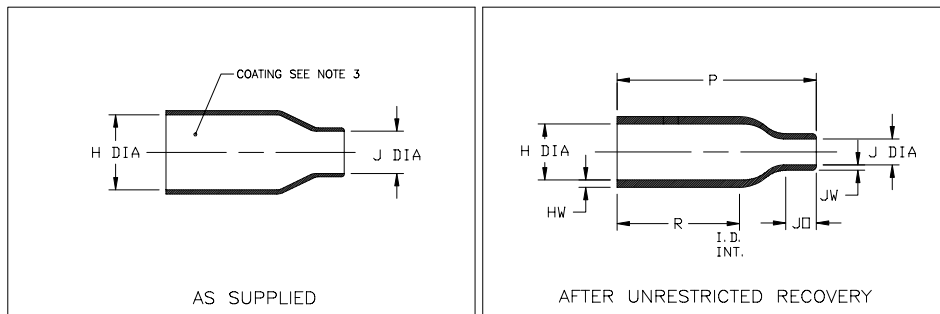


Molded Parts Specification Control Drawing

Part Number : 208A0XX-X-05
Description : Boot, Straight, Heavy Wall

NOTES

- All dimensions are in $\frac{\text{inches}}{\text{[millimeters]}}$
- Dimensions appearing in table are as follows:
 - a - As Supplied
 - b - After Unrestricted Recovery
- Coating is optional. As supplied dimensions appearing in table are for uncoated parts. When coating is added, entry diameters will be reduced by .06 max.



PART NUMBER	H		J		±10% b	R Ref b	JO Ref b	HW ±20% b	JW ±20% b
	Min	Max	Min	Max					
	a	b	a	b					
208A021-X-05	$\frac{1.10}{[27.9]}$	$\frac{.41}{[10.4]}$	$\frac{.34}{[8.6]}$	$\frac{.12}{[3.0]}$	$\frac{1.51}{[38.4]}$	$\frac{.84}{[21.3]}$	$\frac{.29}{[7.4]}$	$\frac{.06}{[1.52]}$	$\frac{.04}{[1.02]}$
208A032-X-05	$\frac{1.45}{[36.8]}$	$\frac{.56}{[14.2]}$	$\frac{.44}{[11.2]}$	$\frac{.16}{[4.1]}$	$\frac{2.12}{[53.8]}$	$\frac{1.36}{[34.5]}$	$\frac{.29}{[7.4]}$	$\frac{.08}{[2.03]}$	$\frac{.05}{[1.27]}$

tyco Electronics
TYCO ELECTRONICS
307 CONSTITUTION DRIVE
MENLO PARK, CALIFORNIA 94025

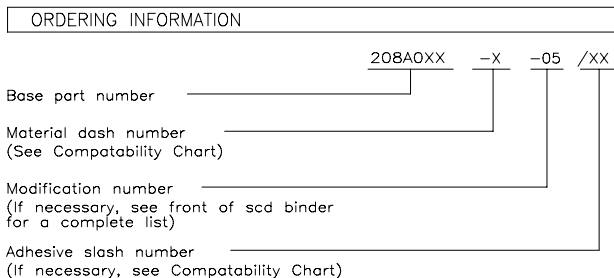
Revision : A
Date : 10/8/02

Part Number : 208A0XX-X-05
Description : Boot, Straight, Heavy Wall

Molded Parts Specification Control Drawing

Part Number : 208A0XX-X-05
Description : Boot, Straight, Heavy Wall

MATERIAL DASH NO.	MATERIAL DESCRIPTION	RT SPEC	COATING SLASH NO.	COATING S NO.	COATING DESCRIPTION
-3	Polyolefin, Semi-rigid	RT-301	/42;/86	S-1017;S-1048	Adhesive
-4	Polyolefin, Flexible	RT-1304	/42;/86	S-1017;S-1048	Adhesive



THIS DRAWING IS SUBJECT TO CHANGE WITHOUT NOTICE; CONSULT YOUR NEAREST FIELD REPRESENTATIVE FOR CURRENT REVISION

**If this document is printed it becomes uncontrolled.
Check for the latest revision.**

tyco Electronics
TYCO ELECTRONICS
307 CONSTITUTION DRIVE
MENLO PARK, CALIFORNIA 94025

Revision : A
Date : 10/8/02

Part Number : 208A0XX-X-05
Description : Boot, Straight, Heavy Wall

CAD FILE MP02129