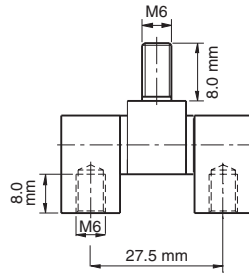
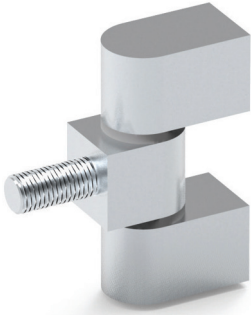


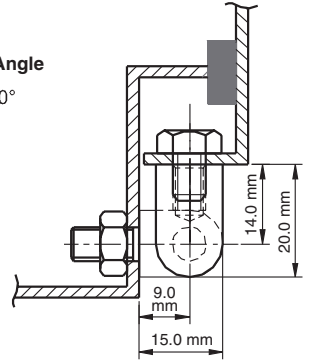


SIDE HINGE (12 mm)

Version 1



Hinge Rotation Angle

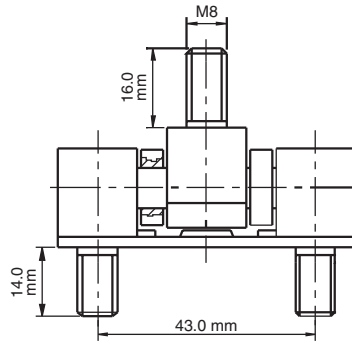
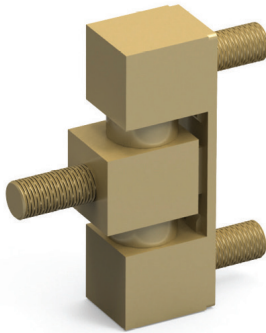


Specifications
• Material: Brass

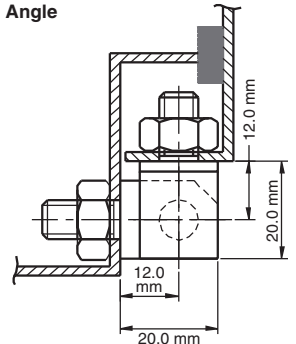
- Features
- Side-mounted hinge
 - Brass 12 mm parts and bearings
 - Parts tightly fitted

SIDE HINGE (16 mm)

Version 2



Hinge Rotation Angle

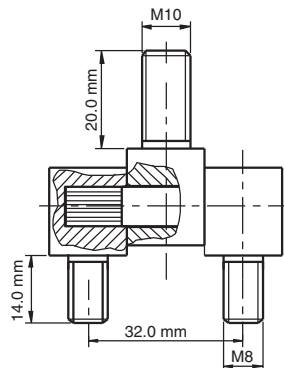
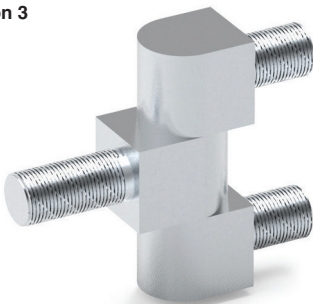


Specifications
• Material: Brass

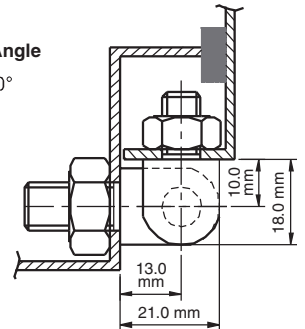
- Features
- Side-mounted hinge
 - Brass 16 mm parts and bearings
 - Parts assembled by installation plate

SIDE HINGE (16 mm)

Version 3



Hinge Rotation Angle



Specifications
• Material: Brass

- Features
- Side-mounted hinge
 - Brass 16 mm parts
 - Parts tightly fitted

Item Number	Hinge Rotation	Material	Finish	Thread	Version
19231	180°	Brass	Chrome	M6	1
09330	100°	Brass	Brass	M8	2
09331	100°	Brass	Chrome	M8	2
19331	180°	Brass	Chrome	M10	3