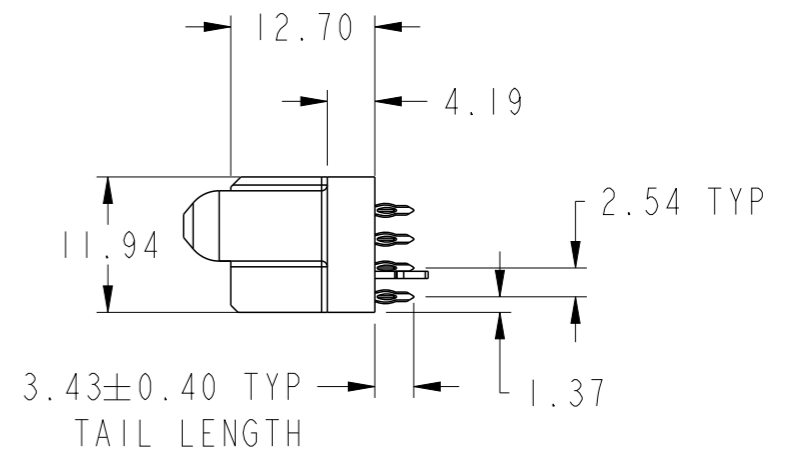
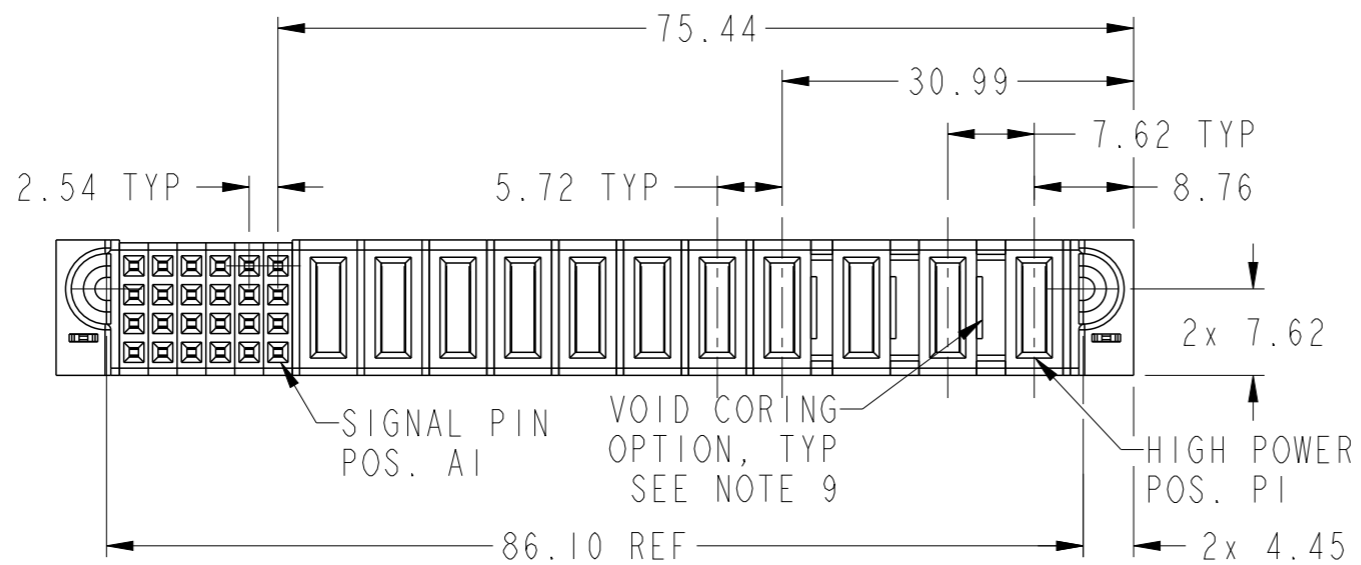
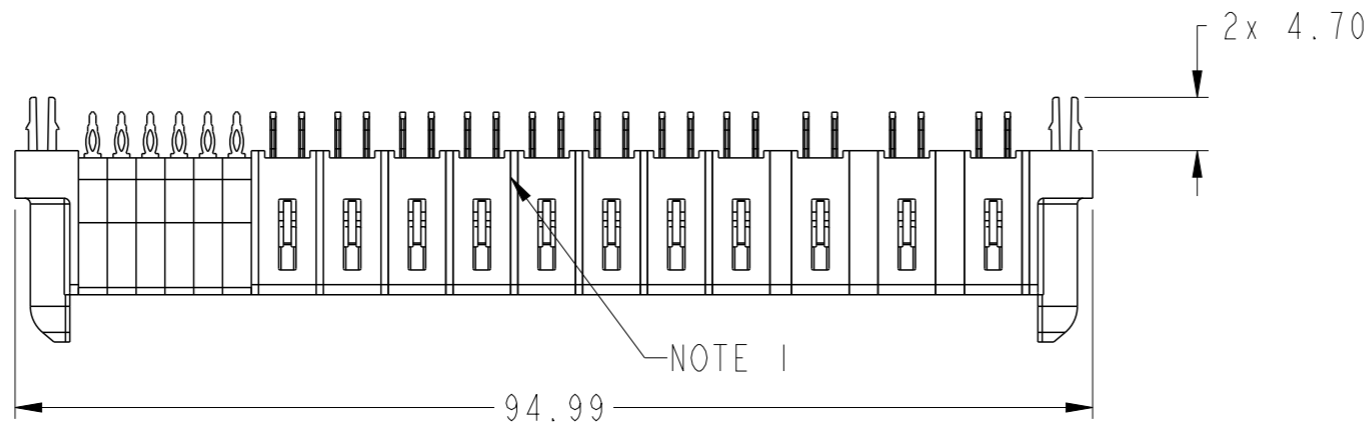
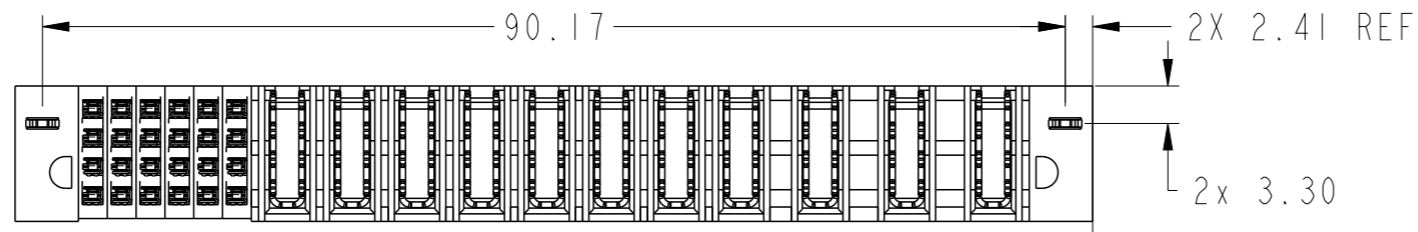


PRODUCT NUMBER SEE SHEET 2



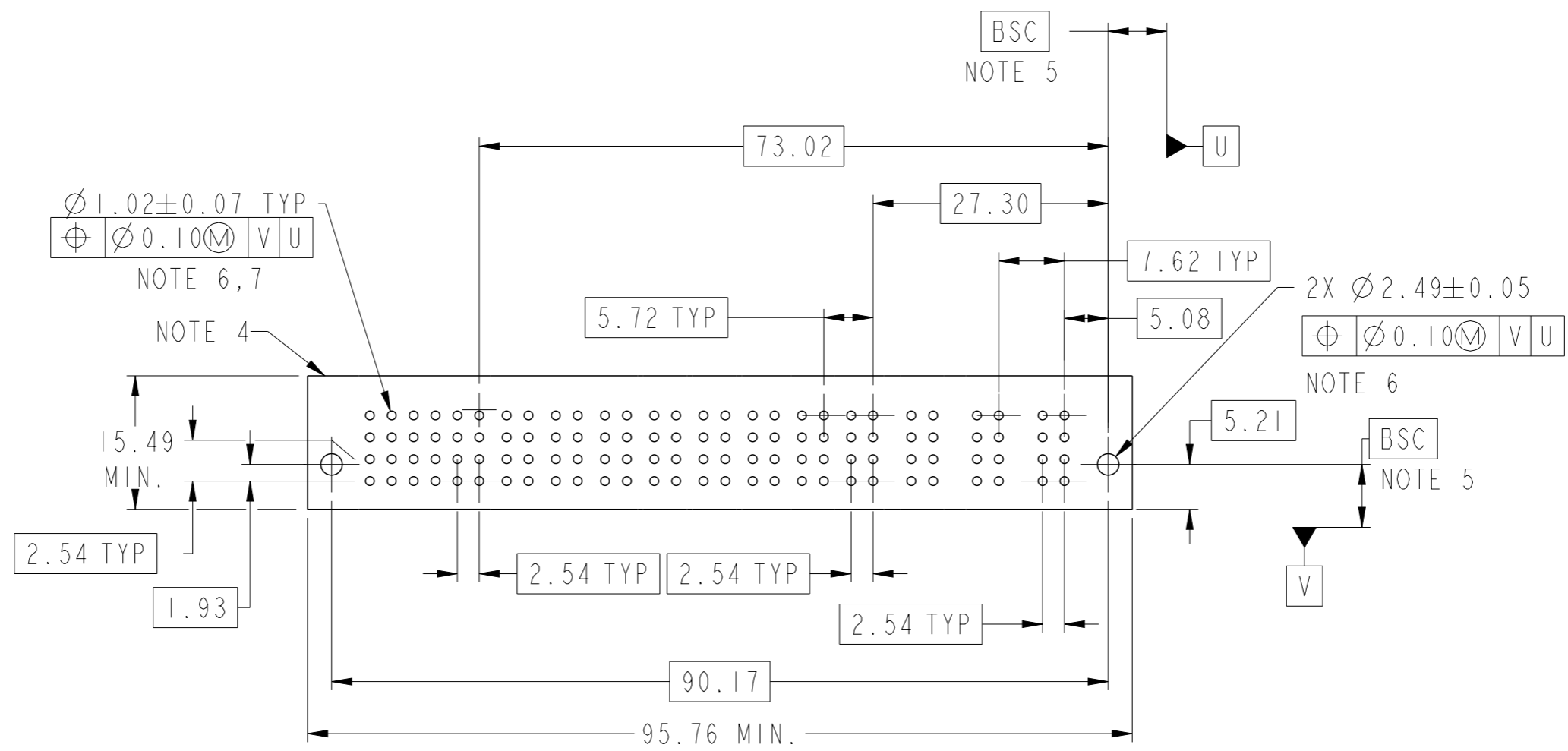
spec ref	dr Rainbow Zhan 2014/09/15			projection	MM	size	A3	scale	3:2	
tolerance std	eng Rainbow Zhan 2014/09/18					ecn no		-		
ASME Y14.5	chr Li-He 2014/09/18					product family		PowerBlade+	rel level	
surface		linear	0.X	±0.50		dwg no		10106269-B006002		rev
			0.XX	±0.25		cat. no.		Product - Customer Drw		
ASME Y14.5		angular	0°	±2°	www.fci.com		PDS: Rev :A		STATUS:Released	Printed: Sep 18, 2014



Copyright FCI.

PRODUCT NO.	ROWS	SIGNAL								HIGH POWER								E1	E2		
		6	5	4	3	2	1	P11	P10	P9	P8	P7	P6	P5	P4	P3	P2			P1	
10106269-B006002LF	D C B A	F	F	F	F	F	F	F	F	HG	HG	HG	HG	HG	HG	HG	HG	HG	HG	HA	HA

CODE	DESCRIPTION
F	STD SIGNAL CONTACT
HA	METAL HOLD DOWN
HG	STD HIGH POWER CONTACT (3.43)



Copyright FCI.

dr	Rainbow Zhan	2014/09/15	projection	MM	size	A3	scale	3:2
eng	Rainbow Zhan	2014/09/18			ecn no		-	
chr	Li-He	2014/09/18			rel level		Released	
appr	Pei-Ming Zheng	2014/09/18	product family		PowerBlade+			

	3ACP+8HDP+24S VT PF RECEPTACLE		dwg no 10106269-B006002	rev A
	www.fci.com	cat. no.	Product - Customer Drw	sheet 2 of 3

A

B

C

D

A

B

C

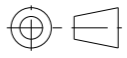
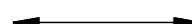

D

NOTES:

- 1) "FCI", PART NUMBER AND DATE CODE TO BE MARKED ON THIS SURFACE.
THE MARK CAN BE OMITTED IF THERE IS NOT ENOUGH SPACE ON THIS SURFACE.
- 2) MATERIALS:
-HOUSING - GLASS FILLED WITH HIGH TEMP THERMOPLASTIC, UL94V-0.
-SIGNAL CONTACT - COPPER ALLOY.
-POWER CONTACT - HIGH CONDUCTIVITY COPPER ALLOY.
- 3) PLATING SPECIFICATION REFER TO FCI 10116351
- 4) DENOTES CONNECTOR KEEP OUT ZONE.
- 5) DATUM AND BASIC DIMENSIONS WERE ESTABLISHED BY CUSTOMER.
- 6) ALL HOLE DIAMETERS ARE FINISHED HOLE SIZES.
- 7) 1.15 ± 0.025 MM DRILLED HOLE PLATED WITH 0.00762MM MIN Sn
OVER 0.0254-0.0762MM Cu PLATING TO ACHIEVE A 1.02 ± 0.07 MM HOLE.
- 8) PRODUCT SPECIFICATION REFER TO FCI GS-12-658.
APPLICATION SPECIFICATION REFER TO FCI GS-20-141.
PRODUCT PACKAGED IN TRAYS, REFER TO FCI GS-14-1502.
- 9) THE VOID CORING IN BETWEEN POWER MODULES, SIGNAL
MODULES AND END MODULES ARE OPTIONAL AND THE SHAPE
MAY BE DIFFERENT FOR OPTIMIZE THE MOLDING PROCESS. THE
VOID CORING WILL NOT EFFECT TO PRODUCT FUNCTION.



Copyright FCI.

dr	Rainbow Zhan	2014/09/15	projection 	MM 	size	A3	scale	1:1
eng	Rainbow Zhan	2014/09/18			ecn no	-		
chr	Li-He	2014/09/18			product family	PowerBlade+	rel level	Released
appr	Pei-Ming Zheng	2014/09/18					cat. no. 3ACP+8HDP+24S VT PF RECEPTACLE	dwg no 10106269-B006002
www.fci.com			Product - Customer Drw		sheet 3 of 3			