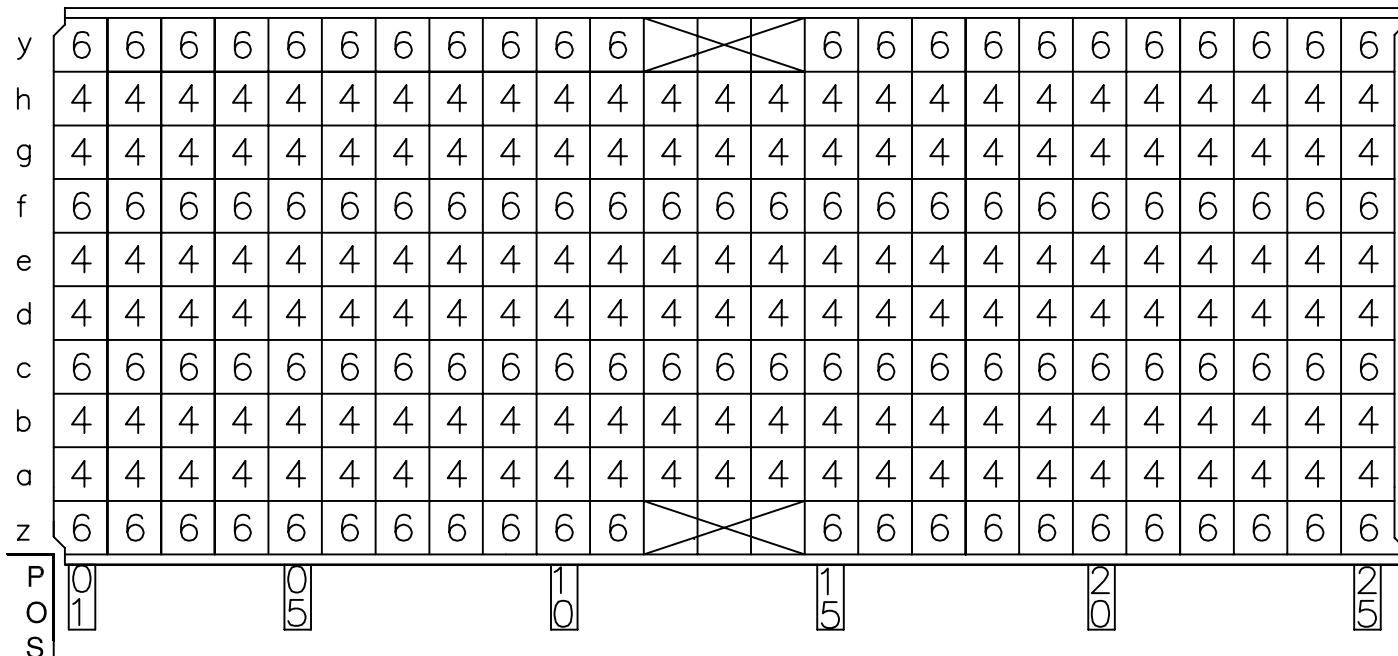
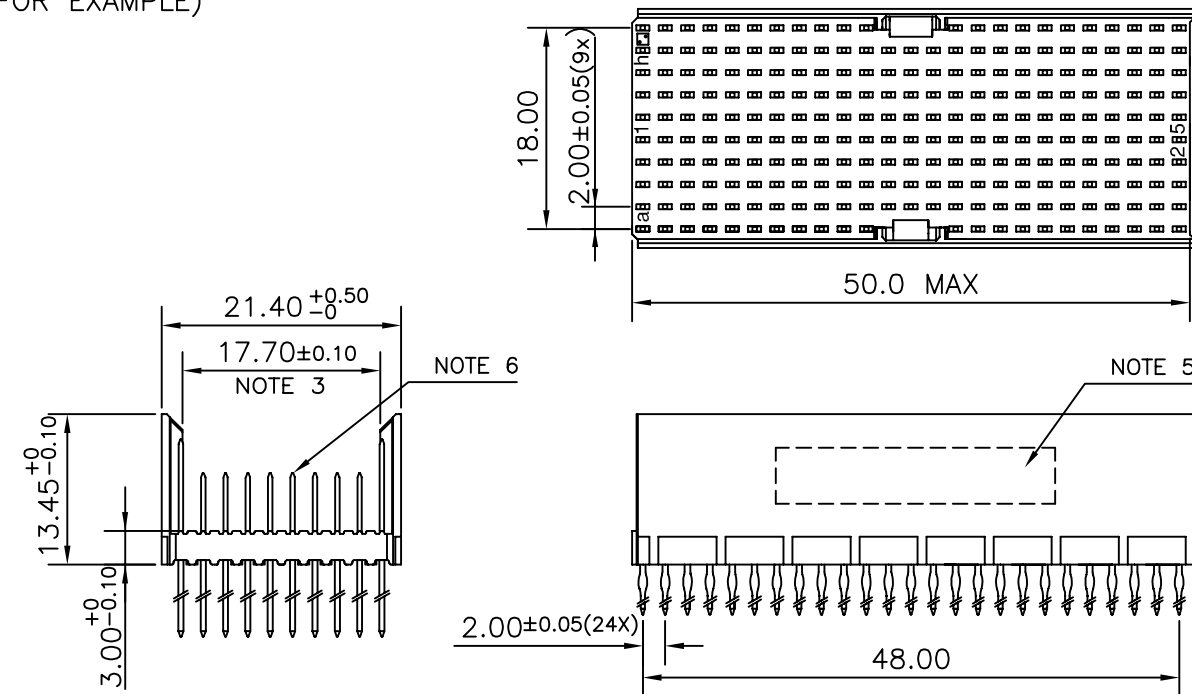


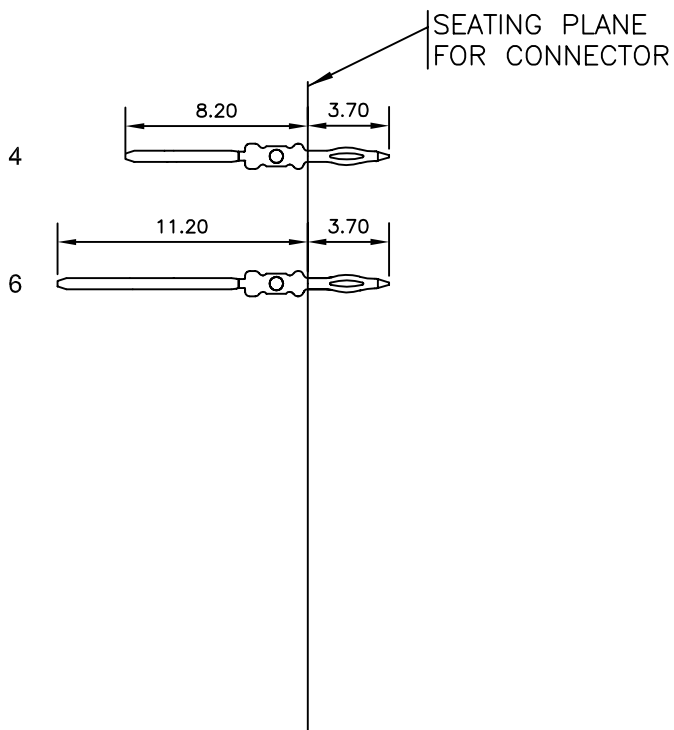
LOADING PATTERN MATING SIDE



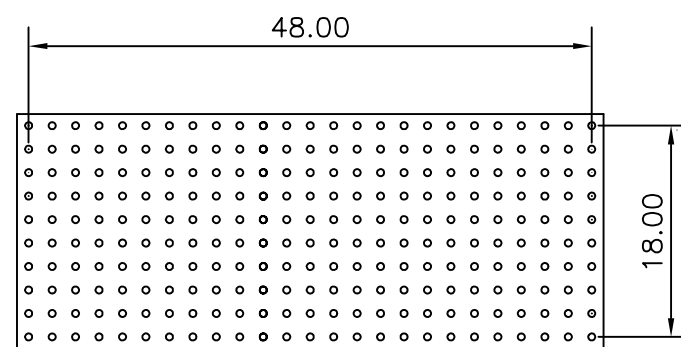
LOADED CONNECTOR ASSEMBLY  
(FOR EXAMPLE)



CONTACT OVERVIEW



LAY-OUT P.C.B.-HOLE



LEAD FREE INDICATOR : LF = LEAD FREE  
(DIGIT 15 & 16)

HM2P95PD1J11

PLATING CODE (DIGIT 13 AND 14)  
(REF DRW NO. BS,C , 201844 , 003)

NOTES

1. THIS PRODUCT IS CSA APPROVED.
2. THIS PRODUCT IS UL RECOGNIZED.
3. MEASURED AT THE BOTTOM.
4. MATERIAL CONTACT: PHOSPHORBRONZE  
HOUSING: CREAM WHITE GLASS FILLED POLYESTER UL-94V0
5. CONNECTOR PRINTED WITH P/N AND DATE CODE.
6. FOR ACTUAL CONTACT LOADINGS, SEE LOADING PATTERN MATING SIDE.
7. SHAPE OF CONNECTOR HOUSING CAN ALTER DEPENDING ON PRODUCTION LOCATION
8. THE PRODUCT (LF) MEETS EUROPEAN UNION DIRECTIVES AND OTHER COUNTRY REGULATIONS AS DESCRIBED IN GS-22-008
9. FOR RECOMMENDED PTH DIMENSIONS REFER DRAWING : BS, A , 201572 , 001  
CATALOG NO: HM2P95PD1J11----

mat'l. code SEE NOTE 4				surface ISO 1302 <input checked="" type="checkbox"/> ISO 406 ISO 1101		tolerance	projection	product family MILLIPACS		
ltr	ecn no	dr	date	tolerances unless otherwise specified				title		
A	105-0094	MINI	2005-06-09	angles	linear	.0±0.2		MPACS 8+2R STR HDR PF CONN TYPE DE		
B	106-0099	MINI	2006-07-13			0°±1°			.00±0.1	scale -
			dr	MINI K VANDANATH	2005-06-09			dwg no	sheet 1 of 1	size
			enr	BIJU K PAUL	2005-06-09			BS, C , 203028, 258	A3	
			chr	BIJU K PAUL	2006-07-13					
			appd	BIJU K PAUL	2006-07-13					
sheet index	revision sheet	B	1							