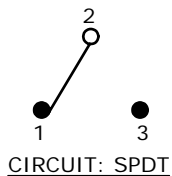
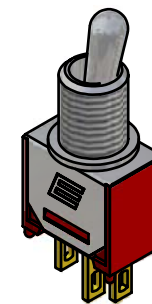
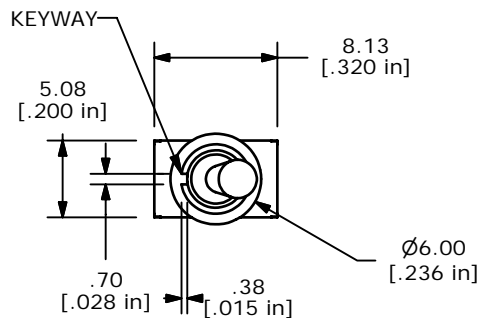


PANEL MOUNTING

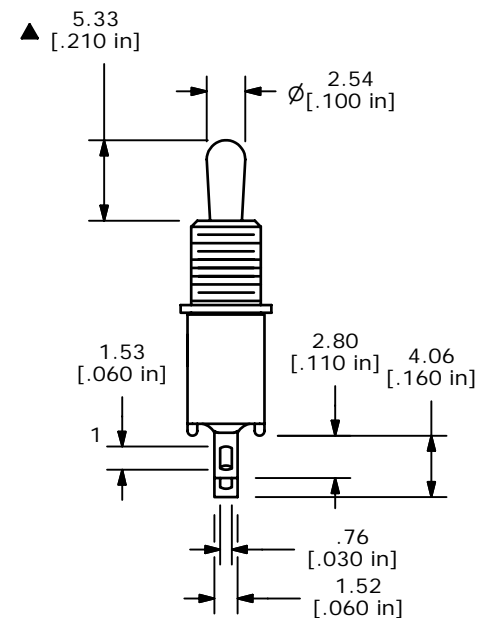
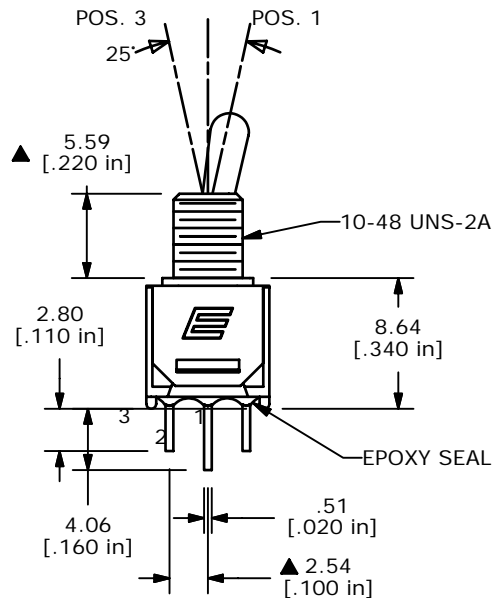
SWITCH FUNCTION		
POS. 1	POS. 2	POS. 3
ON	NONE	ON
2-3	N/A	2-1



- NOTE:
- ALL DIMENSIONS IN MM [INCH]
  - GENERAL TOLERANCE: X.X=±0.4  
X.XX=±0.25
  - TERMINAL NUMBERS FOR REF ONLY
  - PLATING MATERIAL: SILVER
  - ▲5. RATING: 3 AMPS @ 120VAC OR 28VDC UL, CUL  
1 AMPS @ 250VAC UL, CUL
  - ELECTRIC LIFE: 30,000 MAKE-AND-BREAK CYCLES AT FULL LOAD.
  - INSULATION RESISTANCE: 1,000 MEGA-OHM MIN.
  - DIELECTRIC STRENGTH: 1,000 V RMS @SEA LEVEL.
  - OPERATING TEMP.: -30°C to 85°C
  - ▲ DENOTES CRITICAL PARAMETER.
  - 2002/95/EC (ROHS) COMPLAINT
  - ▲12. HARDWARE TO BE SHIPPED BULK  
T200015 - HEXNUT - QTY 2  
T200000 - LOCKWASHER - QTY 1  
T200003 - LOCKRING - QTY 1



ISOMETRIC



B	17546	REVISED AND REDRAWN	8/9/07	BF
REV	PCR NO	DESCRIPTION	DATE	BY

TITLE 200MSP1T2B3M1QEH				
SCALE	DATE	DR	DWG	REV
2:1	8/9/2007	BF	ST211115	B

THE INFORMATION CONTAINED IN THIS DOCUMENT IS PROPRIETARY TO E-SWITCH AND IS NOT TO BE COPIED OR TRANSFERRED