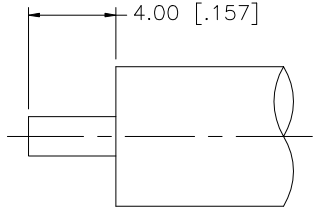
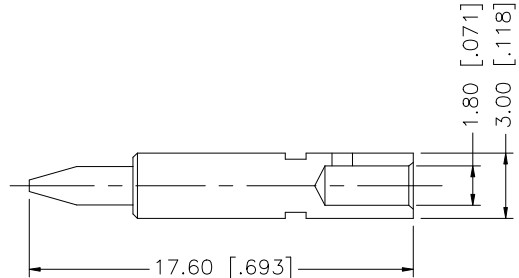
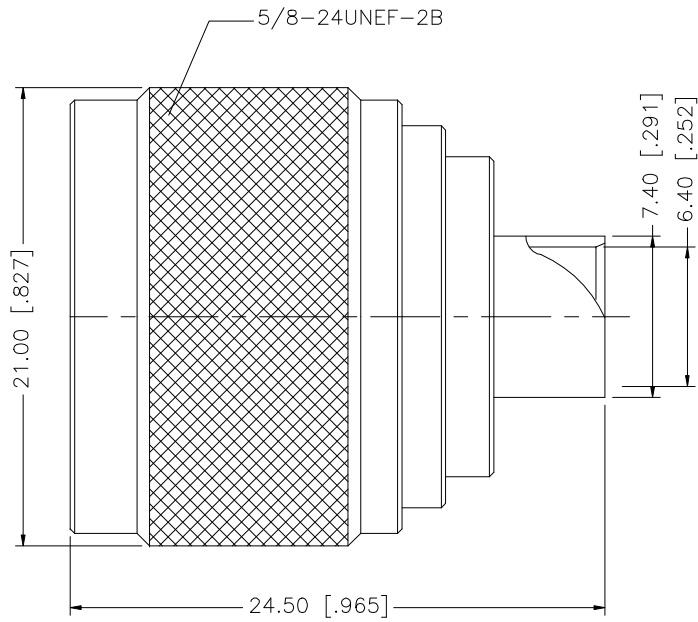


REV.	DATE	DESCRIPTION
A	04/31/03	UPDATE DRAWING FORMAT



RECOMMENDED
CABLE STRIPPING DIM'S

NOTE:
1. CRIMPED CONTACT PIN
HEX CRIMP SIZE .100"
OR SOLDER

REV.	DATE	DESCRIPTION
A	04/31/03	UPDATE DRAWING FORMAT

8					<small>UNLESS OTHERWISE SPECIFIED DIMENSIONS ARE IN MILLIMETERS. DIMENSIONS IN [] ARE IN INCHES AND FOR CUSTOMER REFERENCE ONLY.</small> <small>UNLESS OTHERWISE SPECIFIED TOLERANCES FOR MILLIMETERS ARE: 0.5 - 8mm ± 0.20mm 8 - 30mm ± 0.40mm 30 - 120mm ± 0.50mm</small> <small>UNLESS OTHERWISE SPECIFIED TOLERANCES FOR INCHES ARE: .020 - .315 = ± 0.007" .315 - 1.180 = ± 0.015" 1.180 - 4.724 = ± 0.020"</small>	APPROVALS	DATE	<h1 style="color: blue;">Amphenol Connex</h1> <p>N DIRECT SOLDER PLUG (.250" SEMI-RIGID CABLE)</p>						
7				DRAWN		G.R.S.	04/31/03							
6				CHECKED										
5				ISSUED										
4	COUPLING NUT	BRASS	NEXCOTE	1		SHEET	1 OF 1							
3	BODY	BRASS	GOLD	1										
2	CONTACT PIN	BRASS	GOLD	1	PART NO.		172139							
1	INSULATOR	TEFLON	NATURAL	1	DWG. NO.		172139.DWG							
	DESCRIPTION	MATERIAL	FINISH	QTY	DO NOT SCALE DRAWING		CAD FILE	C:/172/172139.DWG	REV.	A	SIZE	A	SCALE	NA