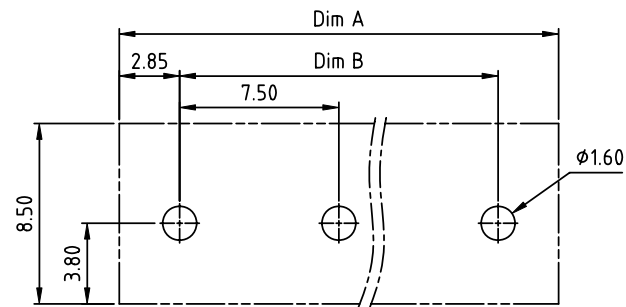
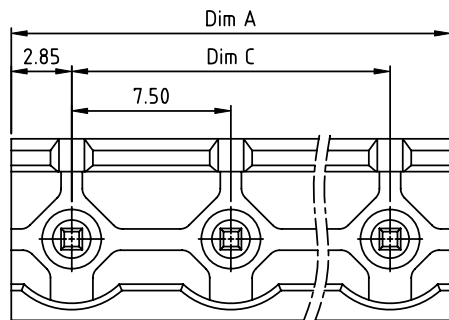
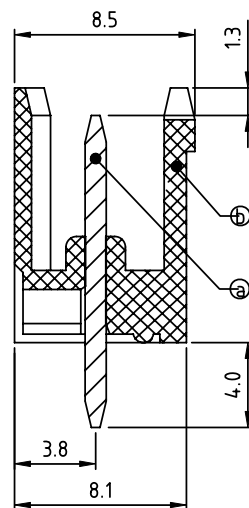
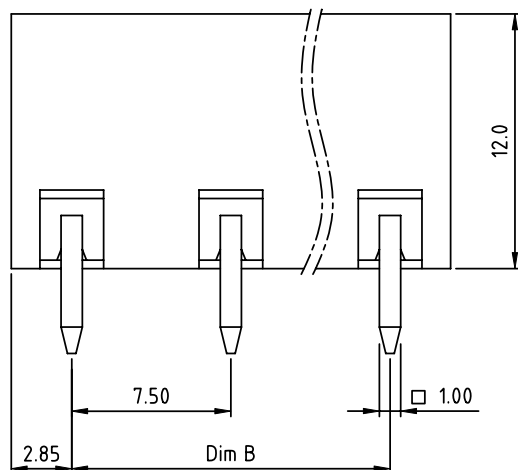


PRODUCT NUMBER	PITCH
OQxxA0x00J0G	7.50 mm



RECOMMENDED P.C.B LAYOUT
TOP VIEW



Material:

- Item (A) Male contact pin: Copper Tin plated
- Item (B) Terminal housing: Thermoplastic (UL94V-0)

Electrical:

- | | | |
|--------------------------|-----------------|------|
| | cULus | TUV |
| ● Voltage rating: | 300V | 750V |
| ● Current rating: | 20A | 15A |
| ● Withstanding Voltage: | 1.6 KV | 6KV |
| ● Operating temperature: | -40°C to +115°C | |
| ● Soldering temperature: | 260°C±5°C/5 Sec | |
| ● Safety Approval: | | |

DIMENSION

Dim A	(N-1)X7.5+5.7
Dim B&C	(N-1)X7.5
N= NUMBER OF POLES	
Poles	Tolerance
2P-6P	±0.20
7P-12P	±0.30
13P-16P	±0.40

PART NO.: OQ xx A 0 x 0 00J0 G

No. of poles	0	Black (RAL9005)	RoHS compliant (lead<4%) In copper Alloy
02	2 poles	2 Red (RAL3001/D)	
03	3 poles	3 Orange(RAL2011/P)	
...	...	4 Yellow(RAL1018/A)	
16	16 poles	5 Green(RAL6018/T)	
		6 Blue (RAL5015/A)	
		8 Grey(RAL7035/D)	
		9 White(RAL1102)	
		C Green(RAL6018/U)	

mat'l. code		surface ASME Y14.5	tolerance ASME Y14.5	projection 	product family TERMINAL BLOCK
ltr	ecn no	dr	date		title TERMINAL BLOCK PLUGGABLE SOCKET,OPEN,VERTICAL
				scale	dwg no OQxxA0x00J0G
					sheet 1 of 1 size A4
					type CUSTOMER Drawing
sheet index	revision sheet	A	1		