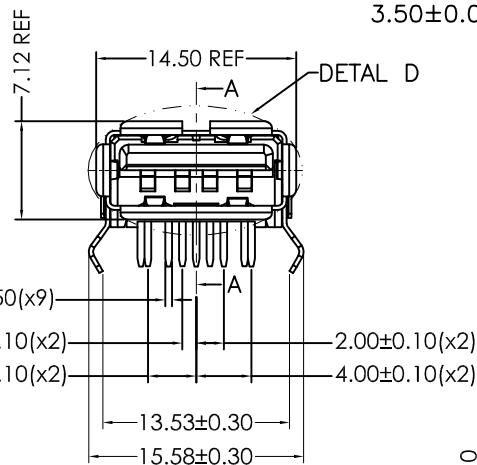
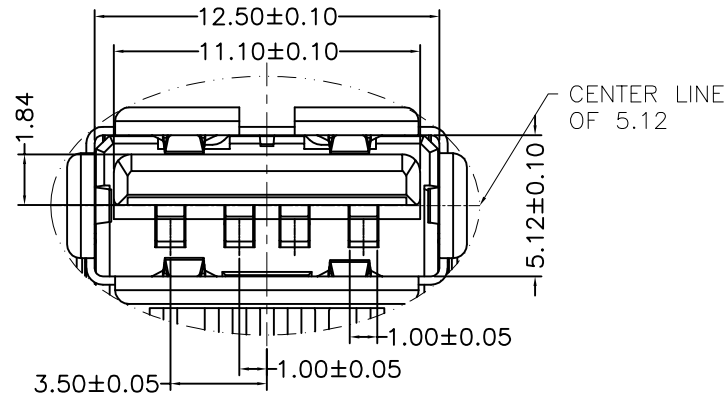
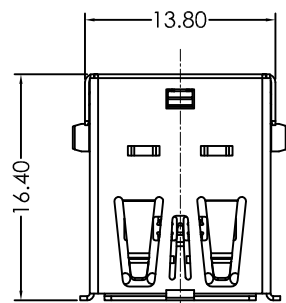
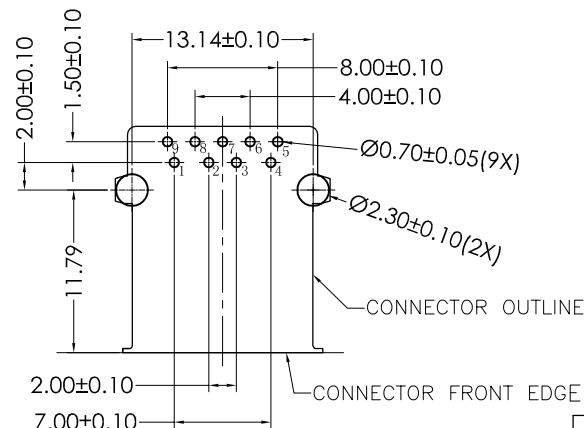
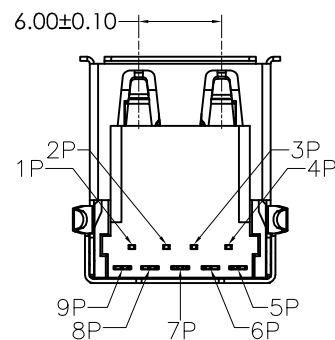
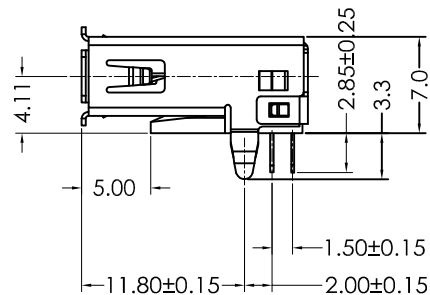


REVISION RECORD		
REV	DESCRIPTION	DRFT



DETAL D
SCALE 2:1



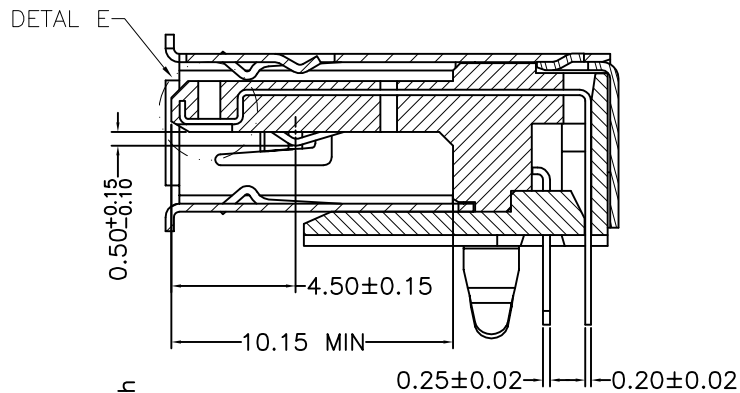
RECOMMENED PCB LAYOUT
TOP VIEW (TOLERANCE:1.6mm±0.05)

NOTES:

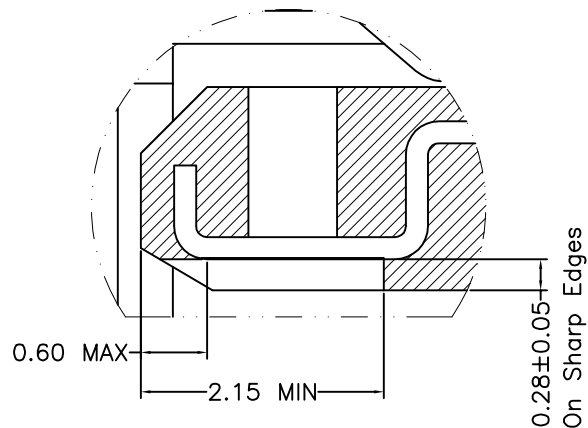
- MATERIAL:
HOUSING&COVER:PA9T UL 94V-0 COLOR:BLUE300C;
FRONTSIELD: PHOSPHOR BRONZE,
PLATING NICKEL 50u"MIN OVER ALL.
REAR SHIELD: STEEL,PLATING NICKEL80u"MIN OVERALL.
4PIN CONTACT:PHOSPHOR BROZNE;
5PINCONTACT:BRASS
PLATING GOLD 2u"MIN ON CONTACT AREA,
PLATING MATTE TIN 80u"MIN ON SOLDER AREA
NICKEL 50u"MIN UNDERPLATING OVER ALL
- CHARACTERISTICS:
CONTACT RESISTANCE:30mΩMAX.FOR Pin1&Pin4
50mΩMAX.FOR OTHER CONTACTS
INSULATION RESISTANCE:100M Ω Min.
DIELECTRICAL WITHSTANDING VOLTAGE:100 VAC .
MATING FORCE:3.57Kgf MAX(35N Max)
UNMATING FORCE:1.02Kgf Min(10N Min)
DURABILITY:1500 Cycles.
OTHERS:
OPERATION TEMPERATURE:-20°c to +80°c

DELETED LISTS TOLERANCES EXCEPT AS NOTED MM ±0.30 ° ±0.20 .00 ±0.10 .000 ±0.05	DFTO: Roy DATE: 11/20/2012		RoHS Compliant		
	CHKD: _____ DATE: _____		TITLE: USB 3.0 A TYPE RECEPTACLE		
	APPVL: _____ DATE: _____	QTY: _____	DRAWING NO. E8199-001-01 /PART NO. E8199-001-01	SIZE: A3	REV: 01
	ANGLES ± 2° 	FINISH: _____ SCALE: 1:1	DO NOT SCALE DRAWING	SHEET: 1 OF 2	

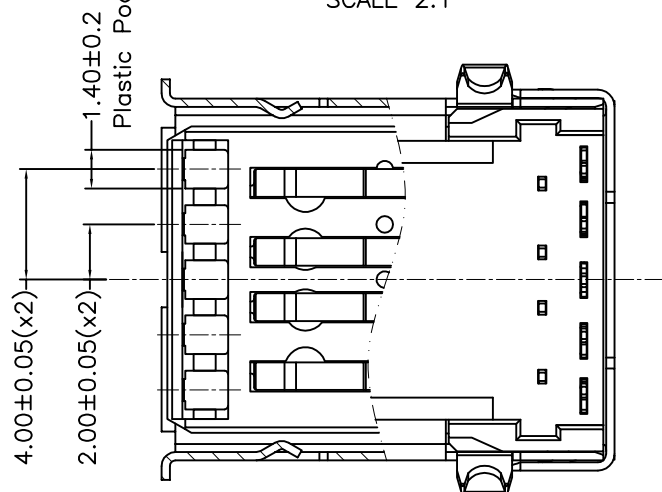
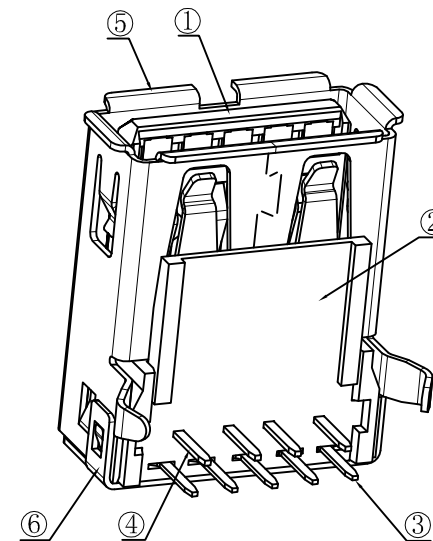
REVISION RECORD		
REV	DESCRIPTION	DRFT



SECTION A-A
SCALE 2:1



DETAIL E
SCALE 8:1



BOTTOM VIEW

DETACHED LISTS	MM (INCH)	DFTO: Roy	DATE: 11/20/2012	Pulse Electronics	RoHS Compliant	
	TOLERANCES EXCEPT AS NOTED	CHKD:	DATE:			
	MM .1 ± 0.30 .0 ± 0.20 .00 ± 0.10 .000 ± 0.05	± ± ± ±	APPVL:	DATE:	TITLE USB 3.0 A TYPE RECEPTACLE	
	ANGLES ± 2°		MATERIAL:			
	THIRD ANGLE PROJECTION	QTY:	FINISH:		DRAWING NO. E8199-001-01	SIZE A3
	SCALE: 1:1	DO NOT SCALE DRAWING		/PART NO. E8199-001-01	REV 01	
				SHEET 2 OF 2		