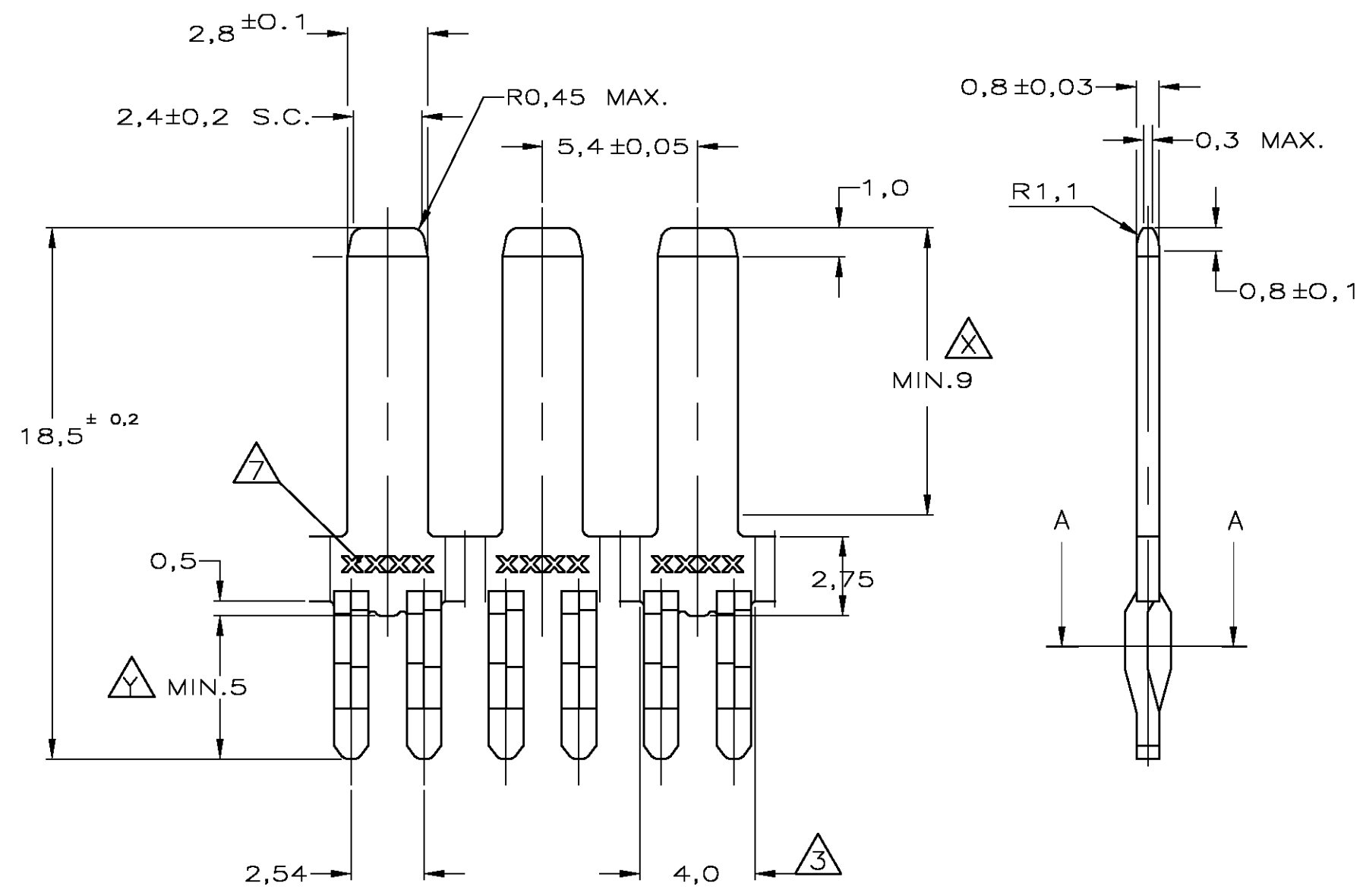


THIS DRAWING IS UNPUBLISHED. RELEASED FOR PUBLICATION
 © COPYRIGHT BY TYCO ELECTRONICS CORPORATION. ALL RIGHTS RESERVED.

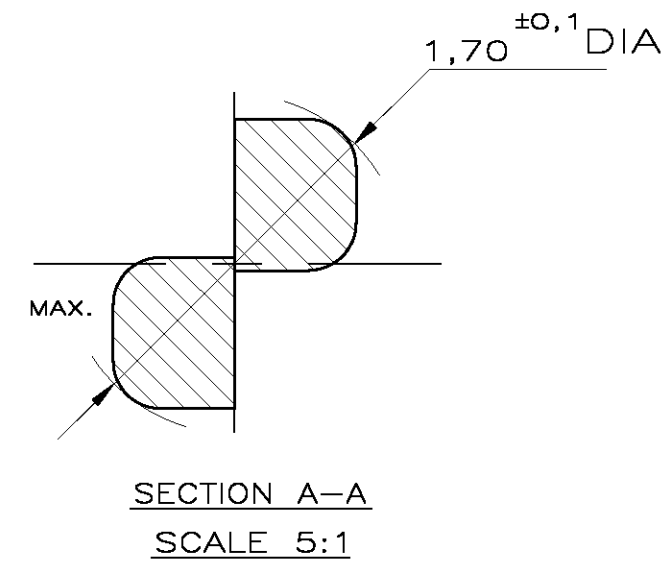
LOC	DIST	REVISIONS			
P	LTR	DESCRIPTION	DATE	DWN	APVD
A1	-	K3	ECR-05-011024	14-09-05	Abr M.B.
		K4	338429-5 ADDED	20-08-07	Haa M.B.
		K5	NOTE 6 ADDED	15-01-08	Haa A.Z.



P.C.B. HOLE DIM. ACTION PIN			
DRILLED HOLE	1.6	±0.025	mm
FIN. HOLE	1.39	+0.15 -0.0	mm
AFTER REFLOW	1.37	+0.15 -0.0	mm
Cu-thks	0.025	to 0.075	mm
Sn-thks	0.004	to 0.010	mm

NOTES:

- 1 PHOSPHORBRONZE # 4 HD
- 2 2,54-5,00 μm SN over
1,25-2,00 μm NICKEL
- 3 CUT OFF WIDTH.
- 4 PLATING: UNDERLAYER; 1,25μm-2,00μm NICKEL
- 5 1,50-3,30 μm SN over
1,25-2,00 μm NICKEL
- 6 REEL PACKAGED WITH PE BAG.
WORKABILITY WITHIN SIX MONTHS BEGINNING
WITH THE PRODUCTION DATE.
- 7 ARTWORK LOGO



5	1	338429-5	K
4	1	338429-3	K
2	1	338429-2	K
FINISH	MATERIAL	PARTNUMBER	REV

THIS DRAWING IS A CONTROLLED DOCUMENT.		DWN J.Gibbels 08-12-97	Tyco Electronics Tyco Electronics AMP GmbH 64625 Bensheim	
DIMENSIONS: mm	TOLERANCES UNLESS OTHERWISE SPECIFIED:	CHK A.BIJNEN 19-07-01	NAME 2,8x0,8mm TAB WITH ACTION PIN (FOR 1,6-3,2mm PCB THICKNESS)	
	0 PLC ± -	APVD A.BIJNEN 19-07-01	PRODUCT SPEC	SIZE A3
	1 PLC ± -	PRODUCT SPEC	APPLICATION SPEC	CAGE CODE 00779
	2 PLC ± -	APPLICATION SPEC	RESTRICTED TO	DRAWING NO C-338429
	3 PLC ± -	WEIGHT	SCALE 4:1	SHEET 1 OF 1
	4 PLC ± -	CUSTOMER DRAWING	REV K5	
	ANGLES ± -			
MATERIAL	FINISH			