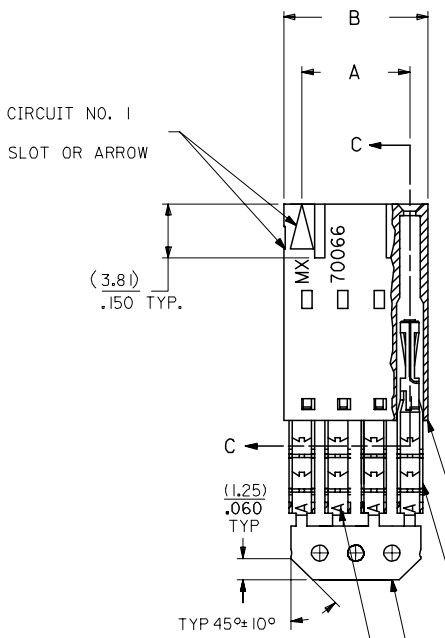
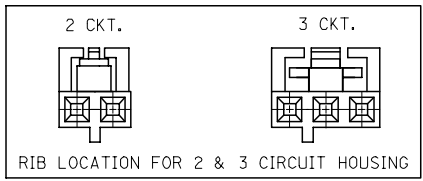
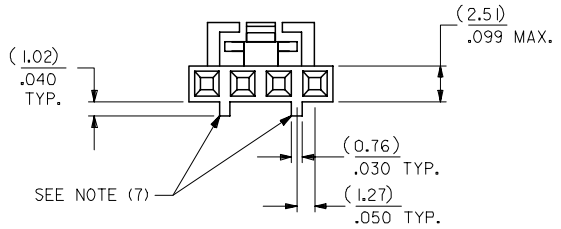


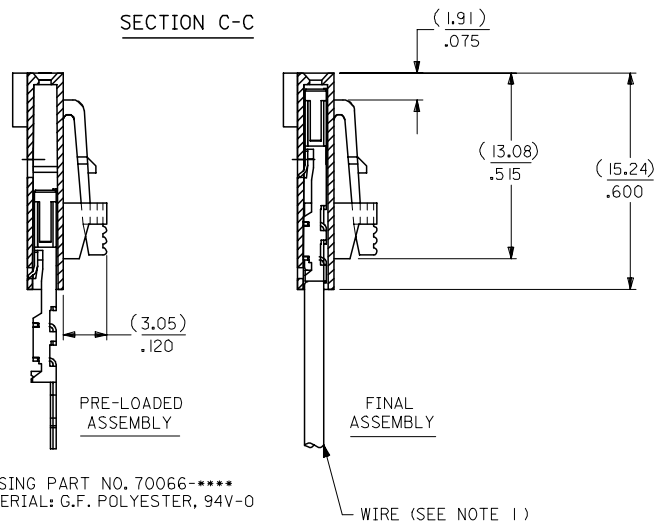
# OPTION G

## NOTES:

- 1) TO BE USED WITH (24) AWG. STRANDED WIRE WITH (1.35)/.053 DIA. MAX. INSULATION.
- 2) SEE CHART FOR CIRCUIT SIZES.
- 3) STANDARD PACKAGING PER PK-70873-0001. OPTIONAL PACKAGING MAY BE AVAILABLE, REQUEST DWG. PK-70400
- 4) PARTS STACKABLE END TO END ON (2.54)/.100 CENTERS.
- 5) REFER TO PRODUCT SPECIFICATION: PS-70400.
- 6) SEE DWG. SDA-70400-\*\*\*\* (SHT. 5) FOR OPTIONAL HOUSING DETAILS.
- 7) 4 CIRCUIT SHOWN. 4 - 25 CKT'S. HAVE (2) RIBS.
- 8) TO MATE WITH MOLEX PART NO.'S.: A-70373-\*\*\*\*, A-70375-\*\*\*\*, A-70389-\*\*\*\*, A-70391-\*\*\*\*, 70107-\*\*\*\*, 70018-\*\*\*\*, A-70543-\*\*\*\*, A-70553-\*\*\*\*, A-70541-\*\*\*\*, A-70551-\*\*\*\*, A-70545-\*\*\*\*, A-70555-\*\*\*\*.
- 9) 2 CIRCUIT ASSEMBLIES SUPPLIED AS GROUPED PAIRS.



### SECTION C-C



| I.D. SLOT CODE TO WIRE GAUGE CHART |            |
|------------------------------------|------------|
| I.D. SLOT CODE                     | WIRE GAUGE |
| A                                  | 24 AWG.    |

| PLATING CODE (STRIPE ON CARRIER STRIP) |        |
|--|--------|
| PLATING                                | COLOR  |
| 15 GOLD                                | YELLOW |

15 GOLD - .000015 MIN. GOLD IN SELECT AREA WITH .000075 MIN. TIN IN SELECT AREA OVER .000050 MIN. NICKEL OVER-ALL.

HOUSING PART NO. 70066-\*\*\*\*  
MATERIAL: G.F. POLYESTER, 94V-0

TERMINAL PART NO. 70028-\*\*\*\*  
MATERIAL: PHOSPHOR BRONZE  
PLATING PER ES-88-\*\*\*

| CKT. SIZE | A                  | B                  | ITEM NUMBER |
|-----------|--------------------|--------------------|-------------|
| 2         | ( 2.54 )<br>.100   | ( 5.05 )<br>.199   | 70400-2022  |
| 3         | ( 5.08 )<br>.200   | ( 7.59 )<br>.299   | 70400-2032  |
| 4         | ( 7.62 )<br>.300   | ( 10.13 )<br>.399  | 70400-2042  |
| 5         | ( 10.16 )<br>.400  | ( 12.67 )<br>.499  | 70400-2052  |
| 6         | ( 12.70 )<br>.500  | ( 15.21 )<br>.599  | 70400-2062  |
| 7         | ( 15.24 )<br>.600  | ( 17.75 )<br>.699  | 70400-2072  |
| 8         | ( 17.78 )<br>.700  | ( 20.29 )<br>.799  | 70400-2082  |
| 9         | ( 20.32 )<br>.800  | ( 22.83 )<br>.899  | 70400-2092  |
| 10        | ( 22.86 )<br>.900  | ( 25.37 )<br>.999  | 70400-2102  |
| 11        | ( 25.54 )<br>1.000 | ( 27.91 )<br>1.099 | 70400-2112  |
| 12        | ( 27.94 )<br>1.100 | ( 30.45 )<br>1.199 | 70400-2122  |
| 13        | ( 30.48 )<br>1.200 | ( 32.99 )<br>1.299 | 70400-2132  |
| 14        | ( 33.02 )<br>1.300 | ( 35.53 )<br>1.399 | 70400-2142  |
| 15        | ( 35.56 )<br>1.400 | ( 38.07 )<br>1.499 | 70400-2152  |
| 16        | ( 38.01 )<br>1.500 | ( 40.61 )<br>1.599 | 70400-2162  |
| 17        | ( 40.64 )<br>1.600 | ( 43.15 )<br>1.699 |             |
| 18        | ( 43.18 )<br>1.700 | ( 45.69 )<br>1.799 | 70400-2182  |
| 19        | ( 45.72 )<br>1.800 | ( 48.23 )<br>1.899 |             |
| 20        | ( 48.26 )<br>1.900 | ( 50.77 )<br>1.999 | 70400-2202  |
| 21        | ( 50.80 )<br>2.000 | ( 53.31 )<br>2.099 |             |
| 22        | ( 53.34 )<br>2.100 | ( 55.85 )<br>2.199 | 70400-2222  |
| 23        | ( 55.88 )<br>2.200 | ( 58.39 )<br>2.299 |             |
| 24        | ( 58.42 )<br>2.300 | ( 60.93 )<br>2.399 | 70400-2242  |
| 25        | ( 60.96 )<br>2.400 | ( 63.47 )<br>2.499 |             |

|  |             |                             |
|--|-------------|-----------------------------|
| INITIAL RELEASE<br>FC NO: UCP2006-0364<br>DRAWN BY: 2005/12/12<br>CHKD: BBARKER 2005/12/19<br>APPR: SMILLER 2005/12/19 | DESCRIPTION | QUALITY SYMBOLS<br>=0<br>=0 |
|--|-------------|-----------------------------|

| GENERAL TOLERANCES (UNLESS SPECIFIED) |         |
|---------------------------------------|---------|
|                                       | MM/INCH |
| 4 PLACES                              | ± .010  |
| 3 PLACES                              | ± .014  |
| 2 PLACES                              | ± .018  |
| 1 PLACE                               | ± .025  |
| ANGULAR ±1/2°                         |         |

| DIMENSION STYLE      |            | SCALE |      | DESIGN UNITS |  | THIRD ANGLE PROJECTION |  |
|----------------------|------------|-------|------|--------------|--|------------------------|--|
| MM/IN                | DATE       | 4:1   | INCH |              |  |                        |  |
| DRAWN BY: MIBARRA    | 2005/10/27 |       |      |              |  |                        |  |
| CHECKED BY: BBARKER  | 2005/10/27 |       |      |              |  |                        |  |
| APPROVED BY: SMILLER | 2005/10/27 |       |      |              |  |                        |  |

|   |  |                           |  |                  |  |
|---|--|---------------------------|--|------------------|--|
| ASSEMBLY SL CONNECTOR<br>SINGLE ROW (2.54)/.100<br>GRID   |  | MATERIAL NO. SD-70400-005 |  | SHEET NO. 1 OF 1 |  |
| THIS DRAWING CONTAINS INFORMATION THAT IS PROPRIETARY TO MOLEX INCORPORATED AND SHOULD NOT BE USED WITHOUT WRITTEN PERMISSION |  |                           |  |                  |  |