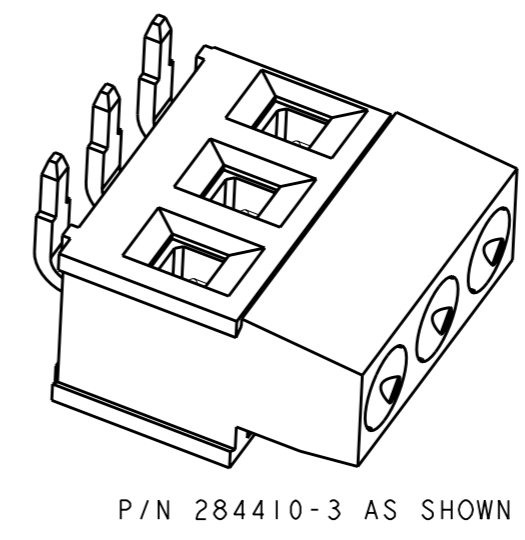
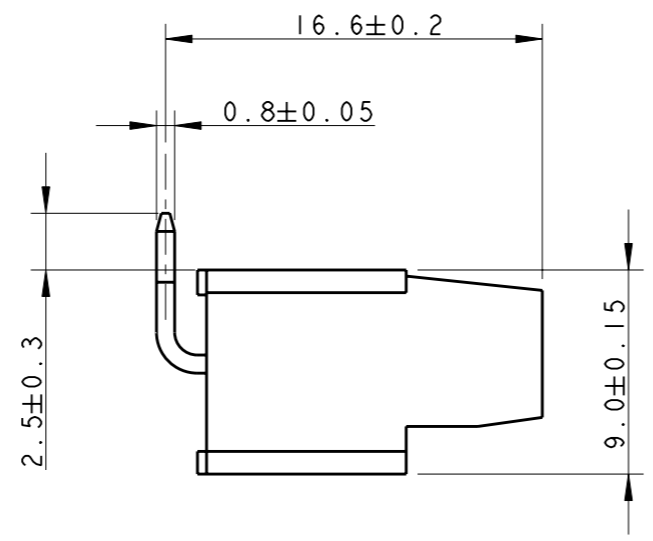
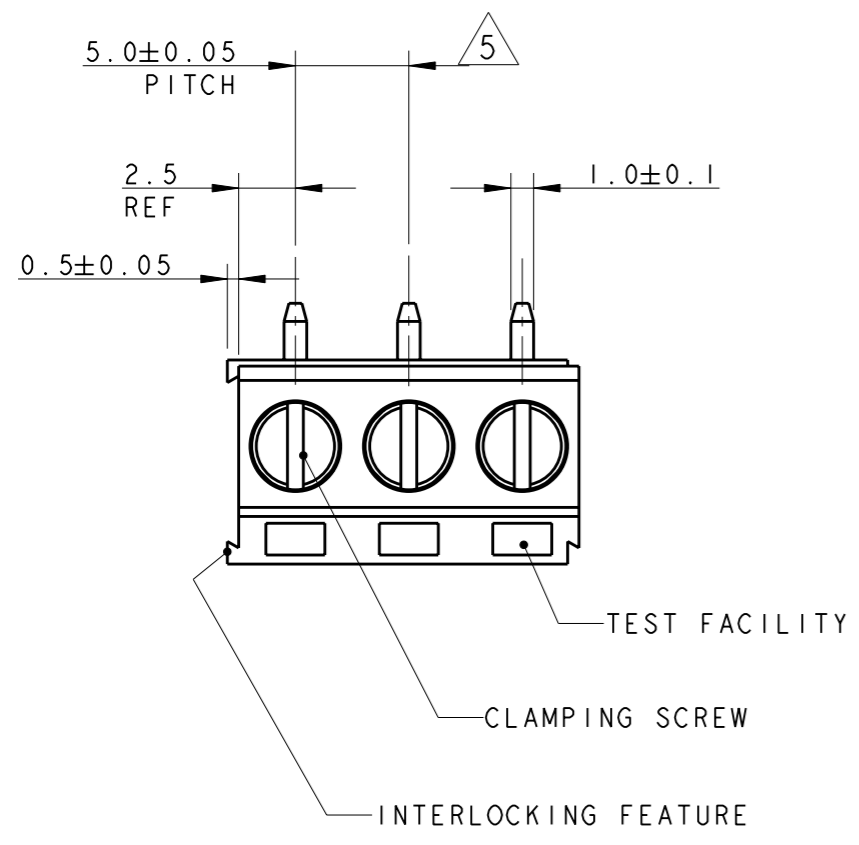


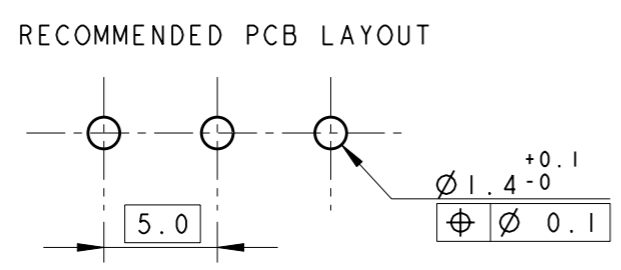
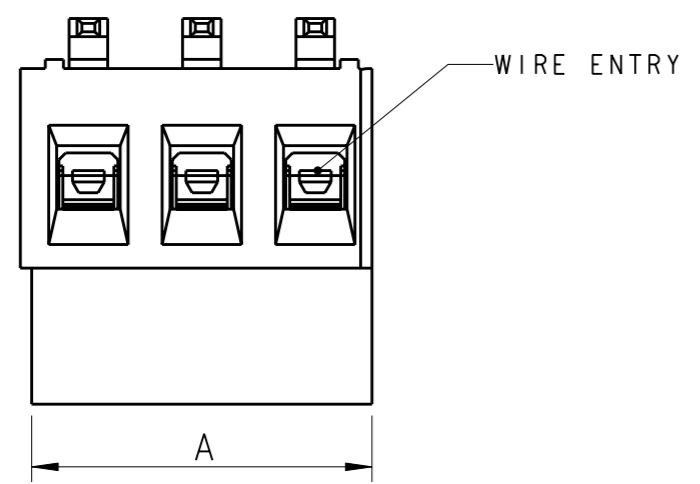
THIS DRAWING IS UNPUBLISHED. RELEASED FOR PUBLICATION 20
 © COPYRIGHT 20 BY TYCO ELECTRONICS CORPORATION. ALL RIGHTS RESERVED.

LOC	DIST	REVISIONS			
P	LTR	DESCRIPTION	DATE	DWN	APVD
FT	0	B	REVISED PER 0G3B-0119-01	01FEB2002	EZ DB
		D	REVISED PER ECO-08-003241	06FEB2008	SS CR



DIM "A"	NO OF POS	PART NUMBER
125.0	25	2-284410-5
120.0	24	2-284410-4
115.0	23	2-284410-3
110.0	22	2-284410-2
105.0	21	2-284410-1
100.0	20	2-284410-0
95.0	19	1-284410-9
90.0	18	1-284410-8
85.0	17	1-284410-7
80.0	16	1-284410-6
75.0	15	1-284410-5
70.0	14	1-284410-4
65.0	13	1-284410-3
60.0	12	1-284410-2
55.0	11	1-284410-1
50.0	10	1-284410-0
45.0	9	284410-9
40.0	8	284410-8
35.0	7	284410-7
30.0	6	284410-6
25.0	5	284410-5
20.0	4	284410-4
15.0	3	284410-3
10.0	2	284410-2

- 1 MATERIALS AND FINISH
 HOUSING : PA 6.6, UL 94-V0, COLOR GREEN
 CLAMP : BRASS, NICKEL PLATED
 TERMINAL : BRASS, TIN PLATED
 CLAMPING SCREW : M3, BRASS, NICKEL PLATED
- 2 SUITABLE FOR 1.6-2.4 mm PC BOARD THICKNESS
- 3 END-TO-END STACKABLE W/INTERLOCK WITHOUT LOSS OF CENTERLINE SPACING
- 4 WIRE SIZE RANGE
 12 - 30 AWG
- 5 NOT CUMULATIVE TOLERANCE



<small>THIS DRAWING IS A CONTROLLED DOCUMENT FOR TYCO ELECTRONICS CORPORATION. IT IS SUBJECT TO CHANGE AND THE CONTROLLING ENGINEERING ORGANIZATION SHOULD BE CONTACTED FOR THE LATEST REVISION.</small>		DWN 01FEB2002 E. ZANOLINI		Tyco Electronics Harrisburg, PA 17105-3608	
DIMENSIONS: mm		TOLERANCES UNLESS OTHERWISE SPECIFIED: 0 PLC ±.3 1 PLC ±.3 2 PLC ±.25 3 PLC ±. 4 PLC ±. ANGLES ±2		NAME TERMINAL BLOCK, PCB MOUNT, 270° STACKING WITH INTERLOCK BOTTOM ENTRY WIRE, 5mm PITCH	
MATERIAL 		FINISH 		PRODUCT SPEC 108-20166 APPLICATION SPEC 114-20079 WEIGHT -	
CUSTOMER DRAWING				SIZE A3	CAGE CODE 00779
SCALE 3:1				DRAWING NO C-284410	RESTRICTED TO -
SHEET 1 OF 1				REV D	