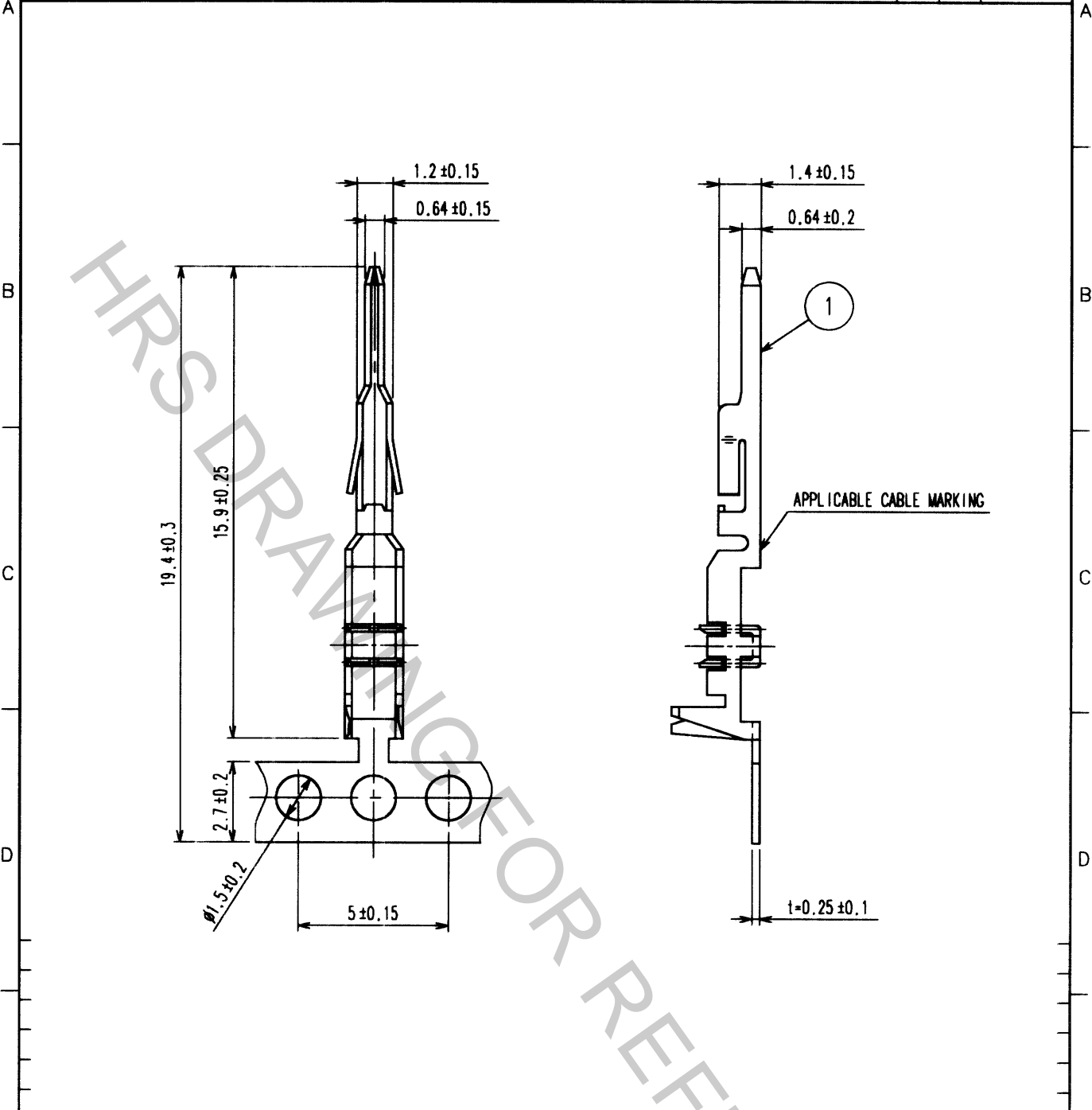


1		2			3			4		
COUNT	DESCRIPTION OF REVISIONS	BY	CHKD	DATE	COUNT	DESCRIPTION OF REVISIONS	BY	CHKD	DATE	
△					△					
△					△					
△					△					



NOTE 1. APPLICABLE CABLE : AWG24
 2. 1 REEL : 10000 CONNECTORS.

1	PHOSPHOR BRONZE	TIN PLATED
NO.	MATERIAL	FINISH, REMARKS

CODE NO. (OLD)	DRAWN	DESIGNED	CHECKED	APPROVED	RELEASED
	W. Fukuchi 00. 4. 12	W. Fukuchi 00. 4. 12	T. Miyazaki 00. 4. 12	K. Katayama 00. 4. 13	

TO

 SACLE 5 : 1 UNITS mm	DRAWING NO. EDC4-080518	PART NO. DF1B-24PRF
	 HIROSE ELECTRIC CO., LTD.	CODE NO. CL541-0666-2