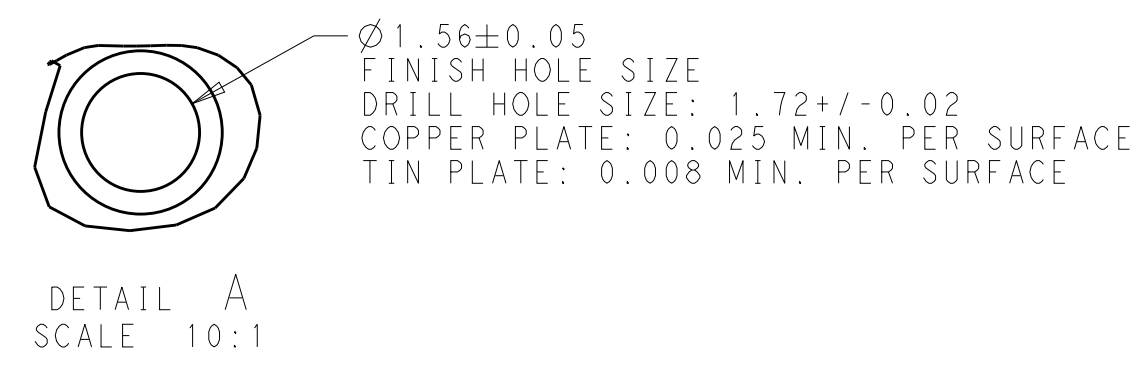
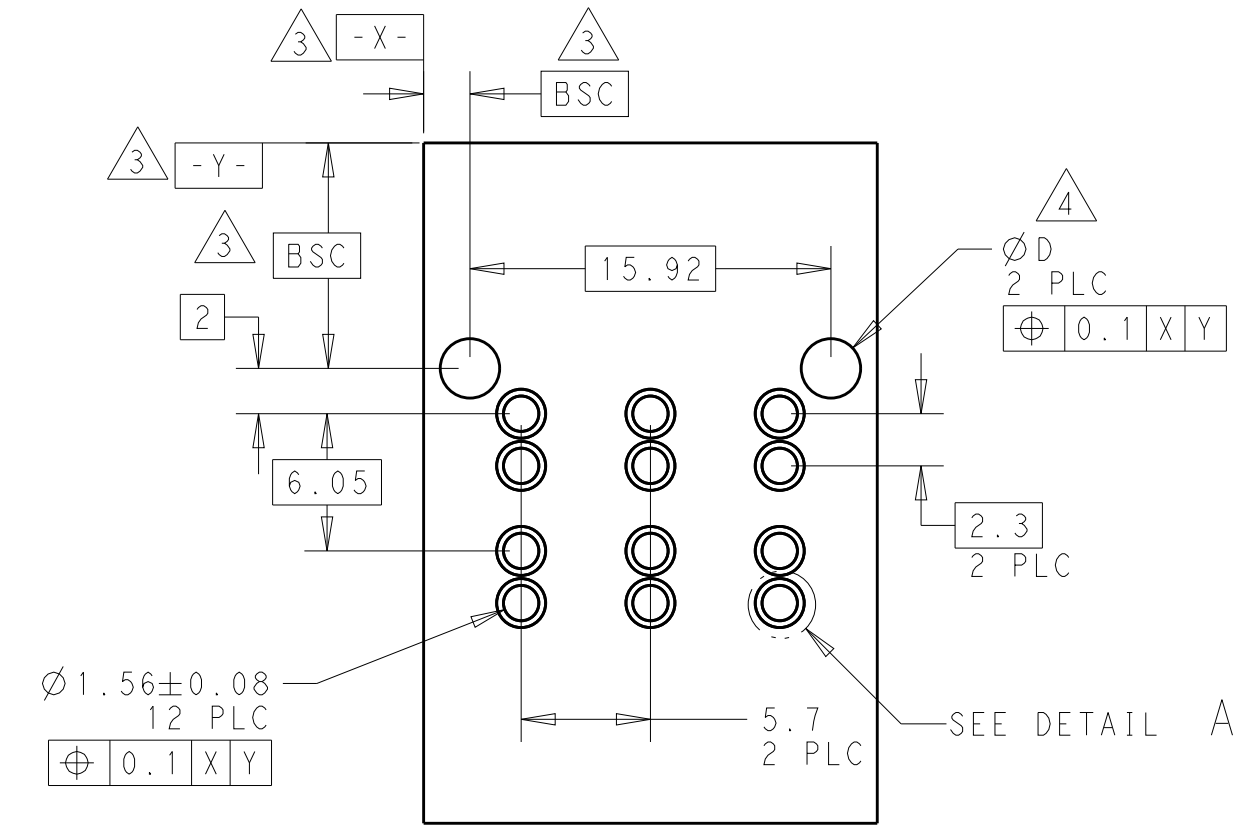
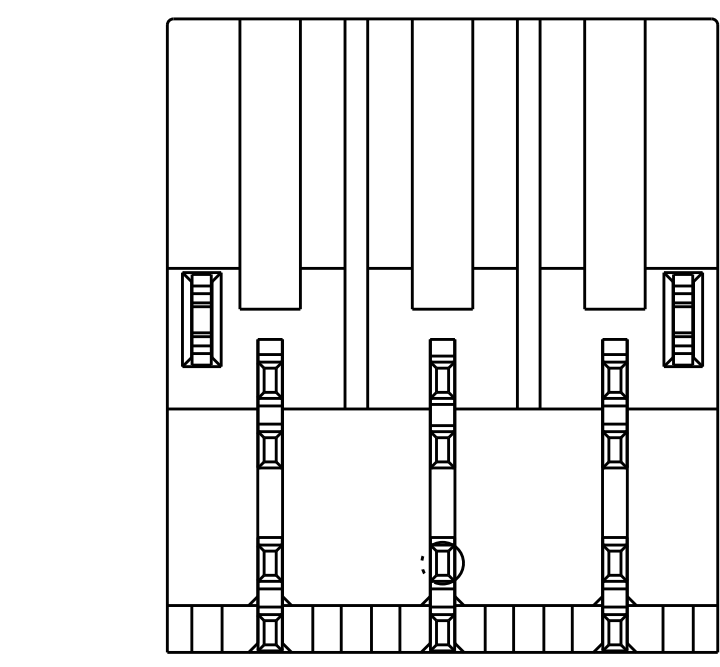
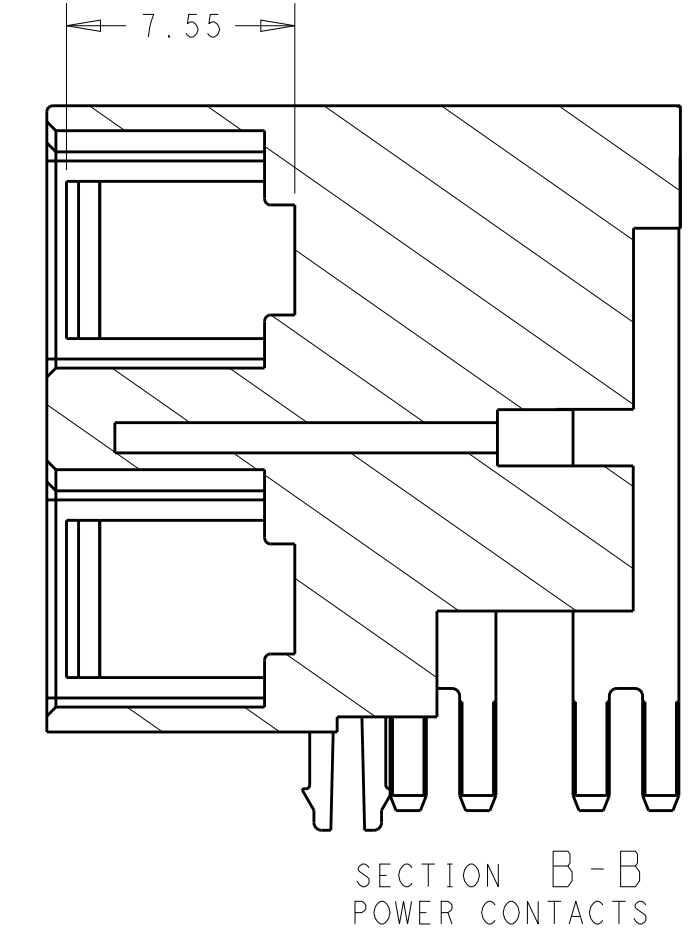
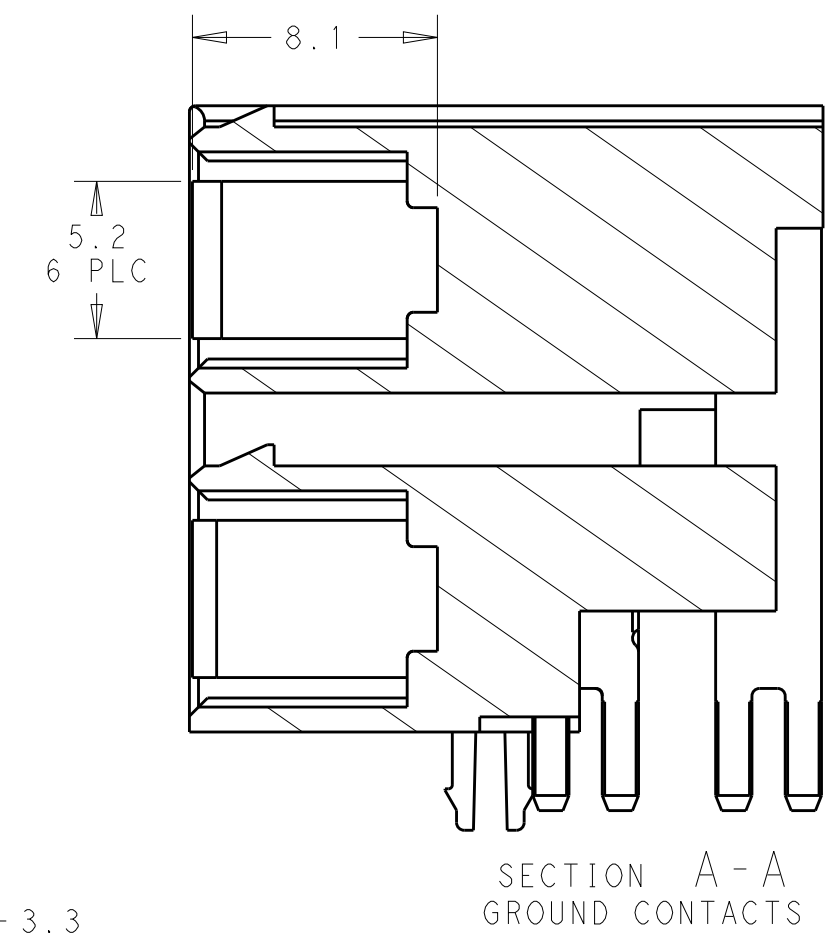
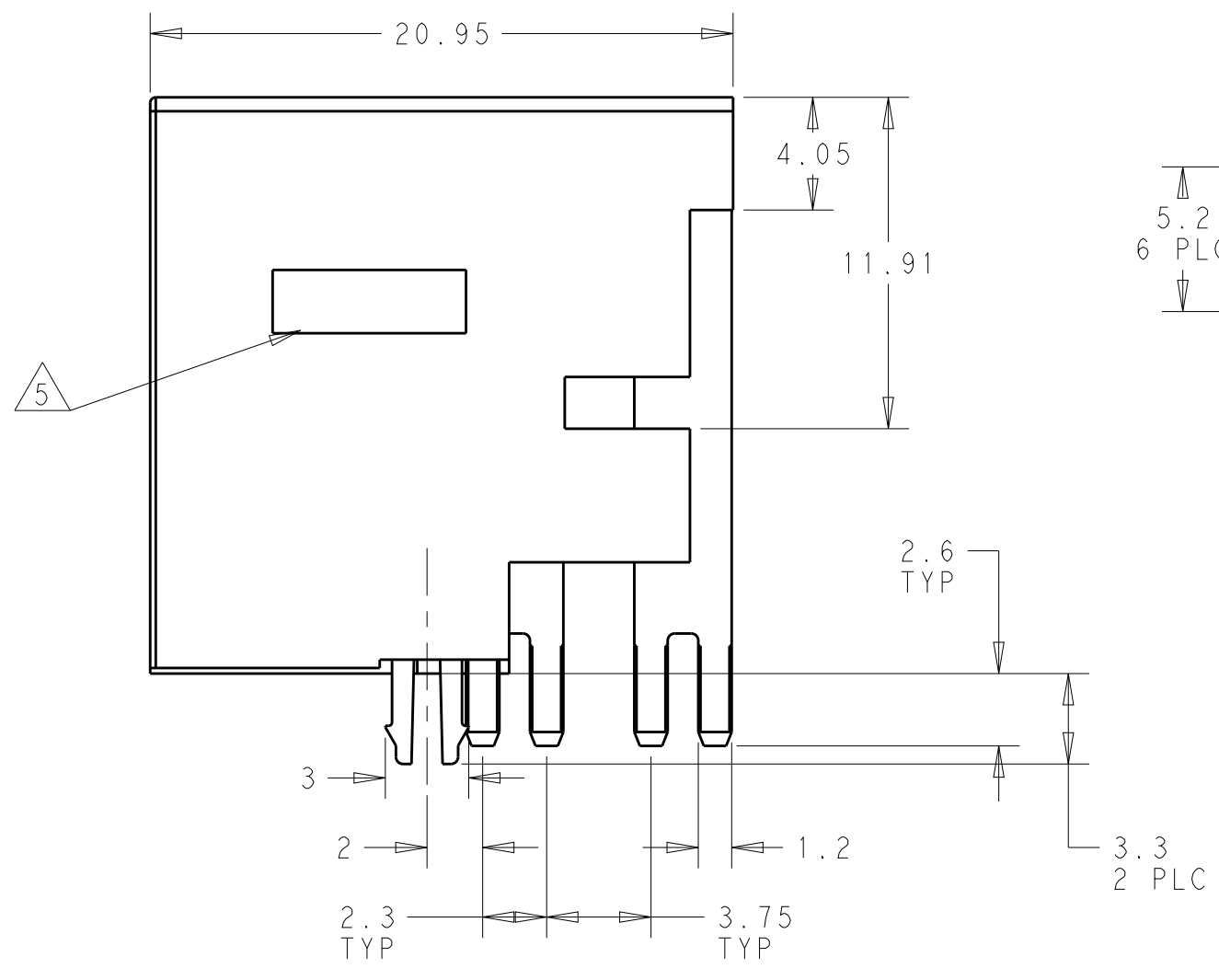
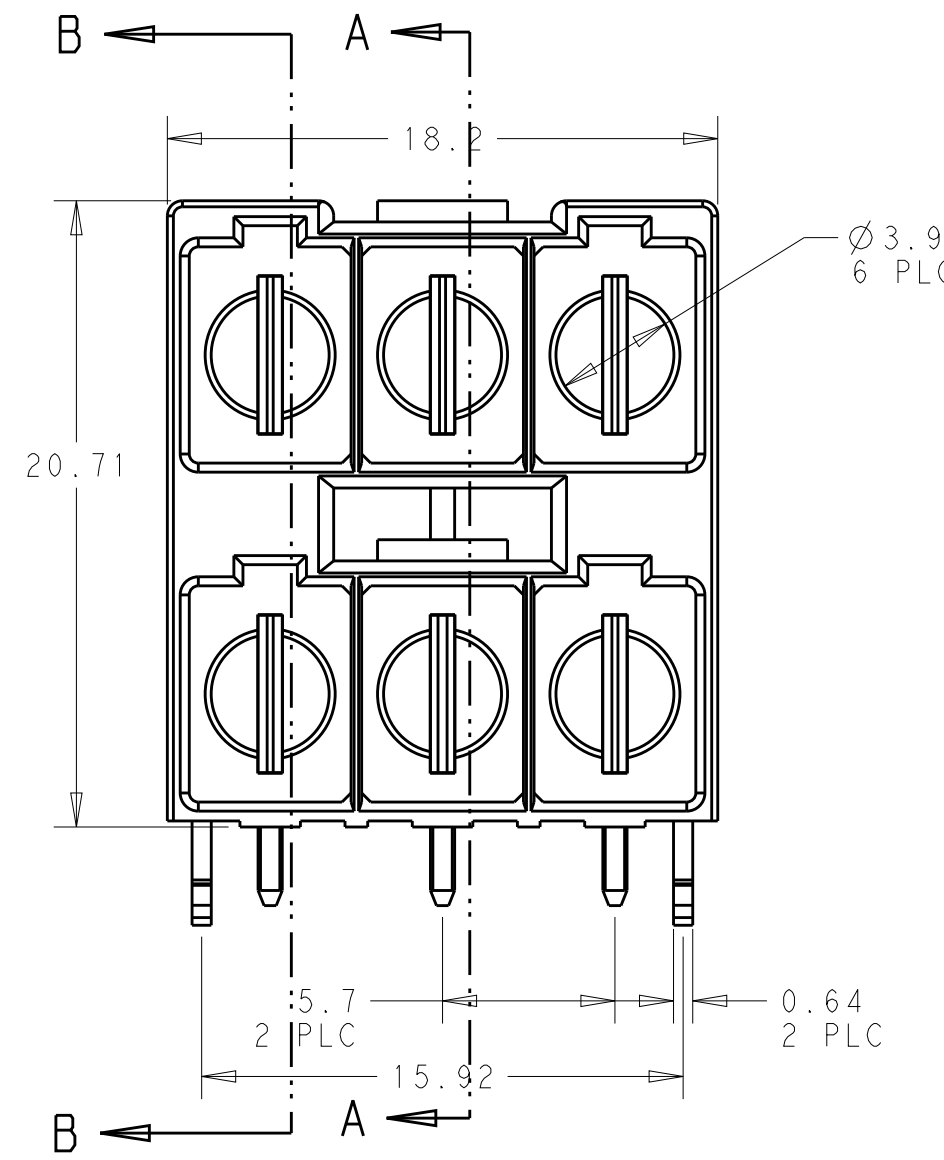
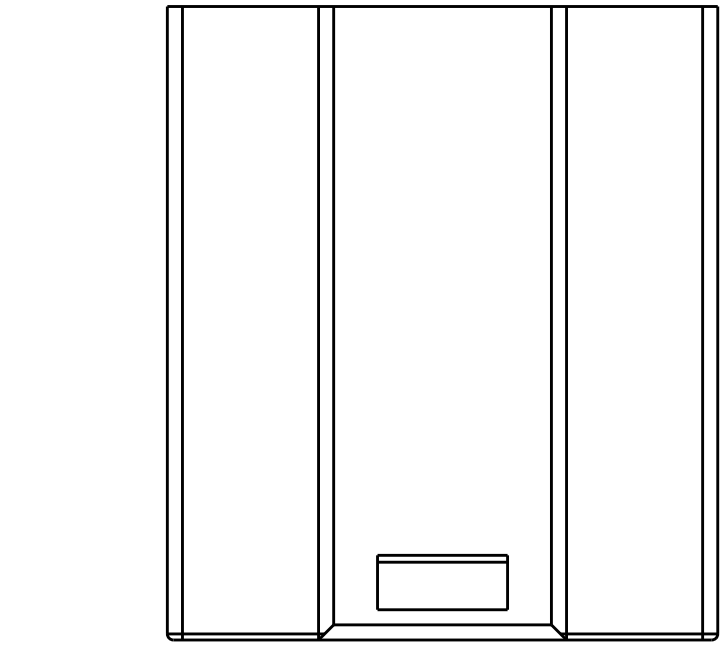


THIS DRAWING IS UNPUBLISHED. RELEASED FOR PUBLICATION 20
 © COPYRIGHT 20 BY - ALL RIGHTS RESERVED.

REVISIONS				
P	LTR	DESCRIPTION	DATE	APVD
	A	INITIAL RELEASE	20MAY2016	OL SZ
	A1	DRAFT ERROR	23MAY2016	OL SZ
	B	REV PER ECO-16-014059	10JAN2017	WY SZ

- 1 MATERIAL:
HOUSING: LCP BLACK, UL94V-0; CONTACT AND RETENTION CLIP: COPPER ALLOY
- 2 PLATING:
POWER CONTACT: 3UM SILVER AT CONTACT AREA OVER NICKEL PLATED;
TIN PLATED OVER NICKEL AT SOLDER TAIL
RETENTION CLIP: TIN PLATED OVER NICKEL PLATED
- 3 DATUM AND BASIC DIMENSIONS ESTABLISHED BY CUSTOMER
- 4 UNPLATED THROUGH HOLE; THE RECOMMENDED HOLE SIZE IS 2.75MM OR 2.65MM.
- 5 "TE", PART NUMBER AND DATECODE TO BE MARKED IN AREA SHOWN



2204535-1 PART NUMBER

THIS DRAWING IS A CONTROLLED DOCUMENT.		DWN ORANDO LI 03APR2015	TE Connectivity	
		CHK ZHAO SUNY 03APR2015		
		APVD SUNY ZHAO 03APR2015	NAME ELCON Mini, 2x3-position stacked header, right-angle	
DIMENSIONS: mm		PRODUCT SPEC 108-		SIZE A2
TOLERANCES UNLESS OTHERWISE SPECIFIED:		APPLICATION SPEC 114-		CAGE CODE -
0 PLC ±		WEIGHT -		DRAWING NO. C-2204535
1 PLC ±0.1		CUSTOMER DRAWING		RESTRICTED TO -
2 PLC ±0.05		SCALE 4:1		SHEET 1 OF 1
3 PLC ±				REV B
4 PLC ±				
ANGLES ±				
FINISH -				