

HANDLE KIT

BUL10172

REV. F

FOR SINGLE AND DOUBLE DOOR ENCLOSURES

A) MARK AND DRILL DOOR AT LOCATIONS DISPLAYED IN THE DRILLING DETAIL.

B) MOUNT GASKET TO HANDLE (PART 1). SLIP THREADED SHAFT THROUGH .866" (22.5mm) DIA. HOLE IN DOOR AND HOLD ONTO HANDLE. FASTEN HANDLE TO DOOR USING SCREW, WASHERS AND NUT SUPPLIED (PART 2). NOTE: HANDLE CAN BE MADE TO OPEN CLOCKWISE OR COUNTER-CLOCKWISE BY CHANGING POSITION OF DOG LOCATED UNDER HANDLE ESCUTCHEON.

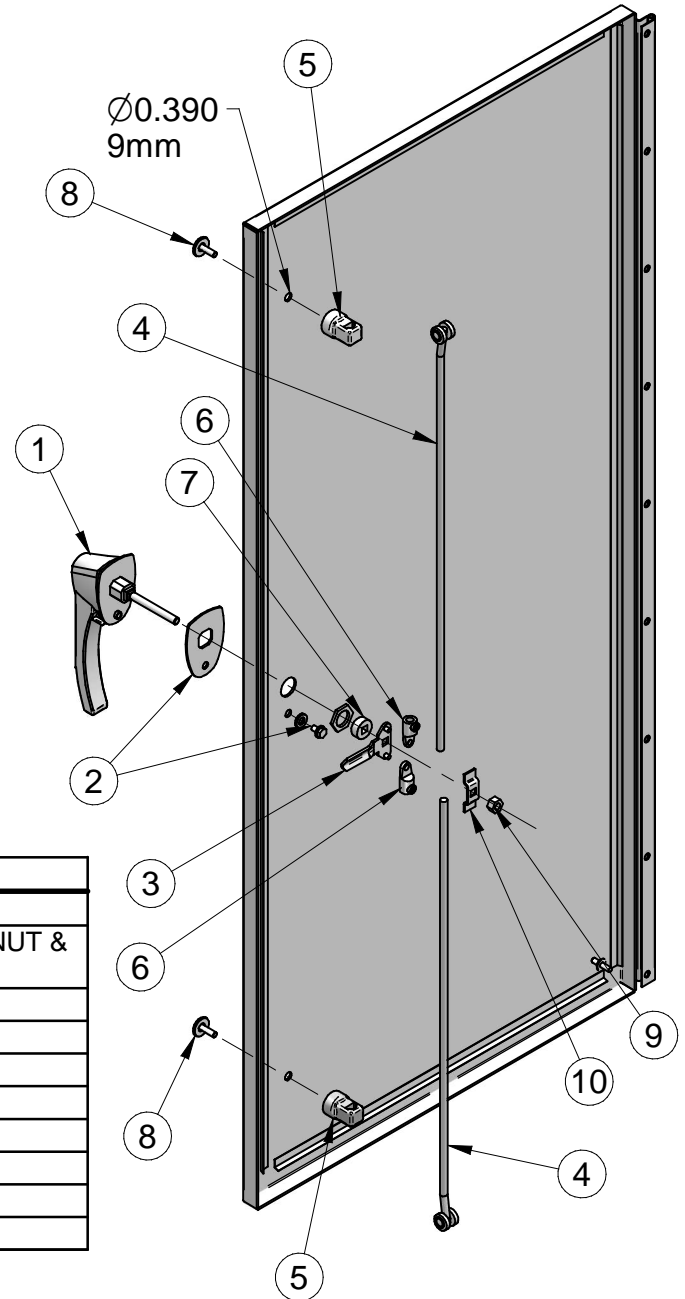
C) SLIP SPACER (PART 7) THAT COMES WITH HANDLE OVER SHAFT.

D) SLIP CAM (PART 3) OVER SHAFT, PINS FACING UP AND LATCH FACING OUT 90° TO HANDLE.

E) ADD LOCK ROD ADAPTERS (PART 6) ON CAM PINS. SLIP ROD RETAINER PLATE (PART 10) OVER SHAFT. TIGHTEN M12 CENTER-LOCK NUT AND FLAT WASHER (PART 9) AS SHOWN.

F) INSERT RODS IN LOCK ROD GUIDES (PART 5). INSERT M6 SCREW (PART 8) THROUGH 0.390" (9mm) HOLE DOOR AND SCREW INTO ROD GUIDE. INSERT RODS IN LOCK ROD ADAPTERS AND TIGHTEN SCREWS.

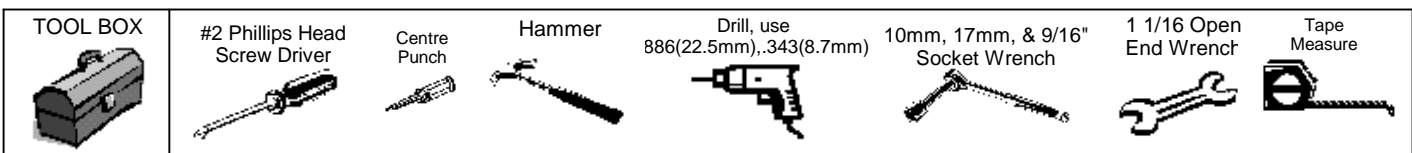
NOTE: FOR LEFT HAND HANDLE, MOUNT HARDWARE OPPOSITE.



PART #	QTY.	DESCRIPTION
1	1	PAD LOCKING HANDLE
2	1	HANDLE HARDWARE (SCREWS, WASHERS, NUT & GASKET)
3	1	CAM
4	2	ROLLER LOCK RODS
5	2	LOCK ROD GUIDES
6	2	LOCK ROD ADAPTERS
7	2	INTERNAL SPACER
8	1	M6-22 SCREWS
9	2	HEX NUT M10 CTR-LOCK AND FLAT WASHER
10	1	ROD RETAINER PLATE



NOTE 1.) LOCK RODS ARE SUPPLIED TO SUIT 79.31" OPENING. FOR ENCLOSURES LESS THAN 79.31" CUT EACH ROD 1/2 THE DIFFERENCE IN OPENING.
eg: IF OPENING IS 18" SMALLER, THEN CUT 9" OFF EACH ROD.

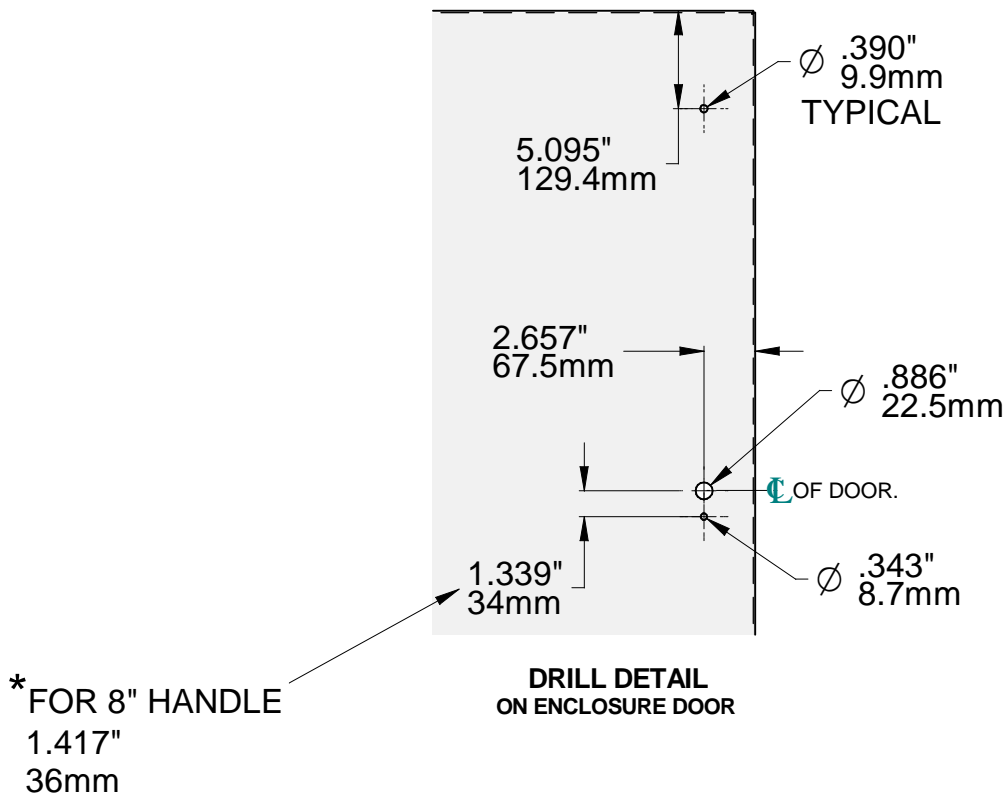


HANDLE KIT

BUL10172

REV. F

FOR SINGLE AND DOUBLE DOOR ENCLOSURES



* PHKD2	8" HANDLE W/PADLOCK/DEFEATER
MHKL2	6" HANDLE W/PADLOCK/KEYLOCK
MHK2	6" HANDLE W/PADLOCK
MHKD2	6" HANDLE W/PADLOCK/DEFEATER
MHKLSS2	6" SS HANDLE W/PADLOCK/KEYLOCK
MHKSS2	6" SS HANDLE W/PADLOCK
MHKDSS2	6" SS HANDLE W/PADLOCK/DEFEATER

