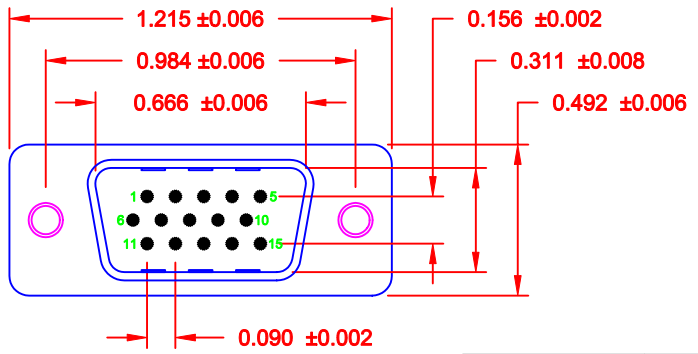
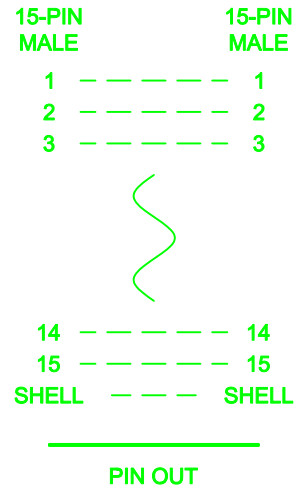
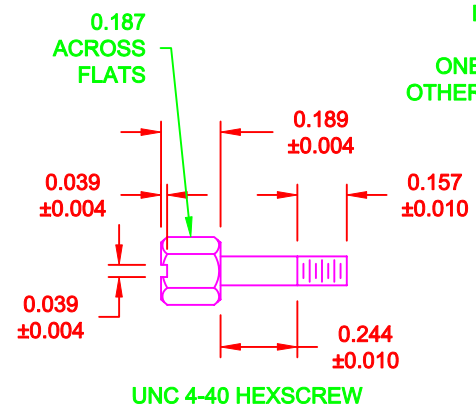
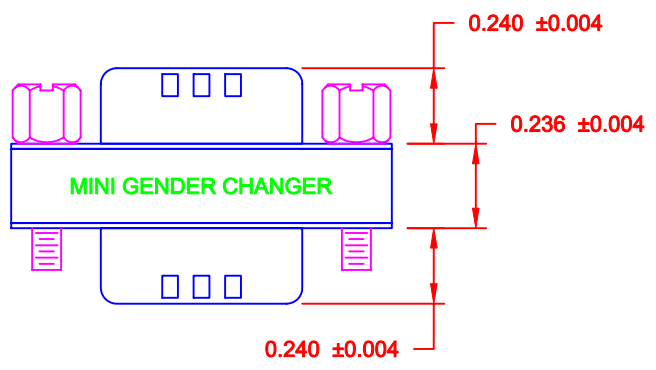
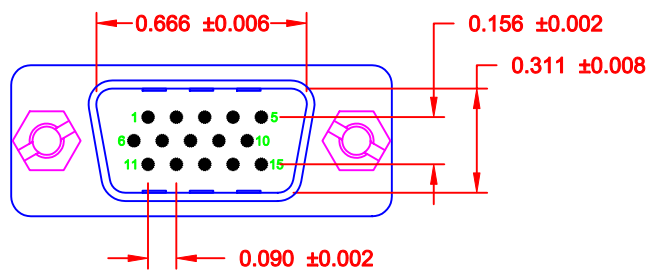


SPECIFICATION:

- INSULATOR: PBT GLASS FIBER REINFORCED UL 94VO
- CONTACT: BRASS
- CONTACT PLATING: GOLD PLATED OVER NICKEL
- SHELL: TIN PLATED SHELL
- CURRENT RATING: 3 AMP
- DIELECTRIC STRENGTH: 1,000VAC FOR 1 MINUTE
- INSULATION RESISTANCE: 1,000 MegOHMS MIN @500 VDC
- TEMPERATURE: -55° C - +105° C

NOTE:

- LABEL: YELLOW COLOR WITH BLACK CHARACTORS
- ONE SIDE: MINI GENDER CHANGER
- OTHER SIDE: U.S.A. PATENT 5199906



DO NOT SCALE FROM DRAWING

RoHS COMPLIANT

	THESE DRAWINGS AND SPECIFICATIONS ARE THE PROPERTY OF NorComp AND SHALL NOT BE REPRODUCED, COPIED OR USED AS THE BASIS FOR THE MANUFACTURE OF SALE OF APPARATUS WITHOUT WRITTEN PERMISSION.		DRAWN: C. SMITH	DATE: 05-27-08
			CHECKED:	DATE:
NorComp	SCALE: 1.5 : 1	SHEET 1	OF 1	REV 1
	DWG NO. GCHDLPF15M15M			