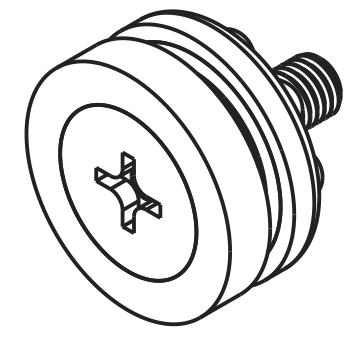
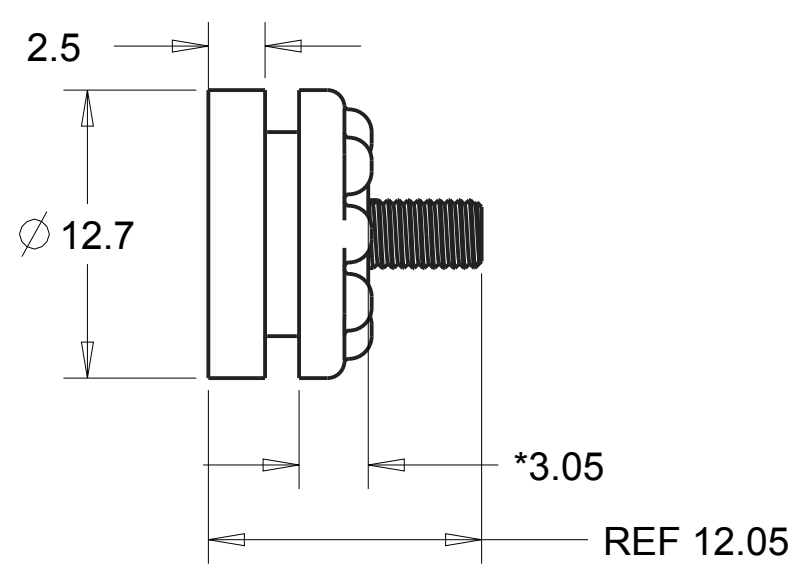
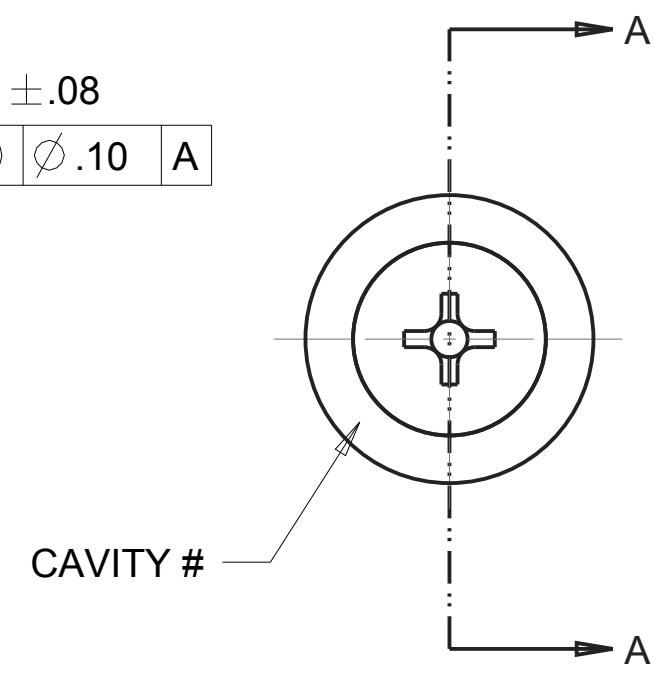


SECTION A-A



REVISIONS				
DRAWN	REV	DESCRIPTION	DATE	APPROVED
TC	-	PRODUCTION RELEASE	4-30-10	JS
TC	A	SEPERATED EACH PART INTO INDIVIDUAL PRINTS	6-2-10	JS
TC	02	CHANGED POSITION CALLOUT TO CONCENTRICITY CHANGED TOLERANCE FROM .05 TO .10MM	11-7-11	MS

5. USE THE TOLERANCE TABLE ON THE LEFT FOR ELASTOMERS.
4. FOR THE SCREW: CRITICAL PIN DIM TOLERANCE: $\pm 0.08\text{MM}$
ALL OTHER SCREW DIM TOLERANCES: $\pm 0.10\text{MM}$
3. FOR THE SCREW: Zn COATING, Cr6 FREE, ASTM B-117 (72 HOURS).
2. CRITICAL DIMENSIONS SHALL HAVE Cpk VALUE ≥ 1.33 WITH ON GOING SPC DATA REQUIRED.
1. CRITICAL DIMENSIONS ARE MARKED WITH "*".

NOTES:

SI-430-C8012	C-8012
SI-430-C8002	C-8002
SI-430-C8001	C-8001
SI-430-C1002	C-1002
PART #	ELASTOMER

RANGE	TOL
0 < DIM ≤ 2	± 0.15
2 < DIM ≤ 25	± 0.25
25 < DIM ≤ 50	± 0.4
50 < DIM	± 0.6

UNLESS OTHERWISE SPECIFIED UNITS ARE: MM [IN] TOLERANCE FOR ANGLES: $\pm 1.0^\circ$		MATERIAL: SEE TABLE		AEARO TECHNOLOGIES LLC * a 3M company	
ALLOWABLE FLASH: .12MM		QUALITY CONTROL: MUST COMPLY WITH E-A-R SPECIALTY COMPOSITES SUPPLIER QUALITY MANUAL REQUIREMENTS		TITLE SI-430 GROMMET	
GATE: $\pm .15\text{MM}$		NOTES: ANY FEATURE NOT DIMENSIONED IN PRINT MUST BE VISIBLY PRESENT, UTILIZE 3D CAD FOR CREATION		SIZE B	DRAWING NO. SI-430-X
				PAGE NO. 1 OF 1	