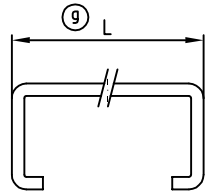
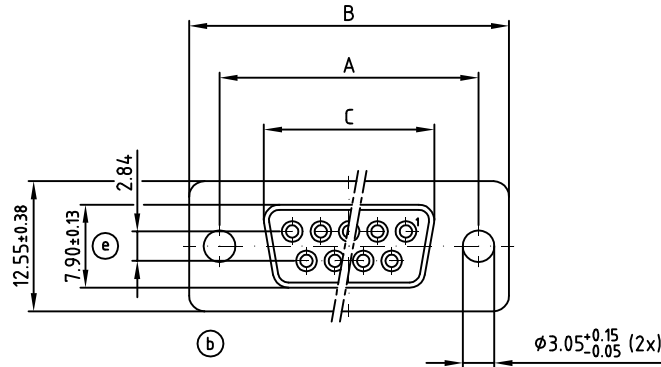


used for: D-SUB IDC CONNECTOR

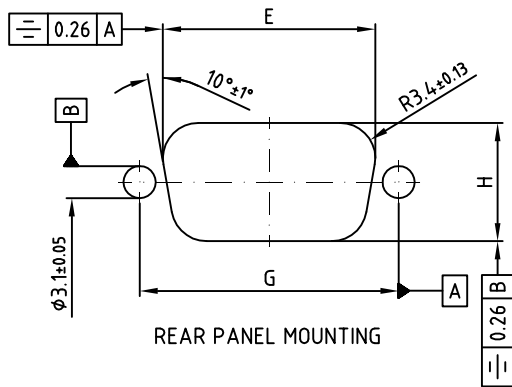
	e				f				g				
POS.	A $\begin{smallmatrix} +0.13 \\ -0.12 \end{smallmatrix}$	B ± 0.25	C $\begin{smallmatrix} +0.12 \\ -0.13 \end{smallmatrix}$	D ± 0.25	E ± 0.13	F ± 0.13	G ± 0.13	H ± 0.13	J ± 0.13	K ± 0.25	L ± 0.25	Part NO.	
9	24.99	30.80	16.34	16.10	20.5	22.2	25.00	11.4	13.0	19.15	16.10	302A10089X	
15	33.32	39.10	24.67	24.00	28.8	30.5	33.30	11.4	13.0	27.15	24.00	302A10099X	
25	47.04	53.09	38.39	38.14	42.5	44.3	47.04	11.4	13.0	41.45	38.14	302A10109X	
37	63.50	69.40	54.85	54.60	59.1	60.7	63.50	11.4	13.0	57.65	54.60	302A10119X	



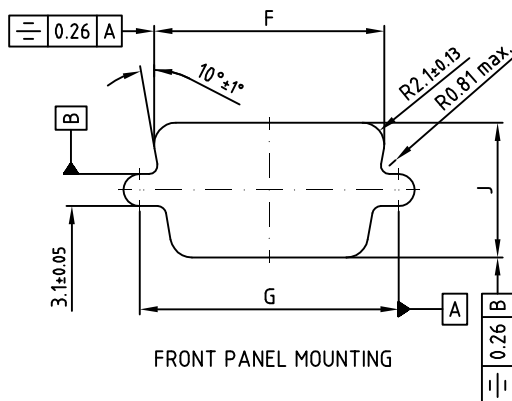
METAL STRAIN RELIEF



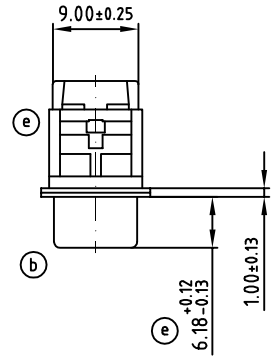
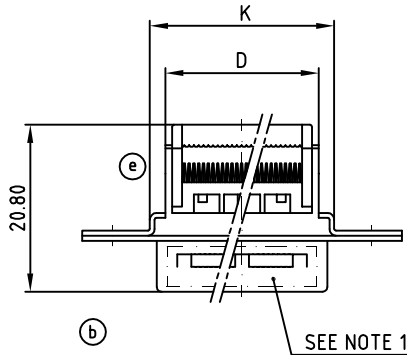
RECOMMENDED PANEL CUT-OUT



REAR PANEL MOUNTING



FRONT PANEL MOUNTING



SPECIFICATION :

- CURRENT RATING : 1 A
- INSULATION RESISTANCE : >1000 M OHM min. (AT 500 V DC)
- DIELECTRIC WITHSTANDING VOLTAGE : AC 500 V min. (FOR 1 MINUTE)
- OPERATING TEMPERATURE : -25°C to 85°C
- CONTACT RESISTANCE : 15m OHM max.
- DIELECTRIC MATERIAL : PBT & GLASS-FIBER REINFORCED UL 94V-0
- SHELL MATERIAL : SPCC, NICKEL PLATED
- CONTACT MATERIAL : PHOSPHOR BRONZE
- CONTACT PLATING : SELECTIVE GOLD over NICKEL
- WIRE SIZE : AWG 26 & 28 STRANDED, 1.27mm CONDUCTOR CENTRE FLAT CABLE
- CONNECTOR IS PART MARKED: 'PART-NO. CONEC ABC'

RoHS compliant

APPROVAL # FREIGABE # DEBLOCAGE # AUTORIZACION # APPROVAL

CUSTOMER APPROVAL DATE:

NAME: TITLE:

COMPANY NAME:

APPROVAL # FREIGABE # DEBLOCAGE # AUTORIZACION # APPROVAL

THIS DRAWING MAY NOT BE COPIED OR REPRODUCED IN ANY WAY, AND MAY NOT BE PASSED ON TO A THIRD PARTY, WITHOUT WRITTEN PERMISSION. OWNERSHIP AND COPYRIGHT OF CONEC GMBH DO NOT ALTER CAD DRAWING BY HAND

2 x g	Ä6247	27.07.2016	K.H.	2002	date	name
2 x f	Ä6008	03.06.2014	Lehmen	drawn	07.05.	Parei
6 x e	Ä4972	25.10.2013	Lehmen	appd.	07.05.	E. Mickenbecker
1 x d	Ä 2571	07.09.2006	Lehmen	norm		
1 x c	Ä 2568	30.08.2006	Lehmen	d-old		
3 x b	Ä 2561	24.08.2006	Lehmen			
a	Origin					
rev.	description	date	name			

scale: 2:1

material: SEE SPECIFICATION

title: D-SUB FEMALE I.D.C. TYPE 9-37pos. for flat cable

dwg no: AutoCAD 2006 DIN-A 3 sh:1/1

part no: SEE TABLE