

10 9 8 7 6 5 4 3 2 1

F

E

D

C

B

A

F

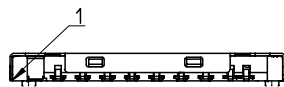
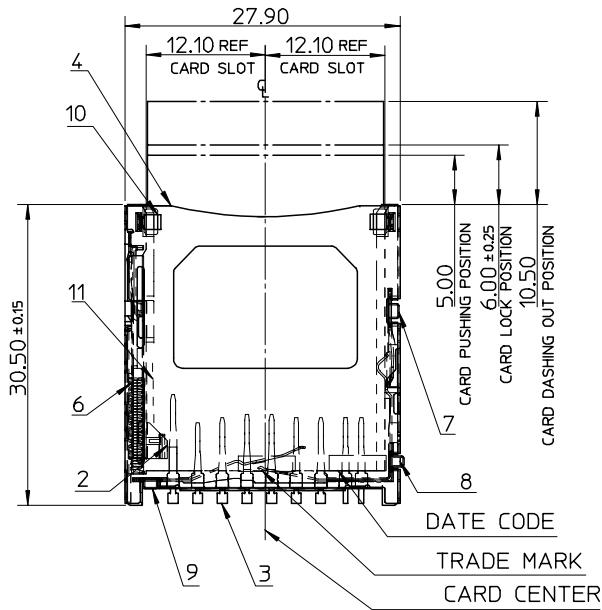
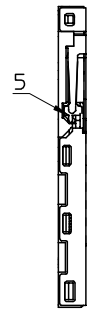
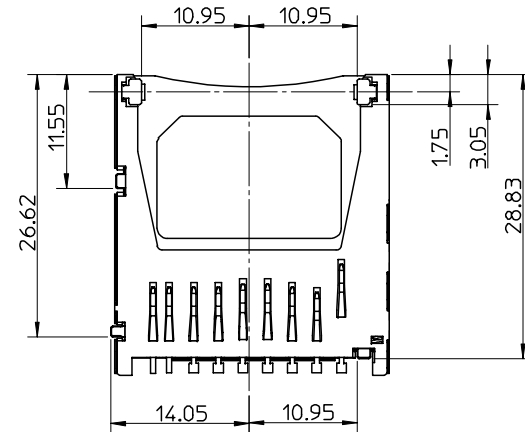
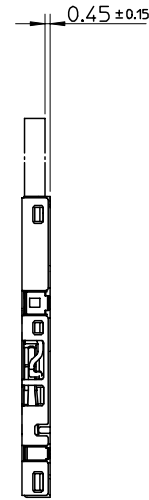
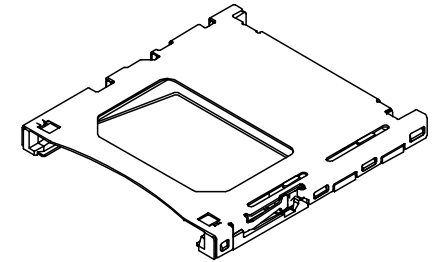
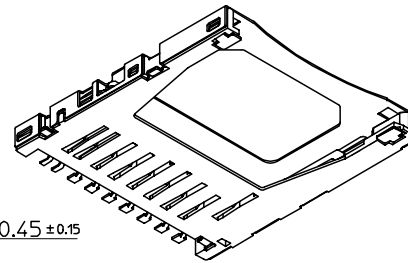
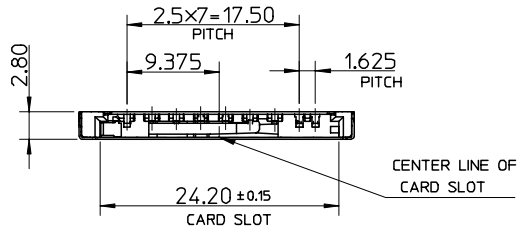
E

D

C

B

A



UPDATE DRAWING	2006/10/11
EC NO: SH2007-0231	2006/10/18
DRWN: ZHEN	2006/10/19
CHKD: JIAN	
APPR: JINCHEN	

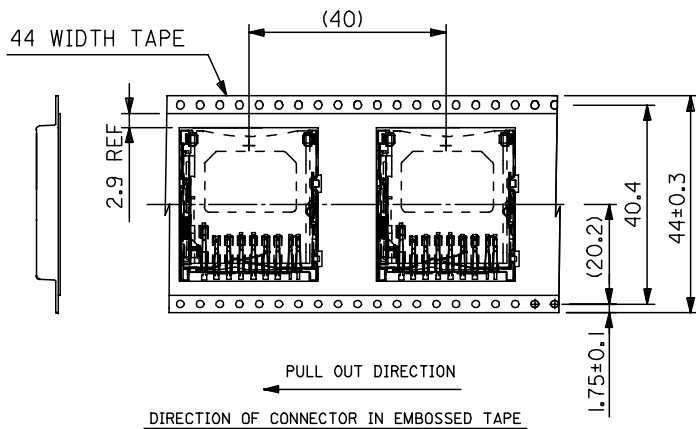
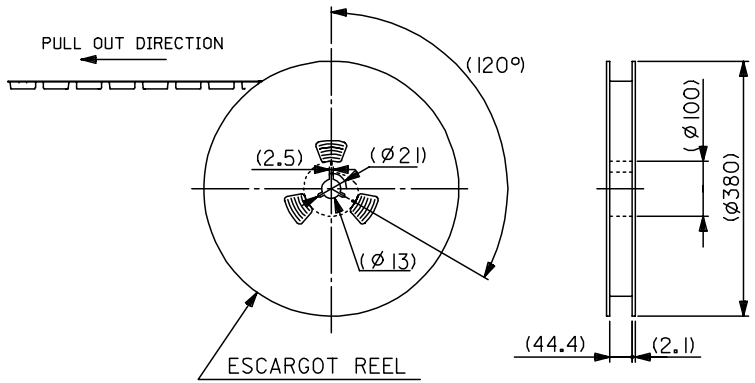
REV	DESCRIPTION
1	QUALITY SYMBOLS
2	▽=0
3	∇=0

GENERAL TOLERANCES (UNLESS SPECIFIED)	
4 PLACES	± ---
3 PLACES	± ---
2 PLACES	± 0.25
1 PLACE	± 0.25
ANGULAR ± 3 °	
DRAFT WHERE APPLICABLE MUST REMAIN WITHIN DIMENSIONS	

DRAWN BY		DATE	
CHECKED BY		DATE	
APPROVED BY		DATE	
MATERIAL NO.		DOCUMENT NO.	
676008002		SD-67600-003	

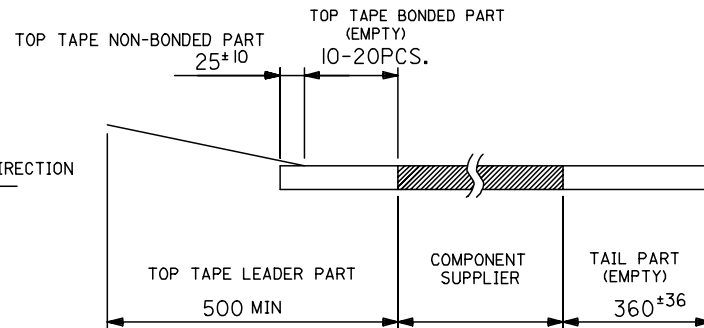
DIMENSION STYLE	SCALE	DESIGN UNITS	THIRD ANGLE PROJECTION
MM ONLY	1:1	METRIC	
SD MEMORY CARD CONN. ASS'Y (TOP MOUNT TYPE) LEAD-FREE			
MOLEX INCORPORATED			
SHEET NO.			1 OF 3
THIS DRAWING CONTAINS INFORMATION THAT IS PROPRIETARY TO MOLEX INCORPORATED AND SHOULD NOT BE USED WITHOUT WRITTEN PERMISSION			

9 8 7 6 5 4 3 2 1

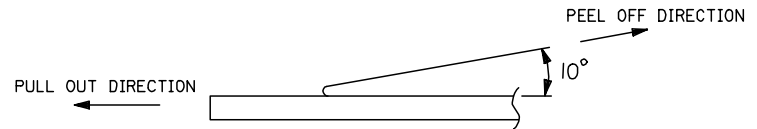


NOTES

1. NUMBER OF CONNECTORS: 400 PCS/REEL
- 2.



3. PEEL-OFF FORCE OF TOP TAPE: 0.1~1.3 N (10.2~130gf)
(PEELING DIRECTION AS SHOWN IN FOLLOWING FIG.)
<PEEL-OFF SPEED:300mm/min (REF.)>



UPDATE DRAWING	2006/10/19
EC NO: SH2007-0231	
DRWN:ZHEN	
CHKD:JIAN	
APPR: JNCHEN	
REV	DESCRIPTION

QUALITY SYMBOLS	▽=0
	▽C=0

GENERAL TOLERANCES (UNLESS SPECIFIED)	DIMENSION STYLE	
	MM ONLY	
	mm	INCH
4 PLACES	± ---	± ---
3 PLACES	± ---	± ---
2 PLACES	± 0.25	± ---
1 PLACE	± 0.25	± ---
	ANGULAR ± 3 °	
DRAFT WHERE APPLICABLE MUST REMAIN WITHIN DIMENSIONS		

DRAWN BY	DATE
DAVID HU	2004/12/20
CHECKED BY	DATE
HARVEY	2004/12/20
APPROVED BY	DATE
VINCENT	2004/12/20
MATERIAL NO.	
676008002	

SCALE	DESIGN UNITS	THIRD ANGLE PROJECTION
1:1	METRIC	
TITLE		
SD MEMORY CARD CONN. ASS'Y (TOP MOUNT TYPE) LEAD-FREE		
MOLEX INCORPORATED		
DOCUMENT NO.	SHEET NO.	
SD-67600-003	3 OF 3	