

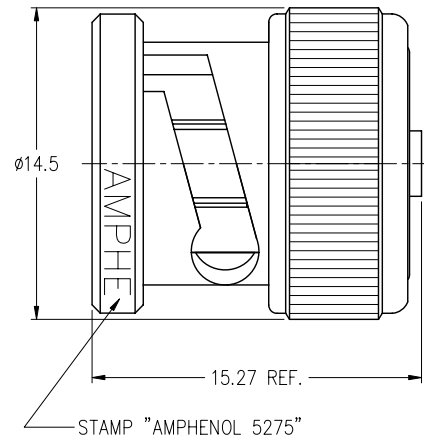
NOTES:

1. MATERIALS AND FINISHES:
 BODY – BRASS, NICKEL PLATING
 CONTACT – BRASS, SILVER PLATING
2. MECHANICAL:
 A. DURABILITY: 500 CYCLES MIN.
 B. TEMPERATURE RANGE: – 65°C to +165°C

THIRD ANGLE PROJ. 

REVISIONS

REV	DESCRIPTION	DATE	ECO	APPR
B	SEE SHEET 1	10-Mar-08	--	AW
J	SEE SHEET 1	24-Aug-10	47967	SH



CUSTOMER OUTLINE DRAWING
 ALL OTHER SHEETS ARE FOR INTERNAL USE ONLY

UNLESS OTHERWISE SPECIFIED, DIMENSIONS ARE IN METRIC AND TOLERANCES ARE: <0.5mm ±0.05mm 0.5 – 6mm ±0.1mm 6 – 30mm ±0.2mm 30 – 120mm ± 0.3mm ANGLES ±1°	MATERIAL	DRAWN T.DENG ENGINEER C.WANG APPROVED S.HSIEH CAD FILE F:\DWG\CNPD\5275-JSZ	DATE 04-Feb-10 DATE 04-Feb-10 DATE 24-Aug-10	TITLE BNC SHORTING PLUG LESS CHAIN SCALE: 3/1 SHEET 2 OF 2 DWG SIZE B CODE ID 74868 REV J	Amphenol RF Danbury CT USA, Tainan Taiwan, Shenzhen China www.amphenolrf.com
	NOTICE – These drawings, specifications, or other data (1) are, and remain the property of Amphenol Corp. (2) must be returned upon request; and (3) are confidential and not to be disclosed to any person other than those to whom they are given by Amphenol Corp. The furnishing of these drawings, specifications, or other data by Amphenol Corp., or to any other person to anyone for any purpose is not to be regarded by implication or otherwise in any manner licensing, granting rights or permitting such holder or any other person to manufacture, use or sell any product, process or design, patented or otherwise, that may in any way be related to or disclosed by said drawings, specifications, or other data.	REFERENCE	FINISH		DRAWING NO. 5275 ITEM NO. 5275 PART NO. 5275