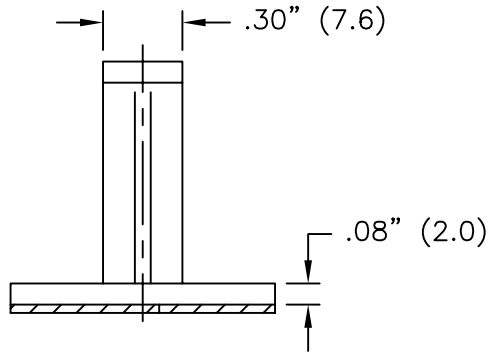
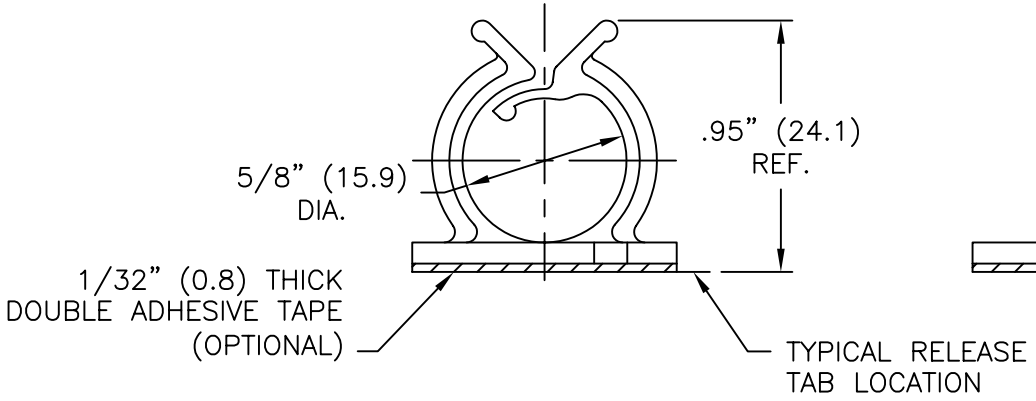
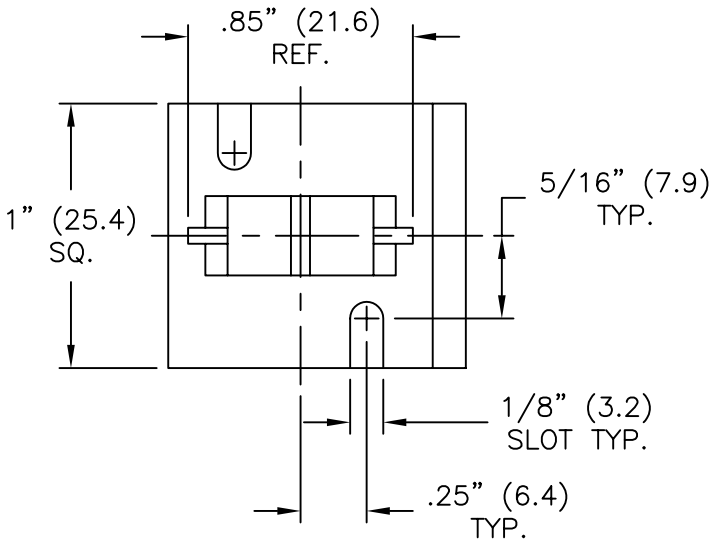


PART NUMBER	
W/O TAPE	RWSB-10-01
W/ARCYLIC TAPE	RWSB-10-01A-RT



NOTES:

1. MATERIAL: NYLON 66 (RMS-01).  
COLOR: NATURAL.
2. FLAME RETARDANT NYLON (RMS-19).  
COLOR: NATURAL, BY SPECIAL ORDER.
3. DOUBLE-SIDED ADHESIVE  
ARCYLIC TAPE (RMS-15).

TITLE: ROUND WIRE SADDLE ON BASE, 5/8" DIA.				⊕	⊞	DWG IN IN (MM)	QR
TOLERANCES UNLESS NOTED .XX=±.010 .XXX=±.005 FRAC=±1/64 ANG=1/2'	FILE # RWSB10	DWN: S.M.	APP:	FINAL			
	MAT'L: SEE NOTES	DT: 03/29/01	DT:	PART #		PRINT	
	RE: RICHCO, INC.	RICHCO INC. PO BOX 804238, CHICAGO, 60680 (773) 539-4060		SEE TABLE		TYPE CA	

REV	DESCRIPTION	ENGR	DATE
-----	-------------	------	------