

4

3

2

1

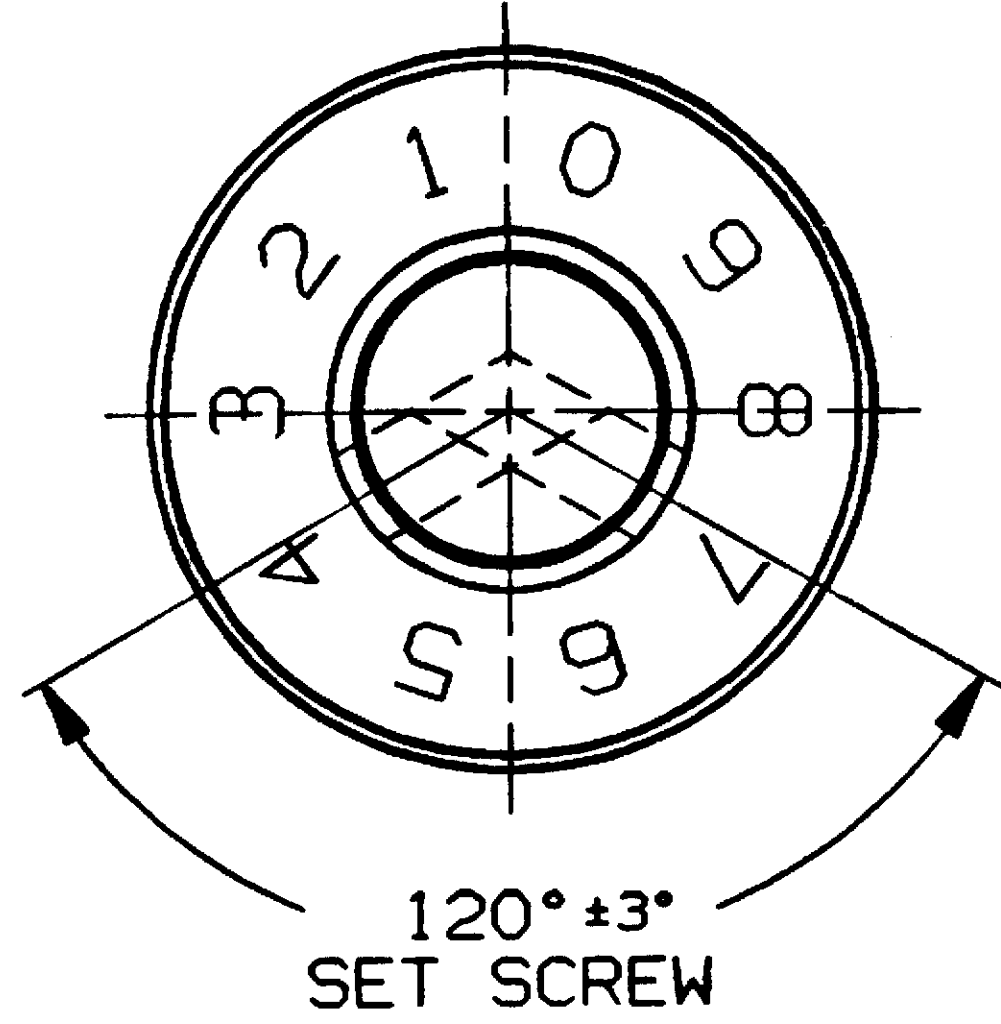
CONVERSION CHART	
INCH	MM
.003	0.08
.004	0.10
.008	0.20
.012	0.30
.015	0.38
.02	0.5
.020	0.51
.157	3.98
.059	1.50
.126	3.20
.157	3.99
.158	4.01
.630	16.00
.236	5.99
.251	6.38
.314	7.98
.393	9.98
.433	11.00
.500	12.7
.631	16.03
2.520	57.15
.708	17.98
.826	20.98
.950	24.13
1.000	25.4

SPECIFICATIONS:

MATERIALS:
MATERIAL: ALUMINUM.
FINISH: SEE NOTE 2.

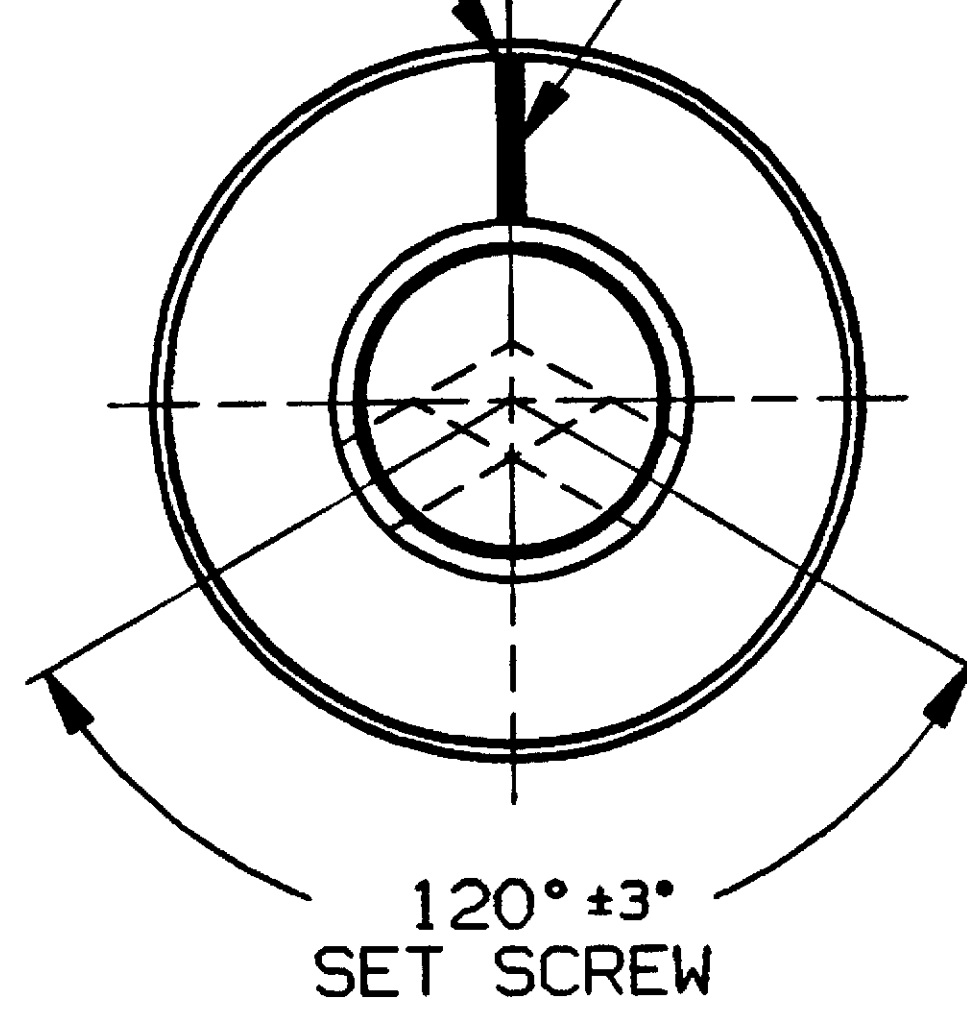
NOTES:

1. INTERPRET DRAWING PER ASME Y14.5M-1994.
2. FINISH ADD SUFFIX "A" TO MODEL NO. FOR NATURAL ALUMINUM BODY WITH BLACK INDICATOR LINE, ADD SUFFIX "B" TO MODEL NO. FOR BLACK ANODIZED BODY WITH WHITE INDICATOR LINE.

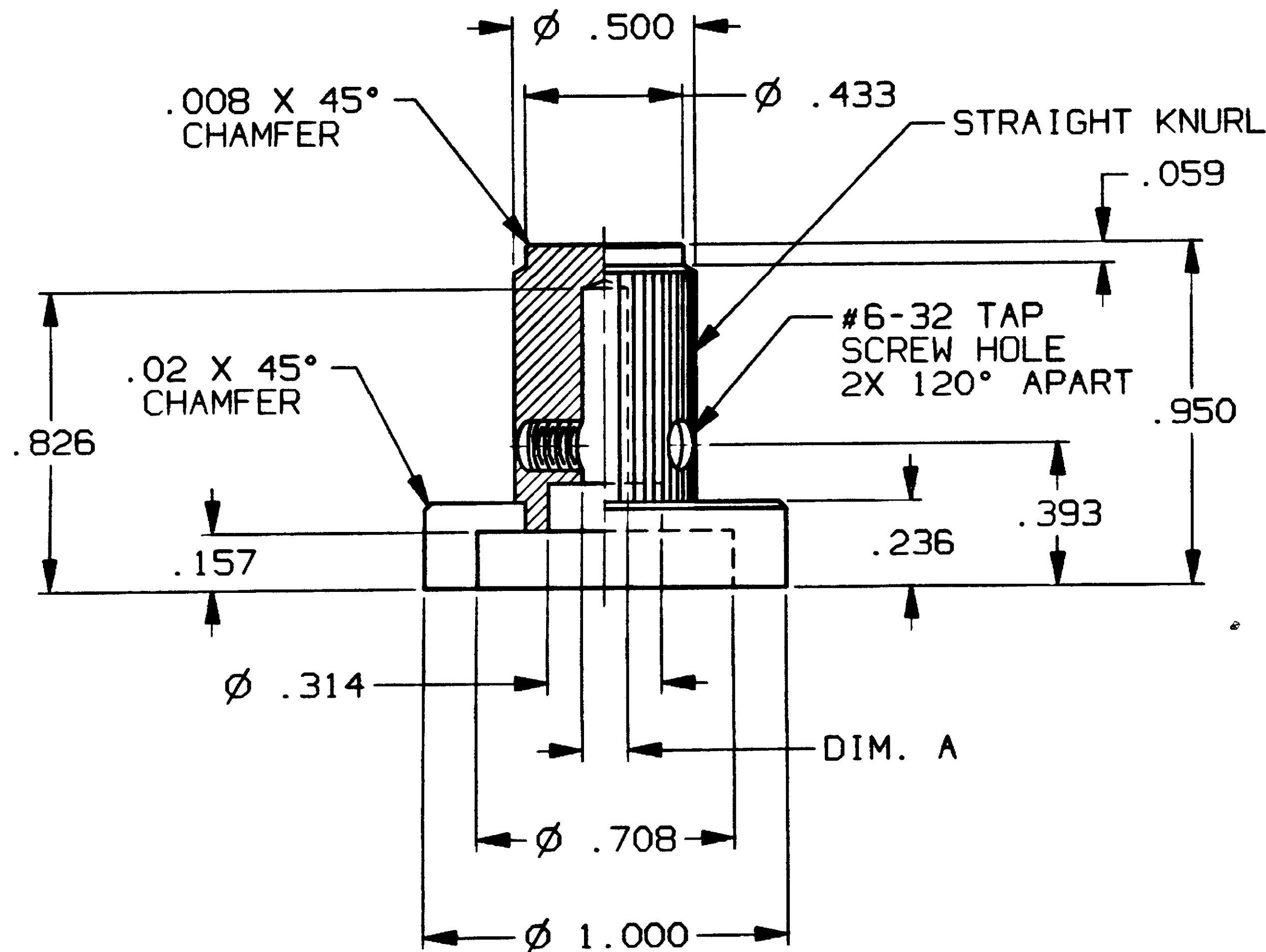


KBS-500-10

DIE STAMPED FILLED WITH LACQUER
INDICATOR LINE .031W X .012D
SEE NOTE 2



KBS-500



SHAFT HOLE DIA. DIM. A	
1/4	.251 ^{+.003} _{-.000}
1/8	.126 ^{+.003} _{-.000}

OUTLINE DRAWING
SPECIFICATIONS ARE SUBJECT TO CHANGES WITHOUT NOTICE

<p>THIRD ANGLE PROJECTION</p>	UNLESS OTHERWISE SPECIFIED DIMENSIONS ARE IN INCHES DO NOT SCALE PRINT		ORIGINAL DATE OF DRAWING: 11-15-95
	TOLERANCES (EXCEPT AS NOTED) ANGULAR = ±3° DECIMAL .XX = ± DECIMAL .XXX = ±.015 DECIMAL .XXXX = ±	FILE NAME: 80248OUT	DIRECTORY: KNOBS
<p>AUGAT CONFIDENTIAL This document contains information which is the exclusive property of Augat Inc. Distribution, reproduction or use by others is not permitted without the expressed written consent of Augat Inc.</p>	MATERIAL: SEE SPECIFICATIONS		CHECKED: DATE:
	FINISH: SEE SPECIFICATIONS		APPROVED: <i>[Signature]</i> DATE: 11-15-95
	CODE IDENT. NO. 91506	DWG. SIZE C	DWG. NO. 80248-SD
NEXT ASSY:		PRODUCT CODE: M11	REV. ○

THIS IS A C.A.D. GENERATED DRAWING. DO NOT MAKE MANUAL REVISIONS TO MASTER.

AUGAT 452 JOHN DIETSCH BLVD. ATTLEBORO FALLS, MASS. 02763 INC.

TITLE: **OUTLINE DRAWING**
KNOB
(KBS-500)
SCALE: 2:1 SHEET 1 OF 1

REV 0
INITIAL RELEASE
ESR#7067
SEK 11-15-95
APP'D: *[Signature]* / 11-15-95

4

3

2

1