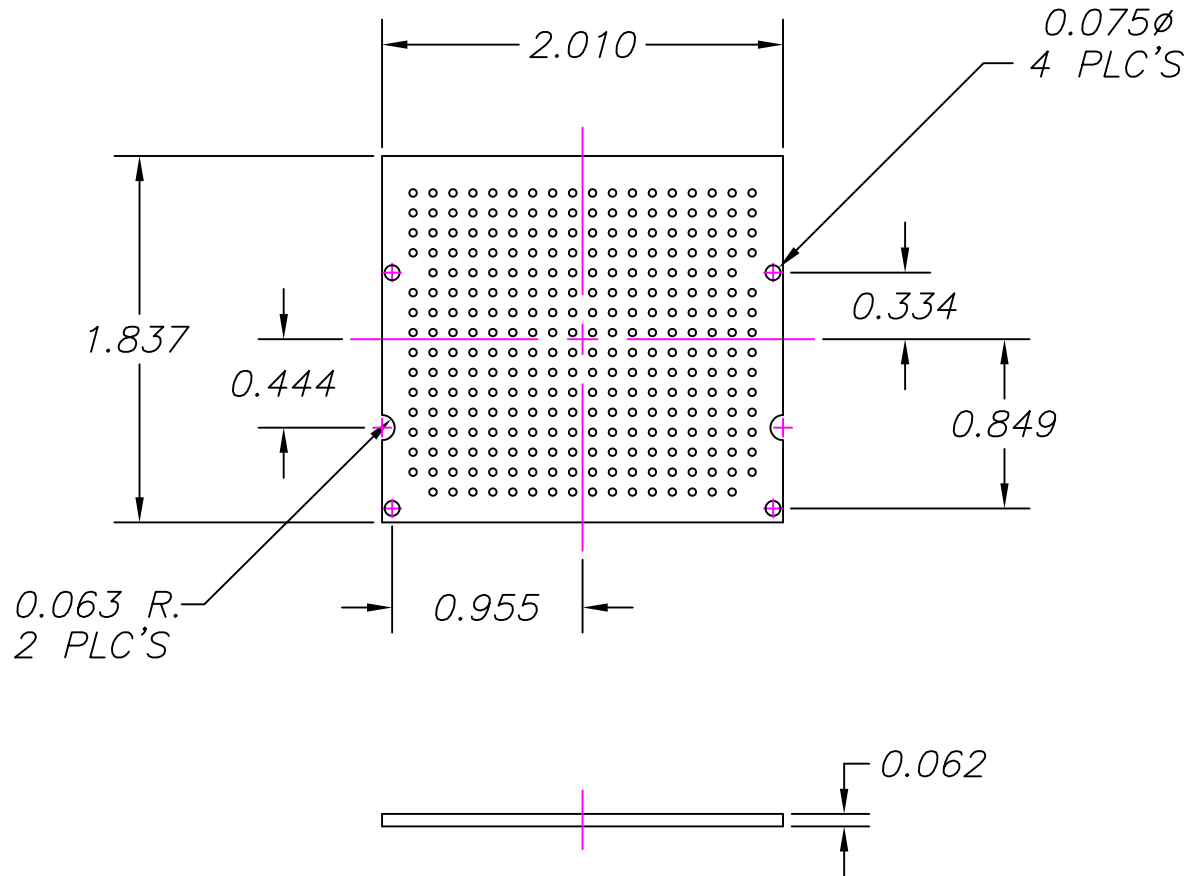


NO.	REVISION	DATE
A	Update dwg G & C in 1 dwg.	4/02



NOTES:

1. GRID BOARD: 0.038 ϕ HOLES, 0.100 CENTER TO CENTER SPACING.
2. MATERIAL: G-10 GLASS EPOXY.
3. MATERIAL: CLAD BOARD-2 OZ., 2/0 COPPER FOIL -No Holes.