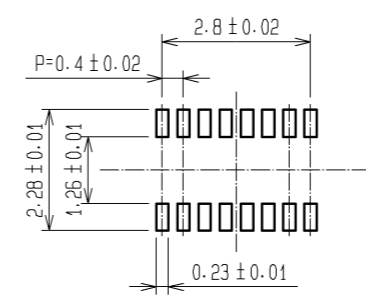
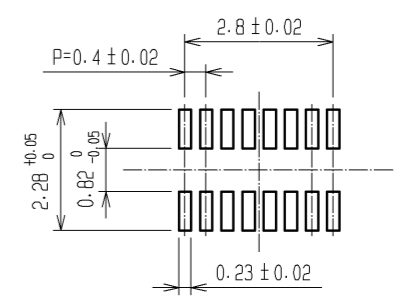


RECOMMENDED METAL MASK
OPENING PATTERN

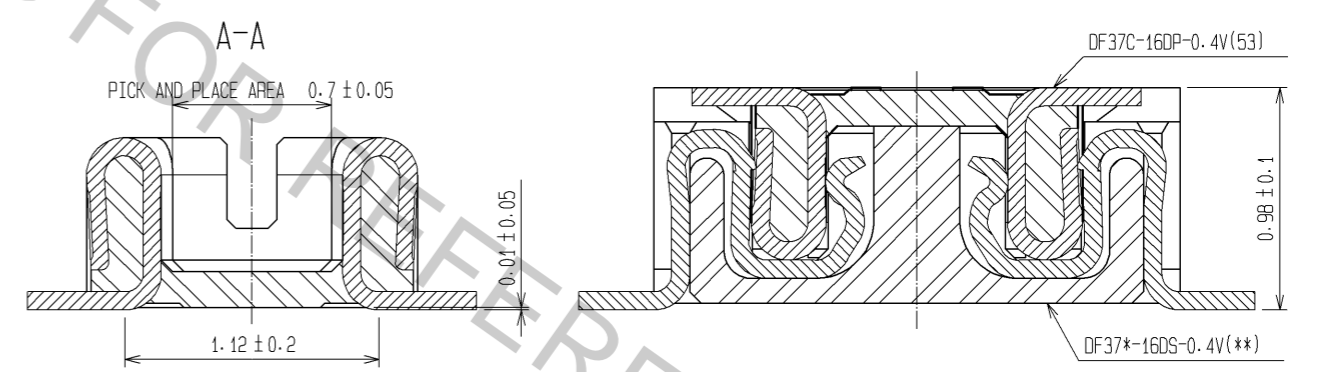


RECOMMENDED SOLDER PASTE THICKNESS: 120#m

RECOMMENDED PATTERN



ENGAGEMENT FIGURE

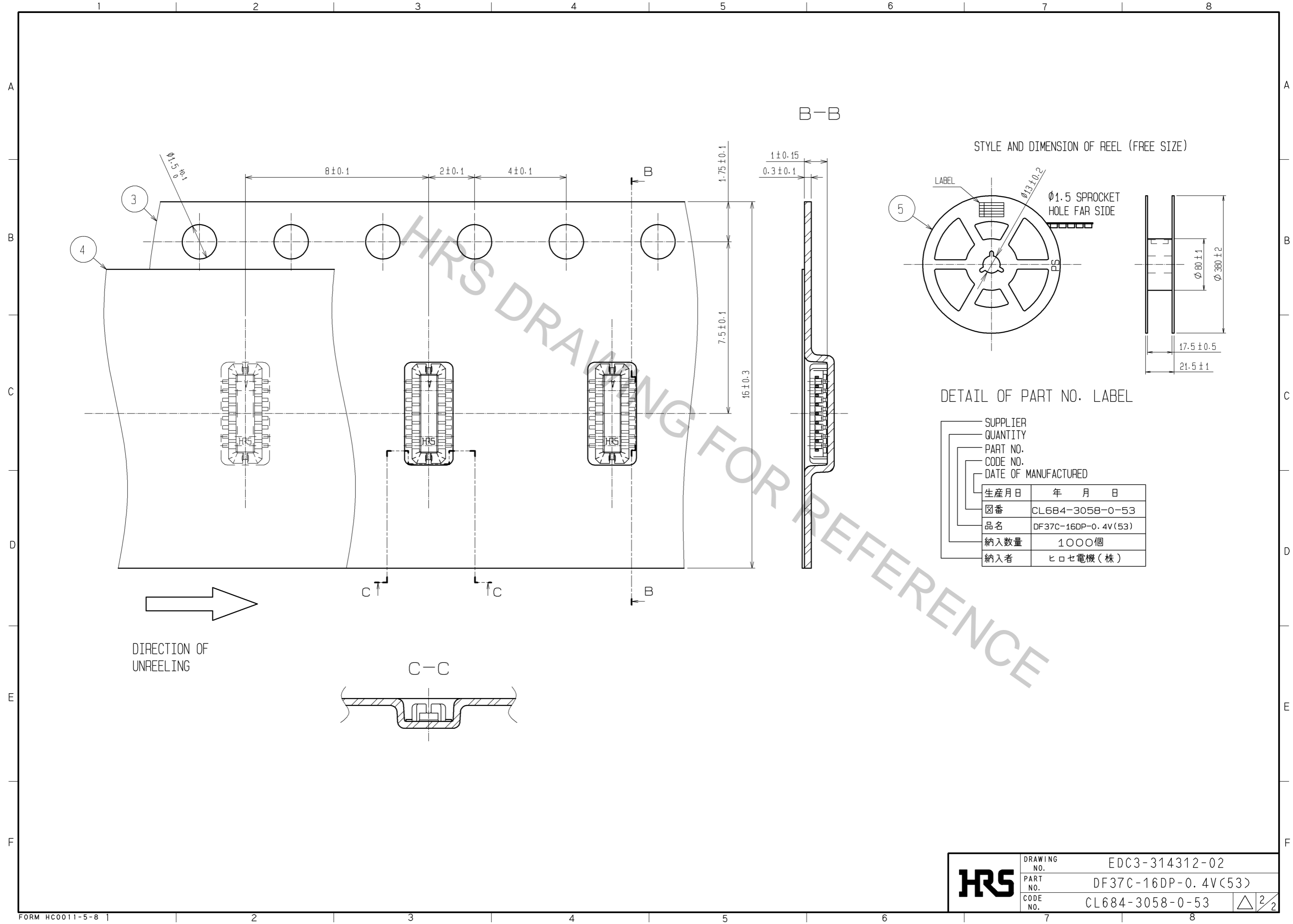


- NOTE 1. ALL LEADS CO-PLANARITY SHALL BE 0.1 MAX.
 2. PER REEL : 1000 CONNECTORS.
 3. AT THE BEGINNING OF THE REEL, 100 mm AT MIN SHALL BE EMPTY POCKETS.
 AT THE END OF THE REEL, 160 mm AT MIN SHALL BE EMPTY.
 4. CONTACT PLATING SPECIFICATIONS.
 CONTACT AREA : GOLD 0.05#m MIN.
 SMT LEAD : GOLD 0.05#m MIN.
 UNDERPLATING : NICKEL 1#m MIN.
 (SURFACE : SEALING)
 5. PEEL FORCE OF COVER TAPE REFERS TO JIS C 0806.

| | | | | | |
|------------------------|-----------------|-----------------|------------------------------|-----------|------------------------------|
| 2 | PHOSPHOR BRONZE | 4 | 5 | PS | PLASTIC REEL (BLACK) |
| 1 | LCP | UL94V-0, BLACK | 4 | POLYESTER | CLEAR(COVER TAPE) |
| | | | 3 | PS | CLEAR(EMBOSSED CARRIER TAPE) |
| NO. | MATERIAL | FINISH, REMARKS | NO. | MATERIAL | FINISH, REMARKS |
| UNITS | mm | SCALE | FREE | COUNT | DESCRIPTION OF REVISIONS |
| | | | | | DESIGNED |
| | | | | | CHECKED |
| | | | | | DATE |
| APPROVED : KH. IKEDA | | 08.12.26 | DRAWING NO. EDC3-314312-02 | | |
| CHECED : TS. MIYAZAKI | | 08.12.26 | PART NO. DF37C-16DP-0.4V(53) | | |
| DESIGNED : RT. SHIMIZU | | 08.12.25 | CODE NO. CL684-3058-0-53 | | |
| DRAWN : AK. AOYAGI | | 08.12.24 | 1/2 | | |

Apr.1.2017 Copyright 2017 HIROSE ELECTRIC CO., LTD. All Rights Reserved.

Apr.1.2017 Copyright 2017 HIROSE ELECTRIC CO., LTD. All Rights Reserved.



DETAIL OF PART NO. LABEL

| | |
|----------------------|---------------------|
| SUPPLIER | |
| QUANTITY | |
| PART NO. | |
| CODE NO. | |
| DATE OF MANUFACTURED | |
| 生産月日 | 年 月 日 |
| 図番 | CL684-3058-0-53 |
| 品名 | DF37C-16DP-0.4V(53) |
| 納入数量 | 1000個 |
| 納入者 | ヒロセ電機(株) |

| | | |
|------------|-------------|---------------------|
| HRS | DRAWING NO. | EDC3-314312-02 |
| | PART NO. | DF37C-16DP-0.4V(53) |
| | CODE NO. | CL684-3058-0-53 |
| | | \triangle 2/2 |