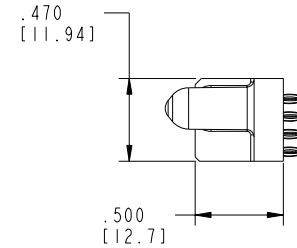
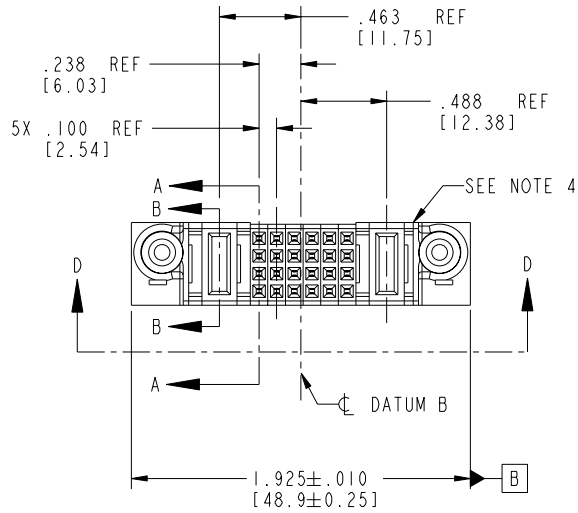


Tous droits strictement réservés. Reproduction ou communication a des tiers interdite sous quelque forme que ce soit sans autorisation écrite du propriétaire. Propriété de c FCI. Droits de reproduction FCI.

All rights strictly reserved. Reproduction or issue to third parties in any form whatever is not permitted without written authority from the proprietor. Property of FCI. Copyright FCI.

PRODUCT NO.	ROWS	POWER		SIGNAL					POWER		
		E2	P2	6	5	4	3	2	1	P1	E1
51940-004-- NOTE: 3	D C B A			F	F	F	F	F	F		
				F	F	F	F	F	F		
				F	F	F	F	F	F		
				F	F	F	F	F	F		



CODE	DIM "M" MATING LENGTH	CONTACT TYPE
F	N/A [N/A]	SIGNAL
PC	.042 [1.07]	POWER

mat'l code				SEE NOTE 2		tolerances unless otherwise specified		CUSTOMER		 www.fciconnect.com	
ltr	ecn no.	dr	date	linear	.XX±.01/0.X±0.3		COPY		 title IP + 24S + IP VERT PRESS FIT RECEPTACLE	product family PwrBlade code 213	
A	V12526	JWS	11/9/01		.XXX±.005/0.XX±0.13		projection			size dwg no	
B	DG05-0418	CS	10/25/05		.XXX±.002/0.XX±0.051		 scale 1:1			A 51940-004	
					angles 0°±2°					sheet 1 of 4	
					dr J. SHAFFER 11/9/01						
				enr J. ALLISON 11/9/01							
				chr J. ALLISON 11/9/01							
				appd J. ALLISON 11/9/01							
sheet index	revision	B	B	B	B						
	sheet	1	2	3	4						

cage code 22526 4

PDM: Rev:B

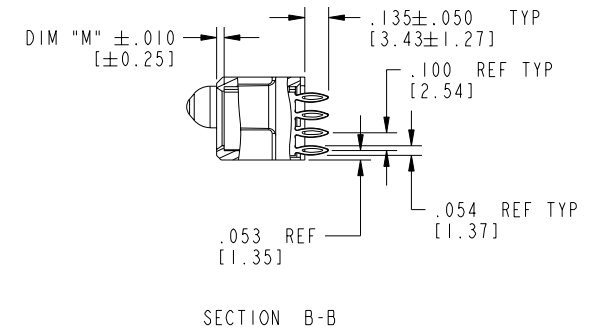
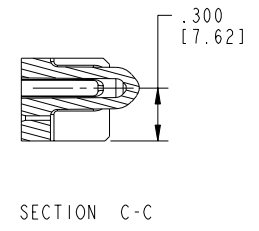
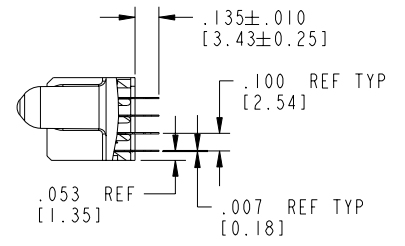
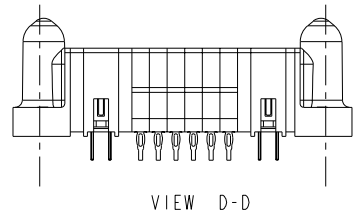
STATUS: Released

Printed: Dec 20, 2010

Tous droits strictement réservés. Reproduction ou communication a des tiers interdite sous quelque forme que ce soit sans autorisation écrite du propriétaire. Propriété de c FCI. Droits de reproduction FCI.

All rights strictly reserved. Reproduction or issue to third parties in any form whatever is not permitted without written authority from the proprietor. Property of FCI. Copyright FCI.

PRODUCT NUMBER
51940-004__
NOTE: 3



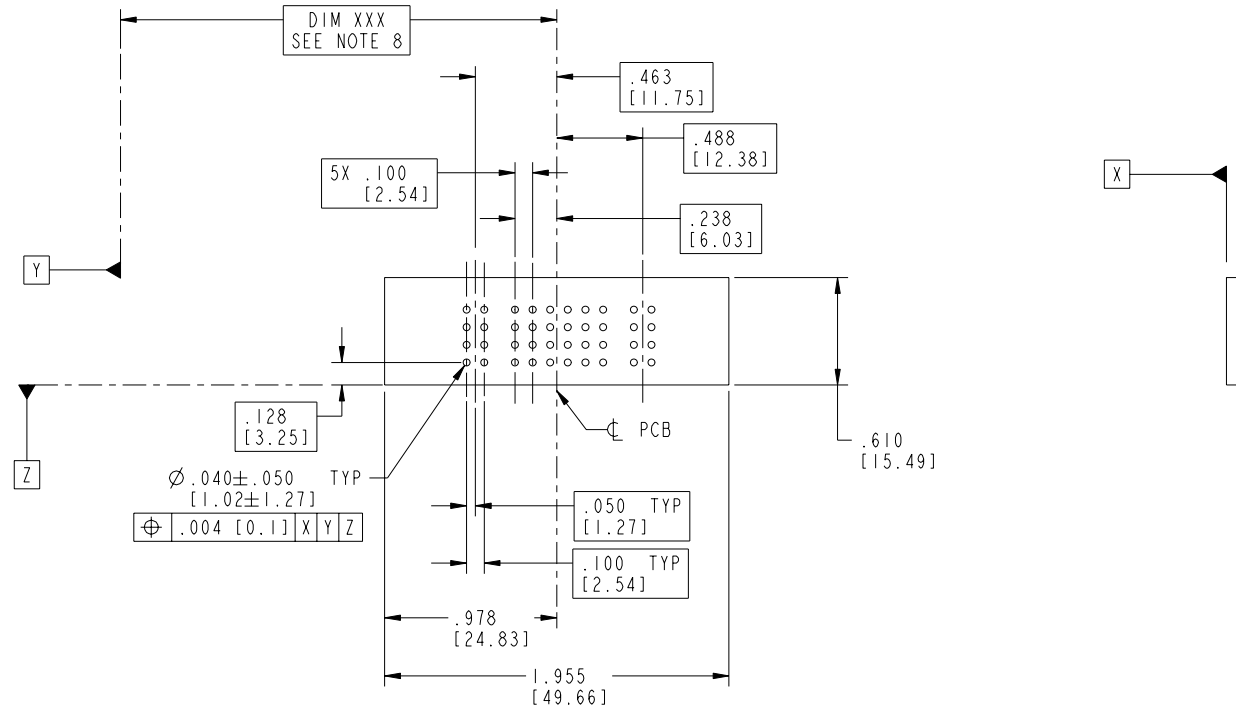
mat'l code		SEE NOTE 2		tolerances unless otherwise specified		CUSTOMER		 www.fciconnect.com	
ltr	ecn no.	dr	date	linear	.XX±.01/0.X±0.3	COPY		projection	title
B					.XXX±.005/0.XX±0.13				IP + 24S + IP
				angles	.XXX±.0020/0.XXX±0.051				VERT PRESS FIT RECEPTACLE
				dr	0°±2°				product family
				enr	J. SHAFFER 11/9/01	scale			PwrBlade
				chr	J. ALLISON 11/9/01	1:1		A	code
				appd	J. ALLISON 11/9/01				213
sheet index	revision sheet								51940-004
									2

cage code 22526

Tous droits strictement réservés. Reproduction ou communication a des tiers interdite sous quelque forme que ce soit sans autorisation écrite du propriétaire. Propriété de c FCI. Droits de reproduction FCI.

All rights strictly reserved. Reproduction or issue to third parties in any form whatever is not permitted without written authority from the proprietor. Property of FCI. Copyright FCI.

PRODUCT NUMBER
51940-004__
NOTE: 3



mat'l code		SEE NOTE 2		tolerances unless otherwise specified		CUSTOMER		 www.fciconnect.com	
ltr	ecn no.	dr	date	linear	.XX±.01/0.X±0.3	COPY		projection	title
B					.XXX±.005/0.XX±0.13				IP + 24S + IP
				angles	.XXX±.0020/0.XX±0.051				VERT PRESS FIT RECEPTACLE
					0° ± 2°			INCH/MM	product family
				dr	J. SHAFFER 11/9/01			scale	PwrBlade
				enr	J. ALLISON 11/9/01			1:1	code
				chr	J. ALLISON 11/9/01			A	213
				appd	J. ALLISON 11/9/01			51940-004	sheet
									3
sheet index	revision sheet								

cage code 22526

Pro/E

PDM: Rev:B

STATUS: Released

Printed: Dec 20, 2010

Tous droits strictement réservés. Reproduction ou communication à des tiers interdite sous quelque forme que ce soit sans autorisation écrite du propriétaire. Propriété de c FCI. Droits de reproduction FCI.

A
FCI

All rights strictly reserved. Reproduction or issue to third parties in any form whatever is not permitted without written authority from the proprietor. Property of FCI. Copyright FCI.

PRODUCT NUMBER
51940-004_
NOTE: 3

NOTES:
1. DIMENSIONS AND TOLERANCES ARE IN ACCORDANCE WITH ASME Y14.5M,
UNLESS OTHERWISE SPECIFIED.

CONNECTOR NOTES

- ② HOUSING MATERIAL: UL 94 V-0 GLASS FILLED HIGH TEMP THERMOPLASTIC
POWER CONTACT MATERIAL: COPPER ALLOY
SIGNAL CONTACT MATERIAL: COPPER ALLOY
- ③ PLATING:
51940-004 Singal Pin:30u"/0.76um Au OVER 50u"/1.27um Ni ON THE CONTACT AREA,
AND 100u"/2.54um SnPb PLATING OVER 50u"/1.27um Ni ON THE TERMINATION SECTION.
Power Pin:30u"/0.76um Au OVER 50u"/1.27um Ni ON THE CONTACT AREA,
AND 100u"/2.54um SnPb PLATING OVER 50u"/1.27um Ni ON THE TERMINATION SECTION.

51940-004LF Singal Pin:30u"/0.76um Au OVER 50u"/1.27um Ni ON THE CONTACT AREA,
AND 78u"/2.00um Sn PLATING OVER 50u"/1.27um Ni ON THE TERMINATION SECTION.
Power Pin:30u"/0.76um Au OVER 50u"/1.27um Ni ON THE CONTACT AREA,
AND 78u"/2.00um Sn PLATING OVER 50u"/1.27um Ni ON THE TERMINATION SECTION.

PART NUMBER 51940-004LF MEETS EUROPEAN UNION DIRECTIVE AND OTHER COUNTRY REGULATIONS AS DESCRIBED IN GS-22-008.
THE HOUSING WILL WITHSTAND EXPOSURE TO 260° PEAK TEMPERATURE FOR 10 SECONDS IN A WAVE SOLDER APPLICATION WITH A CIRCUIT BOARD.

- ④ "MANUFACTURER" NAME, P/N, AND DATE CODE TO APPEAR ON THIS SURFACE
- ⑤ PRODUCT SPECIFICATION GS-12-149

PCB NOTES:

- 6. ALL HOLE DIAMETERS ARE FINISHED HOLE SIZE
- 7. $\varnothing 0.0453 \pm 0.0010$ [1.151 \pm 0.025] DRILLED HOLES PLATED WITH 0.0003 [0.008] MIN SnPb OVER 0.001 [0.03] TO 0.003 [0.08] Cu PLATING TO ACHIEVE A $\varnothing 0.040 \pm 0.003$ [1.02 \pm 0.07] HOLE.
- 8. "DIM "XXX" TO BE DETERMINED BY THE CUSTOMER.

mat'l code				SEE NOTE 2		tolerances unless otherwise specified		CUSTOMER		A FCI		www.fciconnect.com	
ltr	ecn no.	dr	date	linear	.XX+ .01/0.X+0.3	projection		COPY		title		IP + 24S + IP	
B					.XXX+ .005/0.XX+0.13	INCH/MM		product family		PwrBlade		code	
				angles	.XXX+ .0020/0.XX+0.051	1:1		size		dwg no		213	
				dr	0° ± 2°			scale		A		sheet	
				engr	J. SHAFFER 11/9/01			A		51940-004		4	
				chr	J. ALLISON 11/9/01								
				appd	J. ALLISON 11/9/01								
sheet index	revision sheet												

cage code 22526 4