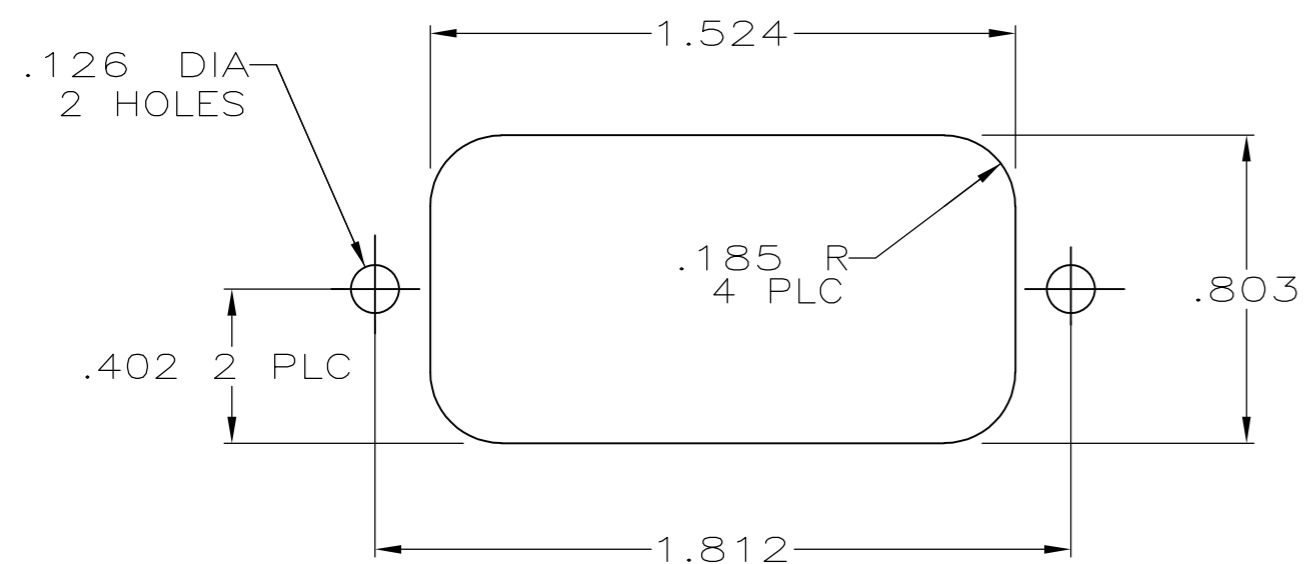
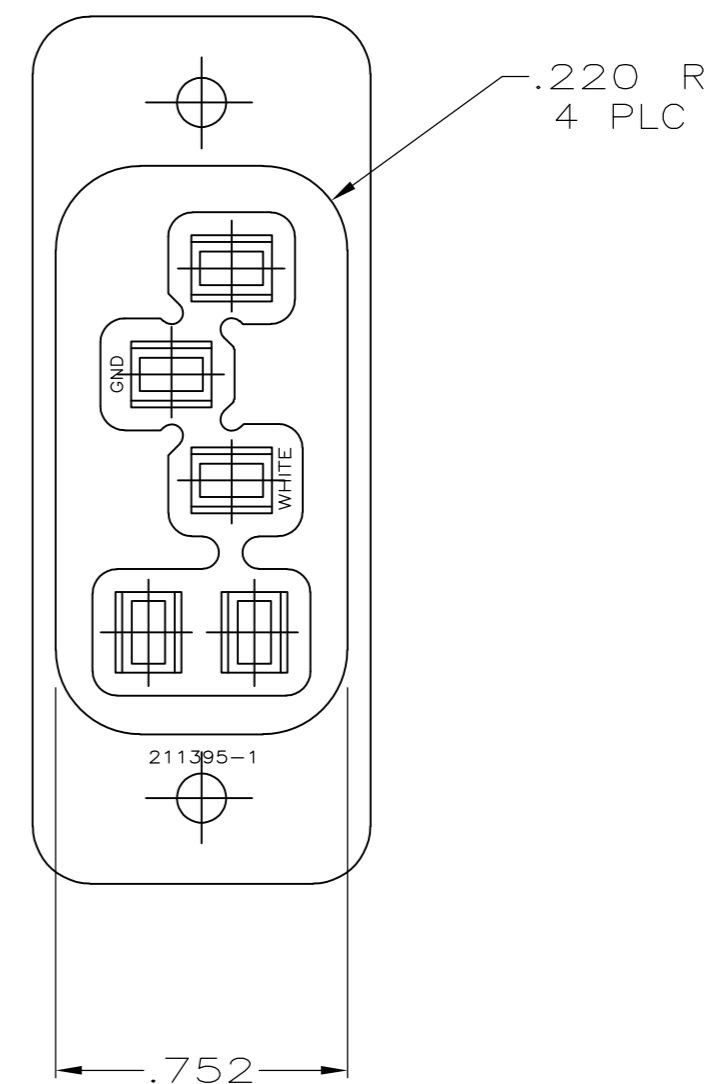
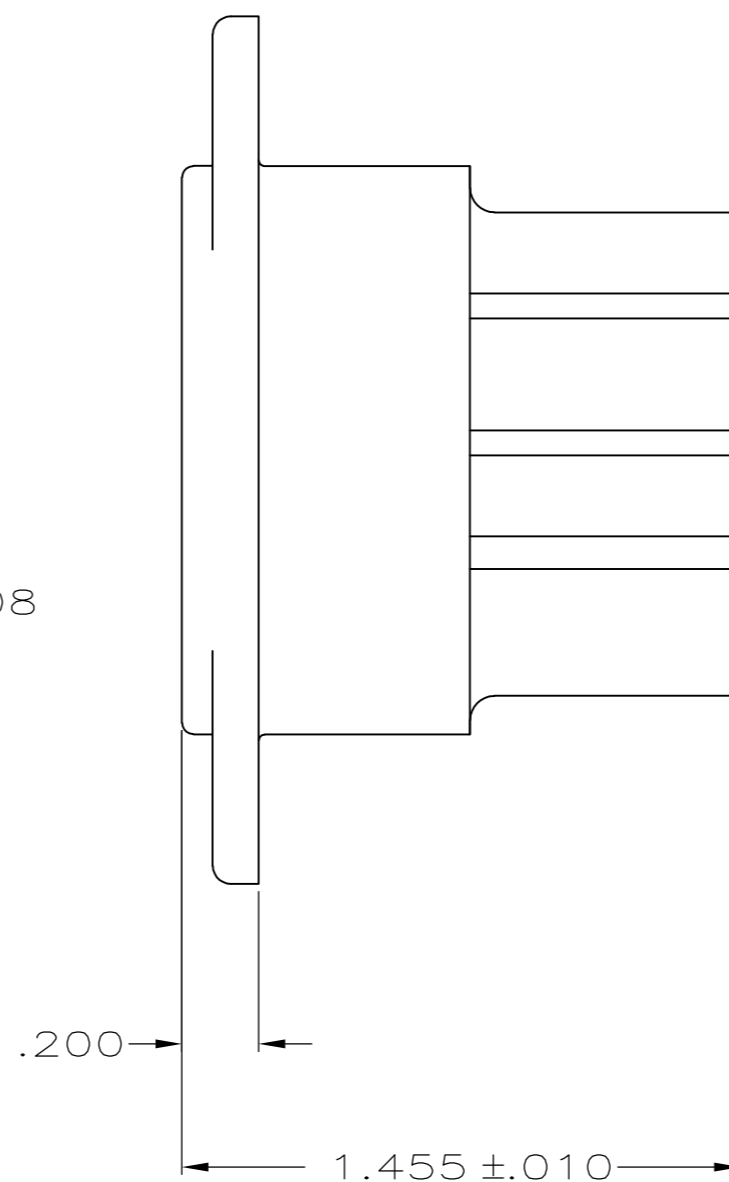
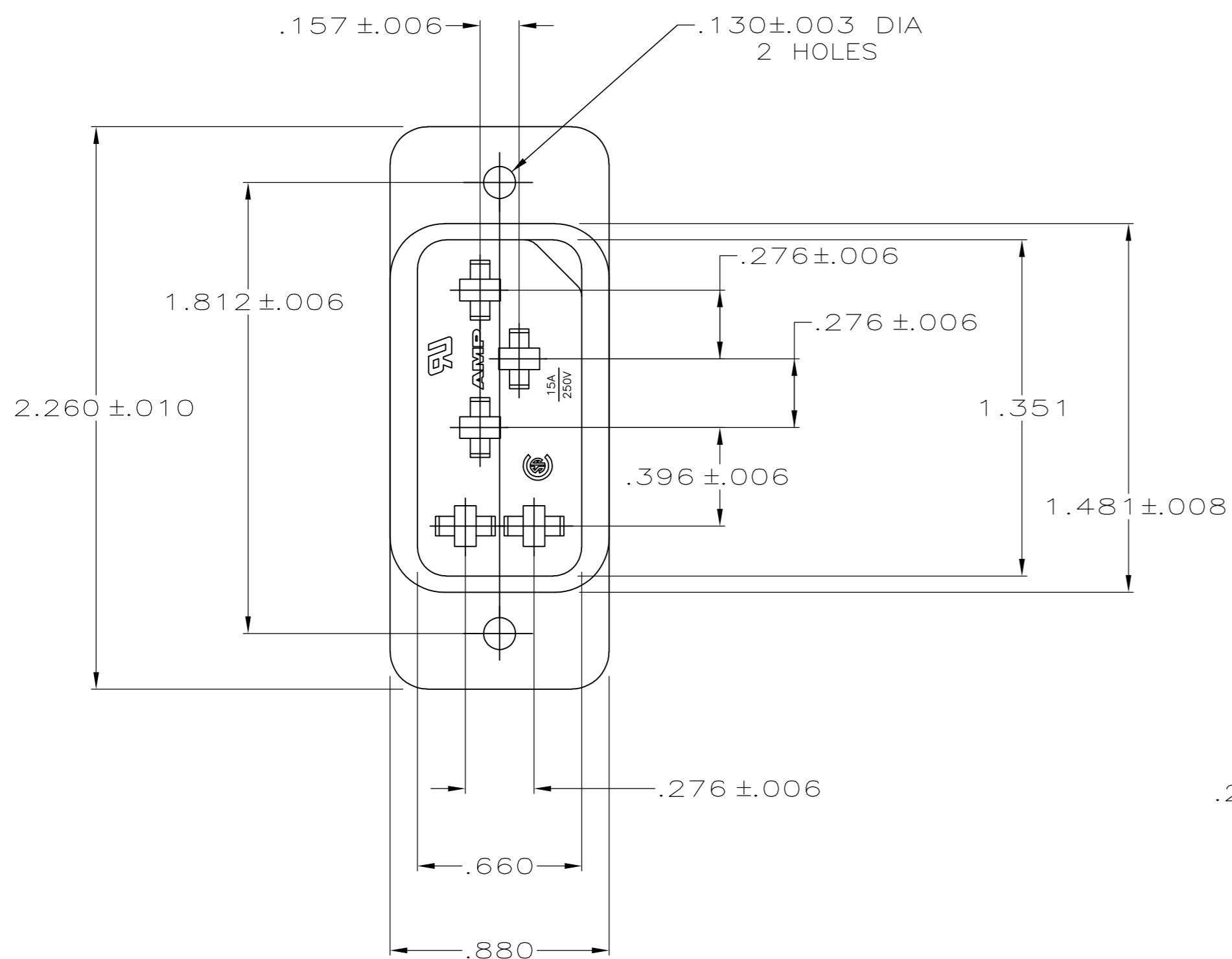


THIS DRAWING IS UNPUBLISHED. RELEASED FOR PUBLICATION  
 © COPYRIGHT - By - ALL RIGHTS RESERVED.

LOC		DIST		REVISIONS					
BD		39		P	LTR	DESCRIPTION	DATE	DWN	APVD
				J1		REVISED PER ECO-11-004917	11MAR11	RK	HMR



RECOMMENDED PANEL OPENING

THIS DRAWING IS A CONTROLLED DOCUMENT.		DWN H MOLL 4-17-91	211395-1	
DIMENSIONS: INCHES		CHK R.STONE 05/09/91	PART NO	
TOLERANCES UNLESS OTHERWISE SPECIFIED:		APVD D.L.ROCKER 05/09/91	TE Connectivity	
0 PLC ± -		PRODUCT SPEC	RECEPTACLE, 5 POSITION, POWER CORD	
1 PLC ± -		APPLICATION SPEC	SIZE A2	CAGE CODE 00779
2 PLC ± -		WEIGHT -	DRAWING NO C=211395	RESTRICTED TO -
3 PLC ± .005		SCALE 2:1 SHEET 1 of 1 REV J1		
4 PLC ± -		CUSTOMER DRAWING		
ANGLES ± -				
FINISH -				
MATERIAL POLYESTER, UL 94V-0 RATED, GLASS FILLED, BLACK				