

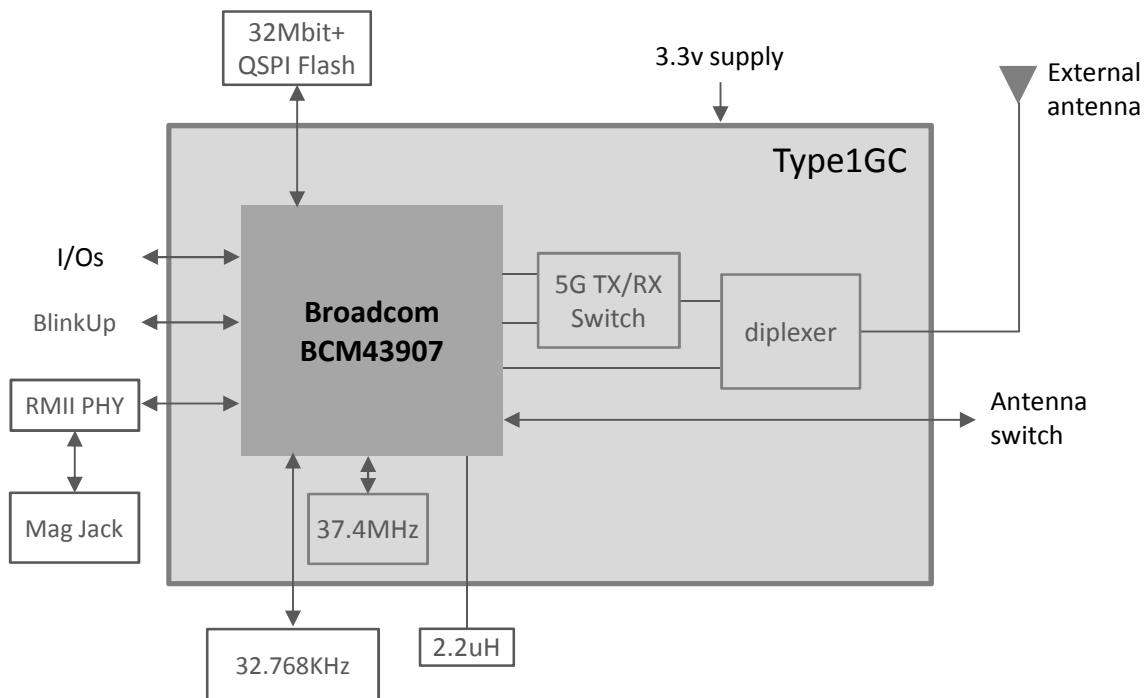
# Highly integrated Internet-of-Things node with dual band WiFi & Ethernet

## Key Features

- 802.11 a/b/g/n WiFi (dual band 2.4GHz & 5GHz)
- 20/40MHz channels
- Integrated diplexer, external ant switch controls
- FCC/IC modular approval
- 10/100Mbps Ethernet via RMI interface
- 320MHz ARM Cortex R4 processor
- 32kB instruction & data caches
- Over 1.2MB RAM for application use
- Secure boot from external QSPI
- On-board RTC (32.768kHz xtal required)
- BlinkUp™ easy setup
- Dedicated interfaces: 1x SPI, 1x I2C, 3x UART
- 28x GPIO, soft configurable to support: 1x SPI, 1x I2C and 6xPWM
- USB 2.0 FS host
- All interfaces fully supported at OS level
- 10.0 x 10.0 x 1.2mm LGA package, 136 pins
- Works in conjunction with imp Cloud platform:
  - Secure, managed internet connection
  - Secure, failsafe OTA OS upgrades
  - Secure, failsafe OTA application updates
  - Cloud-side companion Virtual Machine (VM)
  - More information at [www.electricimp.com](http://www.electricimp.com)
- In mass production

## imp005

Murata model number Type1GC



INNOVATOR IN ELECTRONICS