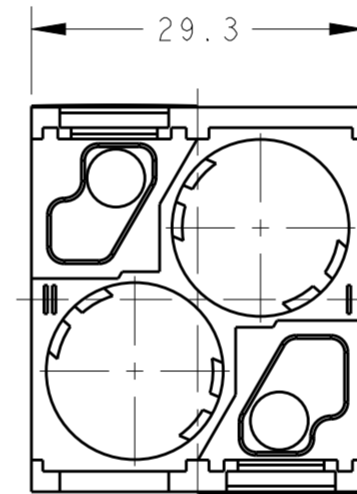
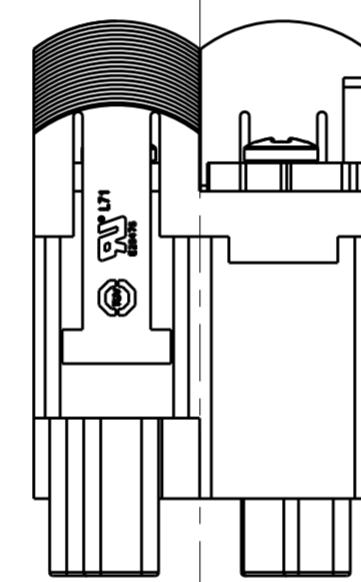
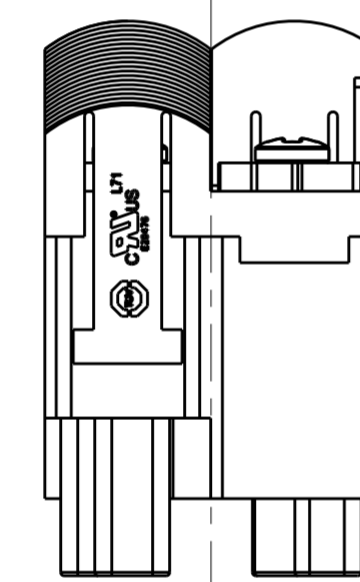
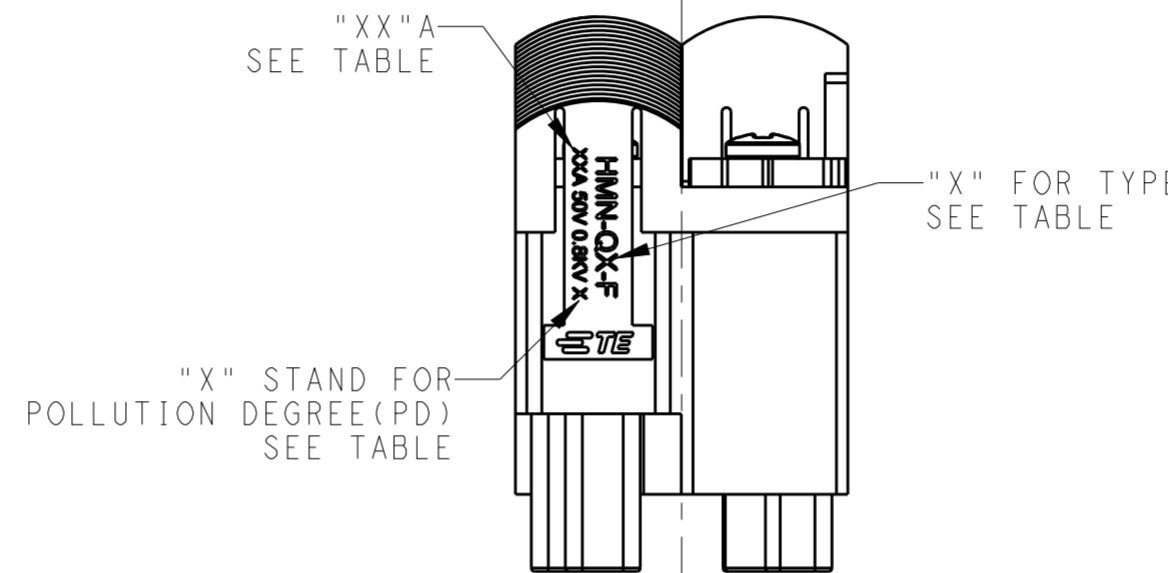
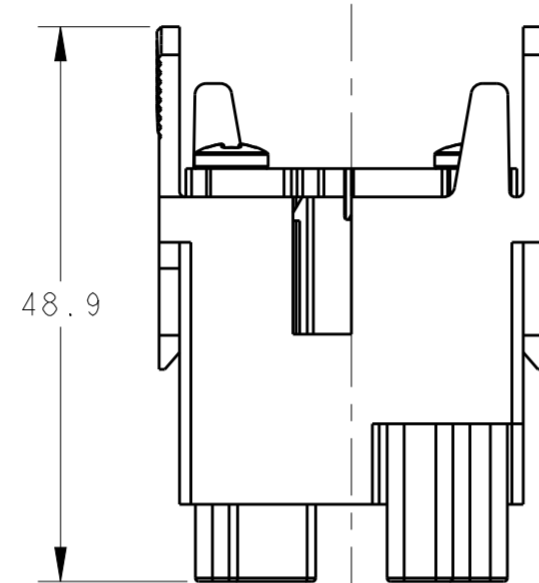
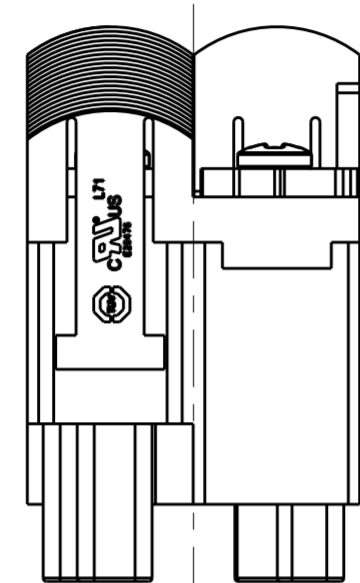
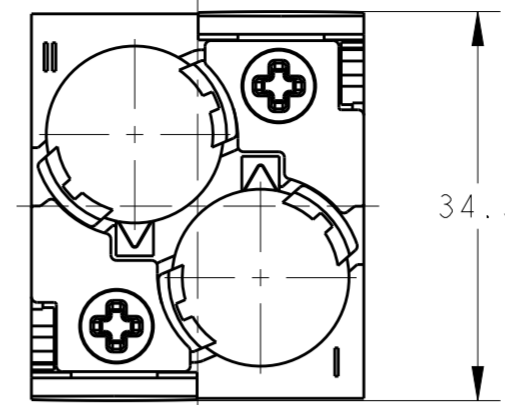
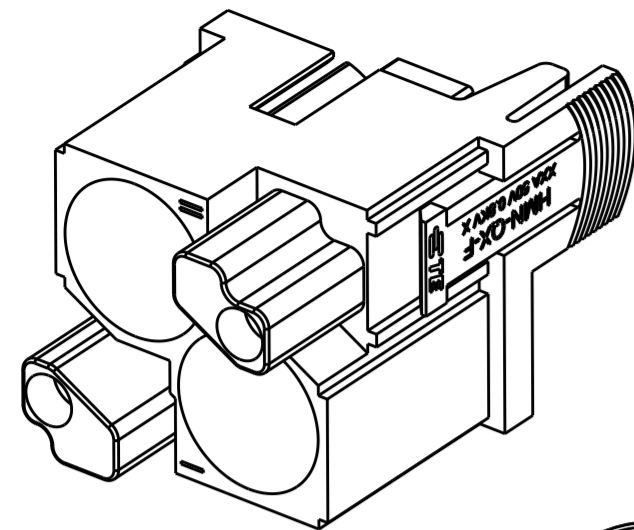


THIS DRAWING IS UNPUBLISHED. RELEASED FOR PUBLICATION 20  
 © COPYRIGHT 20 BY - ALL RIGHTS RESERVED.

REVISIONS				
P	LTR	DESCRIPTION	DATE	APVD
A		INITIAL	22APR2015	DW CW
B		ECR-15-018270	09DEC2015	DW CW
B1		ECR-16-006849	13MAY2016	RL CW

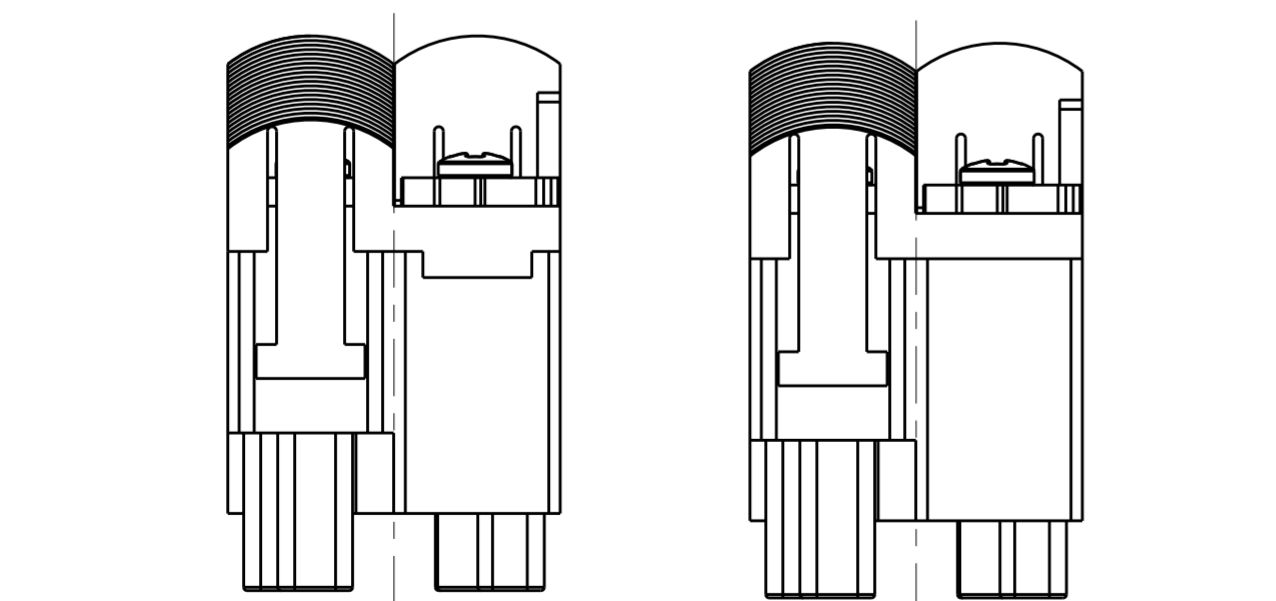


NOTES:  
 1. TECHNICAL CHARACTERISTICS:  
 INSULATION MATERIAL: PC  
 RATED VOLTAGE: 50V  
 RATED CURRENT: SEE TABLE  
 INSULATION RESISTANCE:  $\geq 400M\Omega$   
 RATED IMPULSE VOLTAGE: 0.8KV  
 POLLUTION DEGREE: SEE TABLE  
 FLAMMABILITY: UL94V-0  
 MATING CYCLES: 500 CYCLES  
 OPERATION TEMPERATURE:  $-40\sim+125^{\circ}C$   
 WIRE RANGE: SEE TABLE  
 CONTACT TYPE: CRIMP CONTACT  
 2. CONTACT NEED TO BE ORDERED SEPARATELY.

注释:  
 1. 技术参数:  
 绝缘材料: PC  
 额定电压: 50V  
 额定电流: 见表格  
 绝缘电阻:  $\geq 400M\Omega$   
 额定脉冲电压: 0.8KV  
 污染等级: 见表格  
 阻燃等级: UL94V-0  
 插拔次数: 500次  
 工作温度:  $-40\sim+125^{\circ}C$   
 接线范围: 见表格  
 接线类型: 冷压接  
 2. 端子需要单独订购.

T2111027201-000 & T2111027201-001 SHOWN WITH TUV AND CUL MARK  
 T2111027201-000 & T2111027201-001 带TUV和CUL激光打标

T2111027201-002 SHOWN WITH TUV AND UL MARK  
 T2111027201-002 带TUV和UL激光打标



T2111027201-003 SHOWN WITHOUT LOGO, TUV, UL OR CUL MARK  
 T2111027201-003 不带LOGO, TUV, UL和CUL激光打标

T2111027201-003	HMN-Q-F WITHOUT LOGO HMN-Q 模块母插 不带LOGO	-	-	-	WITHOUT LOGO, TUV, UL OR CUL MARK 不带LOGO, TUV, UL和CUL激光打标
T2111027201-002	HMN-Q3-F HMN-Q3模块母插5A	5A	2	0.08~0.52 mm <sup>2</sup> (28~20 AWG)	WITH LOGO, TUV AND UL MARK 带LOGO, TUV和UL激光打标
T2111027201-001	HMN-Q2-F HMN-Q2模块母插10A	10A	3	0.14~2.5 mm <sup>2</sup> (26~14 AWG)	WITH LOGO, TUV AND CUL MARK 带LOGO, TUV和CUL激光打标
T2111027201-000	HMN-Q1-F HMN-Q1模块母插16A	16A	3	0.14~4 mm <sup>2</sup> (26~12 AWG)	WITH LOGO, TUV AND CUL MARK 带LOGO, TUV和CUL激光打标
PART NUMBER 料号	"X" TYPE "X" 产品型号	"XX"A "XX"电流	"X" PD "X"污染等级	WIRE GAUGE 线规	REMARK 备注

THIS DRAWING IS A CONTROLLED DOCUMENT.

DIMENSIONS: mm	TOLERANCES UNLESS OTHERWISE SPECIFIED: 0 PLC ± 1 PLC ± 2 PLC ± 3 PLC ± 4 PLC ± ANGLES ± FINISH	DWN David Wang 22APR2015 CHK Chris Wang 22APR2015 APVD Xiang Xu 22APR2015	NAME HMN-Q1/Q2/Q3/Q-F
MATERIAL		PRODUCT SPEC 108-137067 APPLICATION SPEC 114-137067	SIZE A2 CAGE CODE 00779 DRAWING NO. C-T2111027201000 RESTRICTED TO
		WEIGHT	SCALE 1:1 SHEET 1 OF 1 REV B1

CUSTOMER DRAWING