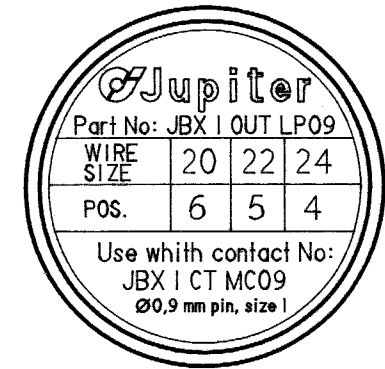
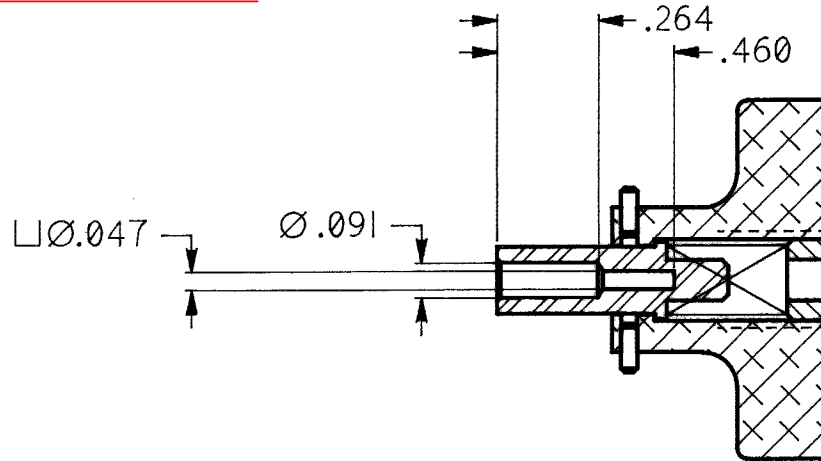
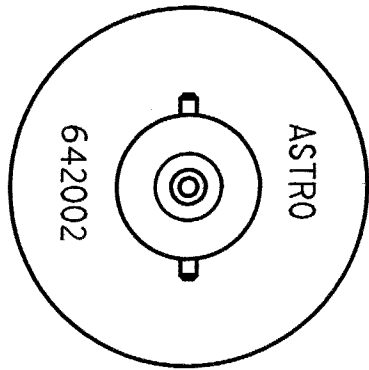


FILE COPY NOV 18 1983

**UNCONTROLLED DOCUMENT  
WILL NOT BE UPDATED**

**FILE# 642002C  
CAD# M642002C**



5. NOTIFY BURNDY/FCI AFTER ANY CHANGES TO DRAWING.
4. REF: JUPITER PART# JBX 1 OUT LP09.
- 3.
2. THIS IS A CUSTOMER REFERENCE DRAWING, TO ORDER USE PART # 642002.
1. THIS IS A CAD DRAWING DO NOT CHANGE MANUALLY

NOTES:

2	DESCRIPTION	BY	DATE	APR.	<p>THESE DRAWINGS, SPECIFICATIONS OR OTHER DATA ARE AND REMAIN THE PROPERTY OF ASTRO TOOL CORP. AND MUST BE RETURNED UPON REQUEST. THEY CONTAIN INFORMATION OWNED AND/OR DEVELOPED BY ASTRO AT ITS OWN PRIVATE EXPENSE AND MAY NOT BE USED, DUPLICATED OR DISCLOSED TO OTHERS, IN WHOLE OR IN PART FOR DESIGN, MANUFACTURE, OR PROCUREMENT WITHOUT THE WRITTEN PERMISSION OF ASTRO TOOL CORP. EACH AND EVERY TIME.</p>	SCALE: 2:1	UNLESS OTHERWISE SPECIFIED: DECIMALS: .XXX ± .005 .XX ± .010 .X ± .030 ANGLES: ± 1°	<p><b>ASTRO TOOL CORP.</b> 21615 S.W. TUALATIN VALLEY HWY., BEAVERTON OR 97006</p>	CAGE 58164
						DWN BY: GM			DATE: 4-7-93
REV.						APPROVED:	PART NO.   A   642002C		