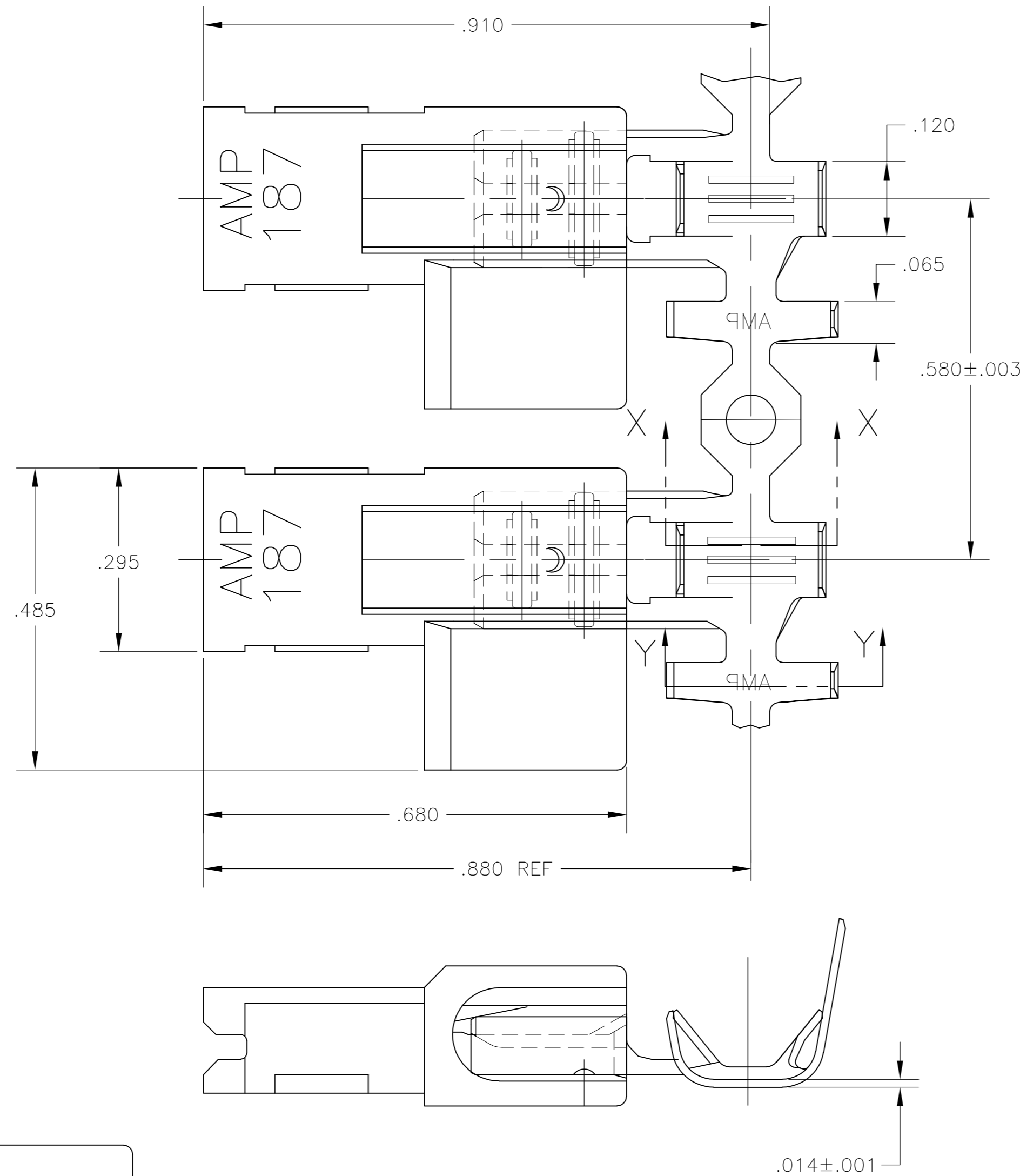
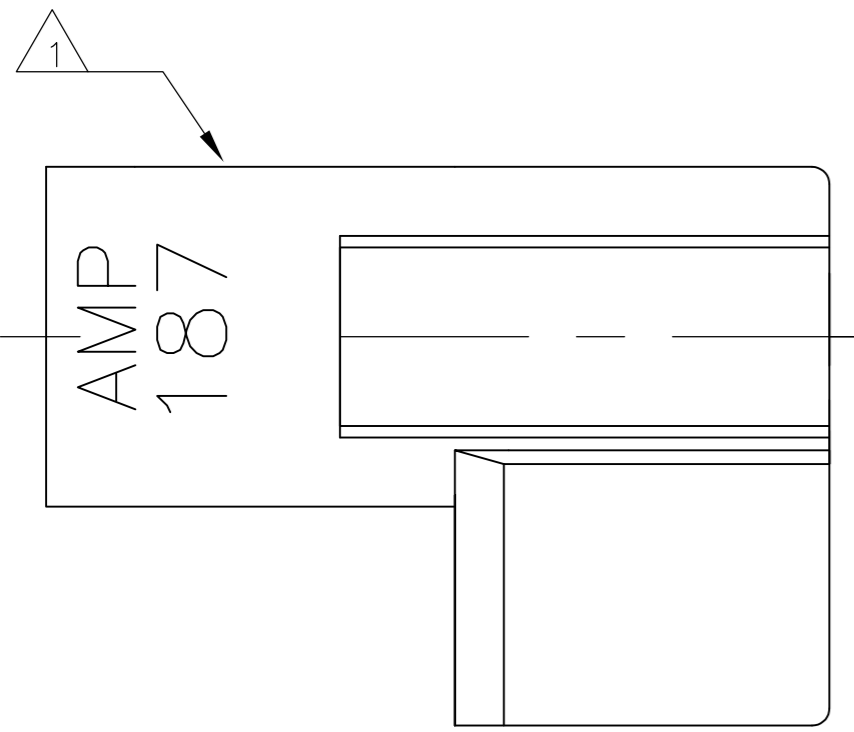
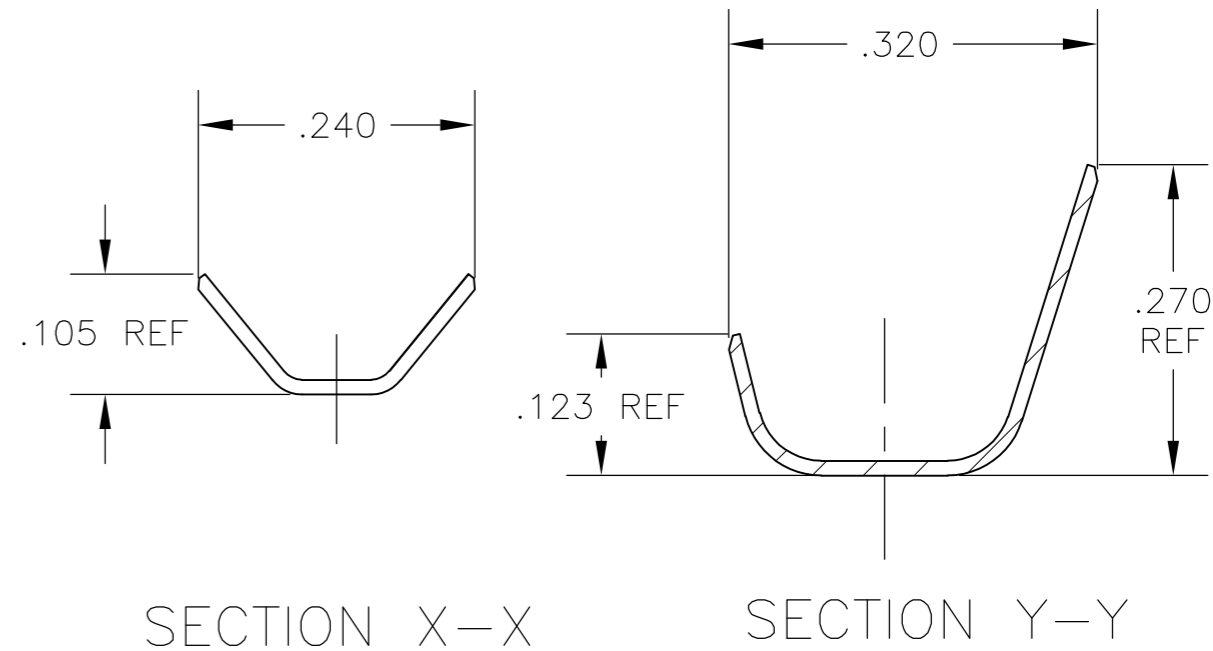


THIS DRAWING IS UNPUBLISHED. RELEASED FOR PUBLICATION  
 © COPYRIGHT - By - ALL RIGHTS RESERVED.

LOC	DIST	REVISIONS					
AF	50	P	LTR	DESCRIPTION	DATE	DWN	APVD
		J		REVISED PER ECR-12-013062	18DEC12	KH	KR



- 1 ALTERNATIVE HOUSING FORM
- 2 WIRE SIZES & COMBINATIONS: #18, #16, #14, (2)#20, (2)#18
- 3 INSULATION RANGE IS .110-.150 DIA OR TWO AT .110 MAX DIA.
- 4 MATERIAL;  
 TERMINAL: BRASS, FINISH SEE TABLE  
 HOUSING: 6/6 NYLON, NATURAL COLOR ( WHITE )
- 5 FITS .187 X .032 THK FASTON TAB



THIS DRAWING IS A CONTROLLED DOCUMENT.		DWN	JR RUTH	30JUL03
DIMENSIONS: INCHES		CHK	J HUMMEL	24JUL03
TOLERANCES UNLESS OTHERWISE SPECIFIED:		APVD	KRISTY YI	24JUL03
0 PLC	± -	PRODUCT SPEC	108-2215	
1 PLC	± -	APPLICATION SPEC	114-2124	
2 PLC	± -	WEIGHT	-	
3 PLC	± .010	SIZE	A2	00779
4 PLC	± -	CAGE CODE	C=521601	
ANGLES	± -	DRAWING NO	521601-2	
FINISH	SEE NOTES	RESTRICTED TO	-	
MATERIAL: SEE NOTES		CUSTOMER DRAWING		
SCALE		6:1		
SHEET		1 of 1		
REV		J		

.000040 MIN TIN PLATE	521601-2
NO PLATING	521601-1
TERMINAL: FINISH	PART NO.

**TE** TE Connectivity  
 ASSEMBLY, RECPT, FLAG, ULTRA-POD, .187 SERIES  
 18-14 AWG, VO HOUSING