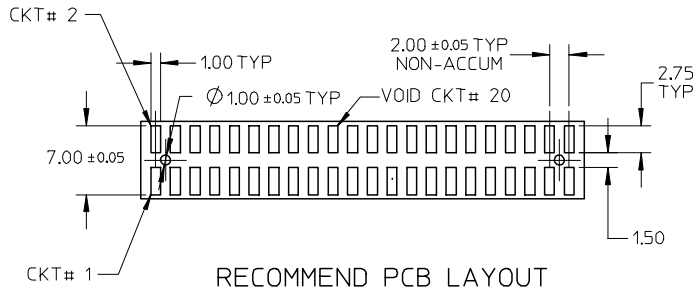
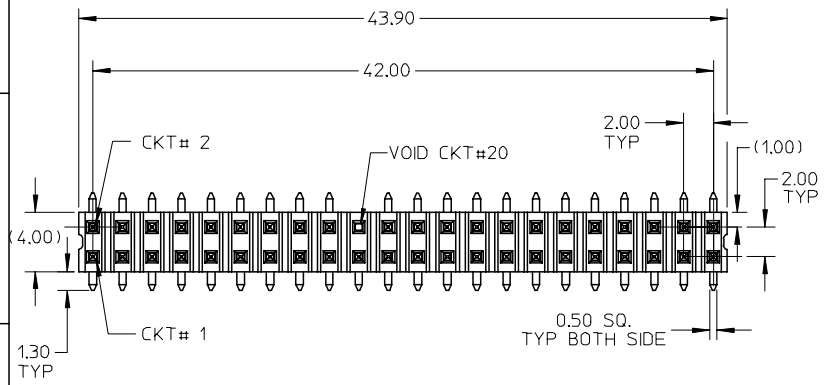


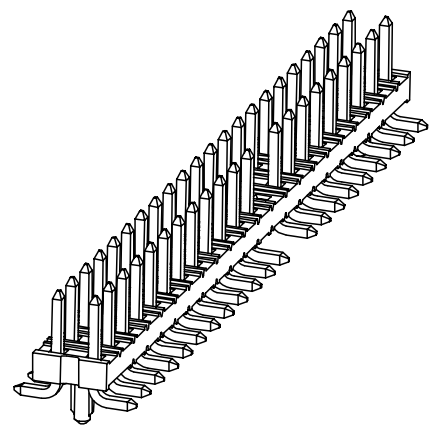
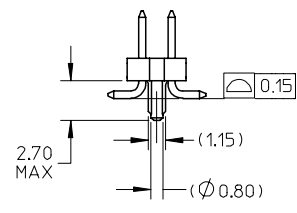
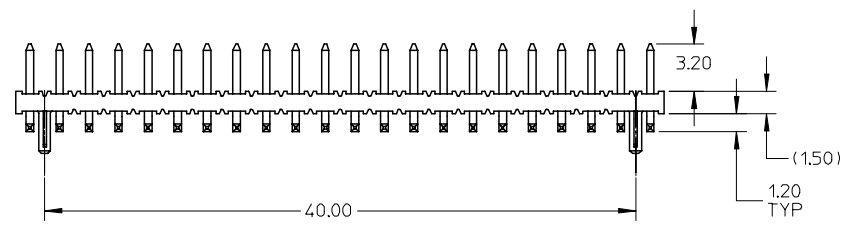
PACKAGING OPTION PART NO.			CKT SIZE	VOID POSITION	PLATING TYPE
TAPE & REEL WITH CAP	TUBE WITH CAP	TUBE WITHOUT CAP			
87759-6005	87759-6006	87759-6007	44	20	1



RECOMMEND PCB LAYOUT

NOTES:

- MATERIAL:
HOUSING: GLASS FILLED. NYLON 46, UL94V-0,
COLOR: BLACK
TERMINAL: COPPER ALLOY 0.50mm SQ
 - PLATING TYPE:
(1) 10µin MIN. GOLD PLATE ON CONTACT,
100µin MIN. TIN ON SOLDER TAIL,
BOTH OVER 50µin MIN. NICKEL OVERALL.
 - PIN PUSHOUT FORCE: 1KG MIN IN EITHER DIRECTION
 - FOR PACKAGING OPTION PLEASE REFER TO THE TABLE.
- △ CAP TO BE PLACED AS NEAR TO THE CENTRE OF PART AS POSSIBLE AND FULLY FLUSH TO THE WAFER SURFACE.



REVISED TUBE SPEC	DESCRIPTION
EC NO: S2007-0829	DRWN:SKLIM01
2007/04/10	2007/04/12
CHKD:CLAM	APPR:KWLEE
2007/04/17	2007/04/17

QUALITY SYMBOLS	DESCRIPTION
▽=0	
▽C=0	

GENERAL TOLERANCES (UNLESS SPECIFIED)	mm	INCH
4 PLACES	± ---	± ---
3 PLACES	± ---	± ---
2 PLACES	± 0.2	± ---
1 PLACE	± ---	± ---
ANGULAR ± 3 °		
DRAFT WHERE APPLICABLE MUST REMAIN WITHIN DIMENSIONS		

DIMENSION STYLE	SCALE	DESIGN UNITS	THIRD ANGLE PROJECTION
MM ONLY	NTS	METRIC	
DRAWN BY	DATE	TITLE	
KSEE	2005/01/04	CUSTOM HEADER	
CHECKED BY	DATE	MGRID, 2.00MM PITCH, HDR	
PTL IM	2005/01/12	DUAL ROW S/WAFER, SMT	
APPROVED BY	DATE	MOLEX INCORPORATED	
SCLOW	2005/01/12		
MATERIAL NO.	DOCUMENT NO.	SHEET NO.	
SEE TABLE	SD-87759-231	1 OF 3	

SIZE	THIS DRAWING CONTAINS INFORMATION THAT IS PROPRIETARY TO MOLEX INCORPORATED AND SHOULD NOT BE USED WITHOUT WRITTEN PERMISSION	
A3		

10 9 8 7 6 5 4 3 2 1

F

E

D

C

B

A

F

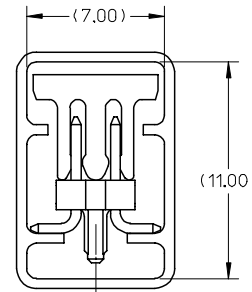
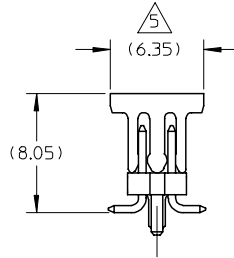
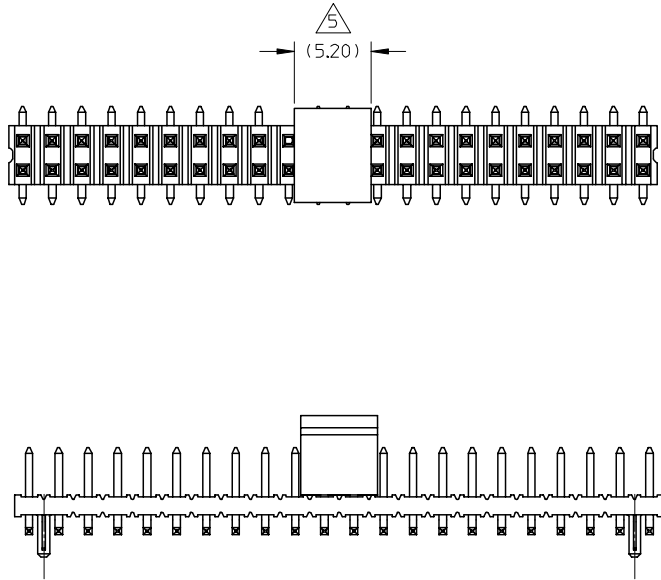
E

D

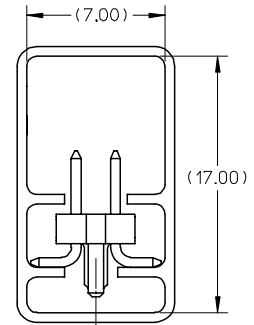
C

B

A



PART WITH CAP
IN TUBE



PART WITHOUT CAP
IN TUBE

REVISED TUBE SPEC	DESCRIPTION
EC NO: S2007-0829	2007/04/10
DRWN:SKLIM01	2007/04/12
CHKD:CLAM	2007/04/17
APPR:KWLEE	
REV	REV

QUALITY SYMBOLS	DESCRIPTION
▽=0	
∇=0	

GENERAL TOLERANCES (UNLESS SPECIFIED)	
	mm
	INCH
4 PLACES	± ---
3 PLACES	± ---
2 PLACES	± 0.2
1 PLACE	± ---
ANGULAR ± 3 °	
DRAFT WHERE APPLICABLE MUST REMAIN WITHIN DIMENSIONS	

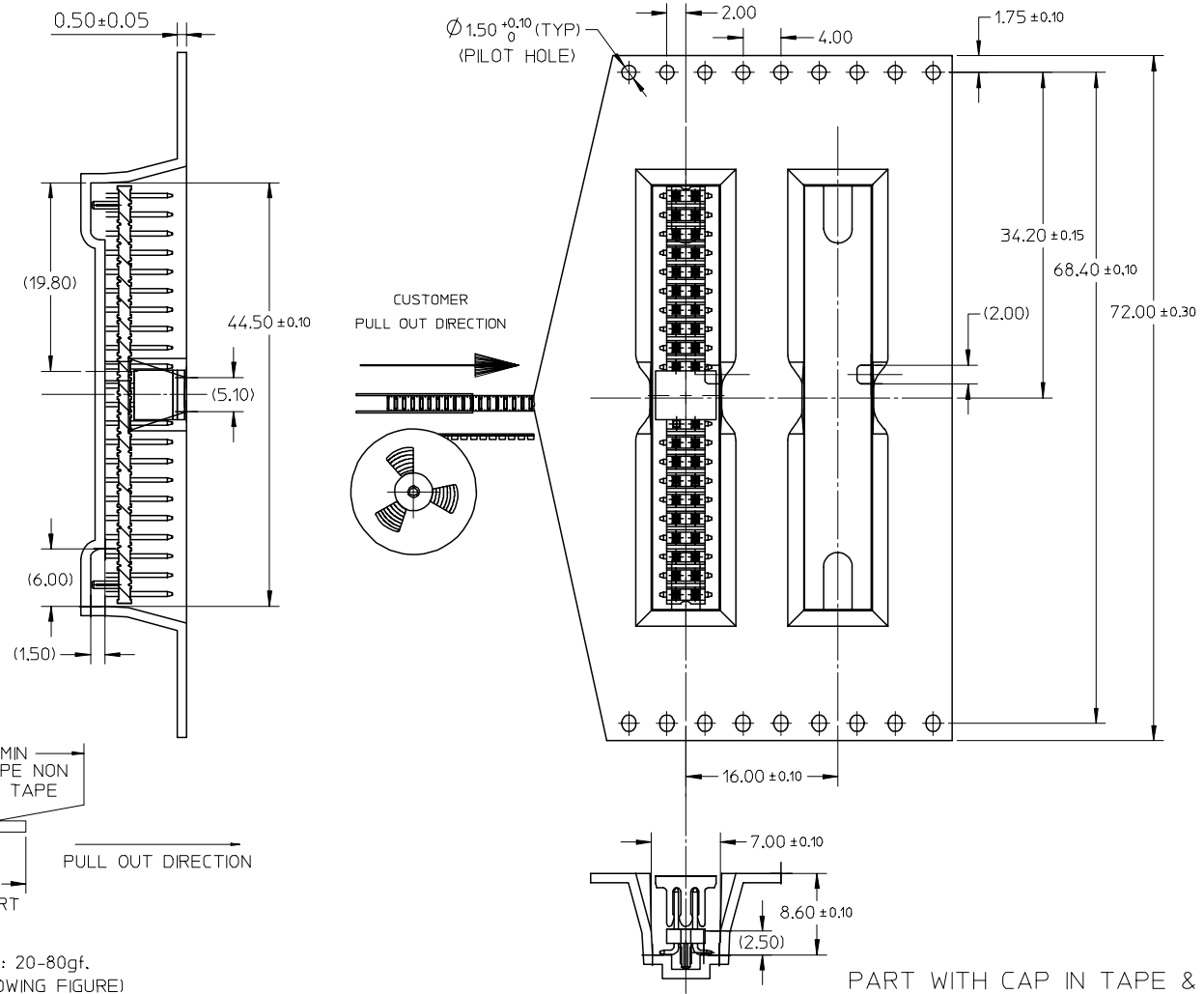
DIMENSION STYLE	
MM ONLY	
DRAWN BY	DATE
KSEE	2005/01/04
CHECKED BY	DATE
PTL IM	2005/01/12
APPROVED BY	DATE
SCLOW	2005/01/12
MATERIAL NO.	
SEE TABLE	
SIZE	
A3	

SCALE	DESIGN UNITS	THIRD ANGLE PROJECTION
NTS	METRIC	
TITLE		
CUSTOM HEADER		
MGRID, 2.00MM PITCH, HDR		
DUAL ROW S/WAFER, SMT		
MOLEX INCORPORATED		
DOCUMENT NO.		SHEET NO.
SD-87759-231		2 OF 3
THIS DRAWING CONTAINS INFORMATION THAT IS PROPRIETARY TO MOLEX INCORPORATED AND SHOULD NOT BE USED WITHOUT WRITTEN PERMISSION		

9 8 7 6 5 4 3 2 1

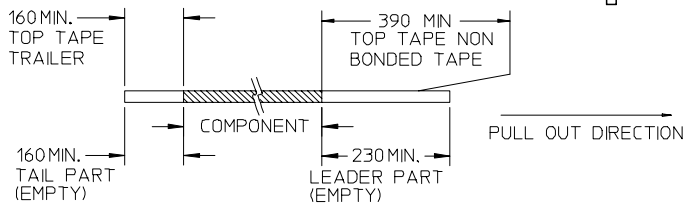
10 9 8 7 6 5 4 3 2 1

F
E
D
C
B
A

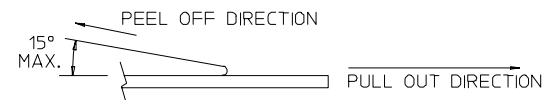


NOTES:

1. LEADER AND TRAILER TAPE



2. PEELING OFF FORCE OF THE TOP TAPE: 20-80gf.
(PEELING DIRECTION AS SHOWN IN FOLLOWING FIGURE)



- 3. TAPE AND REEL SPECIFICATION IS AS PER EIA-481.
- 4. TAPE AND REEL QUANTITY : 450 PCS/ REEL.
- 5. THE TAPE IS TREATED FOR ANTI-STATIC.

PART WITH CAP IN TAPE & REEL

REVISED TUBE SPEC EC NO: S2007-0829 DRWN:SKLIM01 CHKD:CWLM APPR:KWLEE	2007/04/10 2007/04/12 2007/04/17	QUALITY SYMBOLS ▽=0 ▽=0	GENERAL TOLERANCES (UNLESS SPECIFIED)		DIMENSION STYLE MM ONLY		SCALE NTS	DESIGN UNITS METRIC	THIRD ANGLE PROJECTION			
			mm	INCH	DRAWN BY KSEE		DATE 2005/01/04	TITLE CUSTOM HEADER MGRID, 2.00MM PITCH, HDR DUAL ROW S/WAFER, SMT				
			4 PLACES ± ---	± ---	CHECKED BY PTL IM		DATE 2005/01/12					
			3 PLACES ± ---	± ---	APPROVED BY SCLOW		DATE 2005/01/12	MOLEX INCORPORATED		SHEET NO. 3 OF 3		
		2 PLACES ± 0.2	± ---	MATERIAL NO.		DOCUMENT NO.	SD-87759-231					
		1 PLACE ± ---	± ---	DRAFT WHERE APPLICABLE MUST REMAIN WITHIN DIMENSIONS		SEE TABLE						
		ANGULAR ± 3 °		SIZE A3		THIS DRAWING CONTAINS INFORMATION THAT IS PROPRIETARY TO MOLEX INCORPORATED AND SHOULD NOT BE USED WITHOUT WRITTEN PERMISSION						

9 8 7 6 5 4 3 2 1