

10mm X 5000mm RGB LIGHT RIBBON

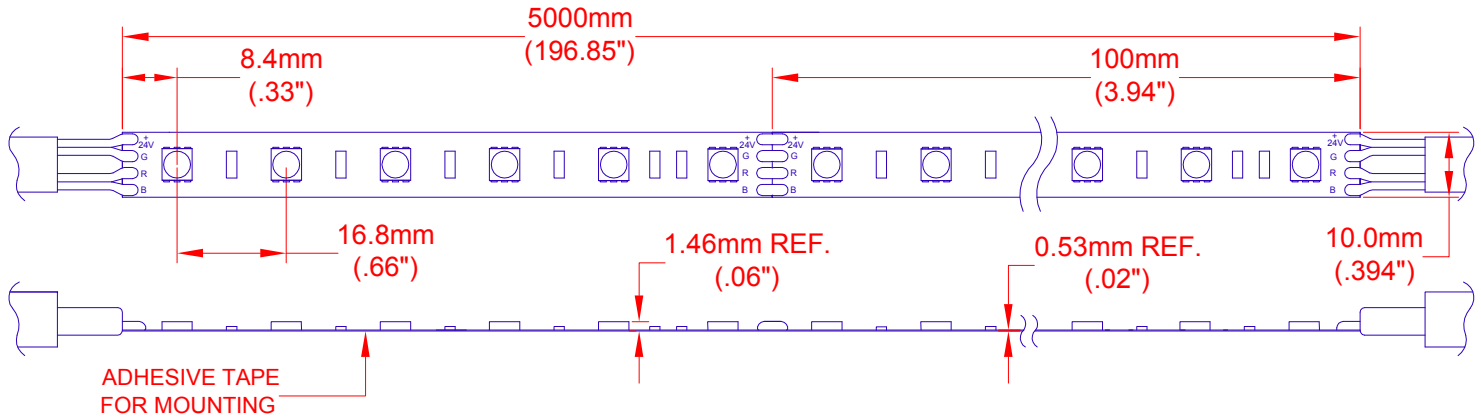
FEATURES

VOLTAGE: 24V DC
 CURRENT: 3.0A
 LED VIEWING ANGLE (2 θ 1/2): 100°

STANDARD PACKAGING:
 5 METER REEL (300 LED'S)

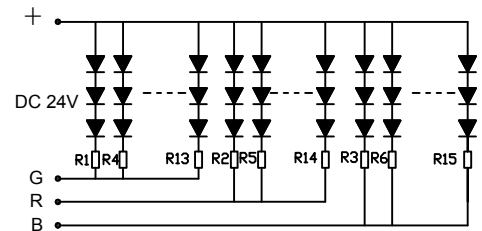
OPTIONAL PACKAGING:
 INDIVIDUAL 500mm SECTIONS (30 LED'S)
 ORDER AS ZFS-105000-24RGB/SEC

Note: Individual Sections ARE NOT supplied with insulated wire connections.



Electrical/Optical Characteristics at TA = 25°C

Parameter	Symbol	Color	Condition	Min	Typ	Max	Unit
Forward Voltage DC	VF	RGB	IF = 3.0A	--	24	--	V
Dominant Wavelength	λD	R	IF = 1.0A	618	630	--	nm
		G	IF = 1.0A	515	524	--	
		B	IF = 1.0A	455	470	--	
Luminous Flux	φV	R	IF = 1.0A	--	428	--	lm
		G	IF = 1.0A	--	1508	--	
		B	IF = 1.0A	--	143	--	
Recommend Forward Current	IF(rec)	--	--	--	2.4	--	A

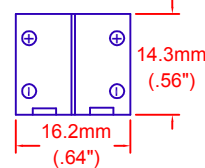


Absolute Maximum Rating at TA = 25°C

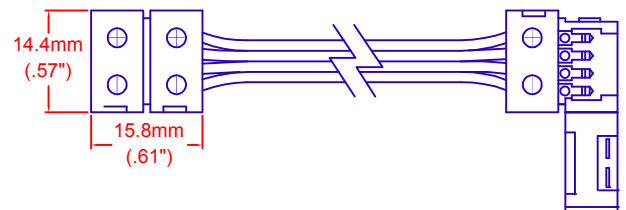
Parameter	Symbol	Absolute Maximum Rating	Unit
Forward Current	IF	3	A
Power Dissipation	PD	72	W
Electrostatic Discharge	ESD	400	V
Operating Temperature	Topr	-20~+50	°C
Storage Temperature	Tstg	-30~+80	°C

Mating Components

ZFS-CH0-RGB10J Flex to Flex No Solder Connector



ZCH-170-RGB-J Flex Ribbon Joiner Harness



ATTENTION
 OBSERVE PRECAUTION
 FOR HANDLING ELECTROSTATIC
 DISCHARGE SENSITIVE DEVICES

JKL PART NO.: ZFS-105000-24RGB

METRIC THIRD ANGLE PROJECTION		DIMENSIONS ARE IN mm (INCHES) TOLERANCE UNLESS OTHERWISE SPECIFIED 1 PL +/- REF. 2 PL +/- REF. ANGLE +/-		JKL COMPONENTS CORPORATION TITLE 24 V RGB LED FLEX STRIP			
DRAWN BY L. WENGSTROM	APP'VD BY L.R.	DATE 3/29/16	SIZE A	FSCM NO. 55335	DRAWING NO. ZFS-105000-24RGB		
- CAD DRAWING - MANUAL REVISIONS NOT PERMITTED			SCALE NONE	RELEASED DATE 3/15/16	REVISION DATE 3/29/16	REV. NO. A SHEET 1 OF 1	

REV. NO.	DESCRIPTION/ECO	APP'VD DATE
A	CHANGE MATING COMPONENT RELEASED	3/29/16 3/15/16