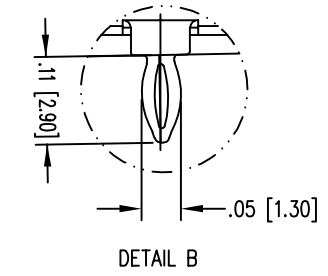
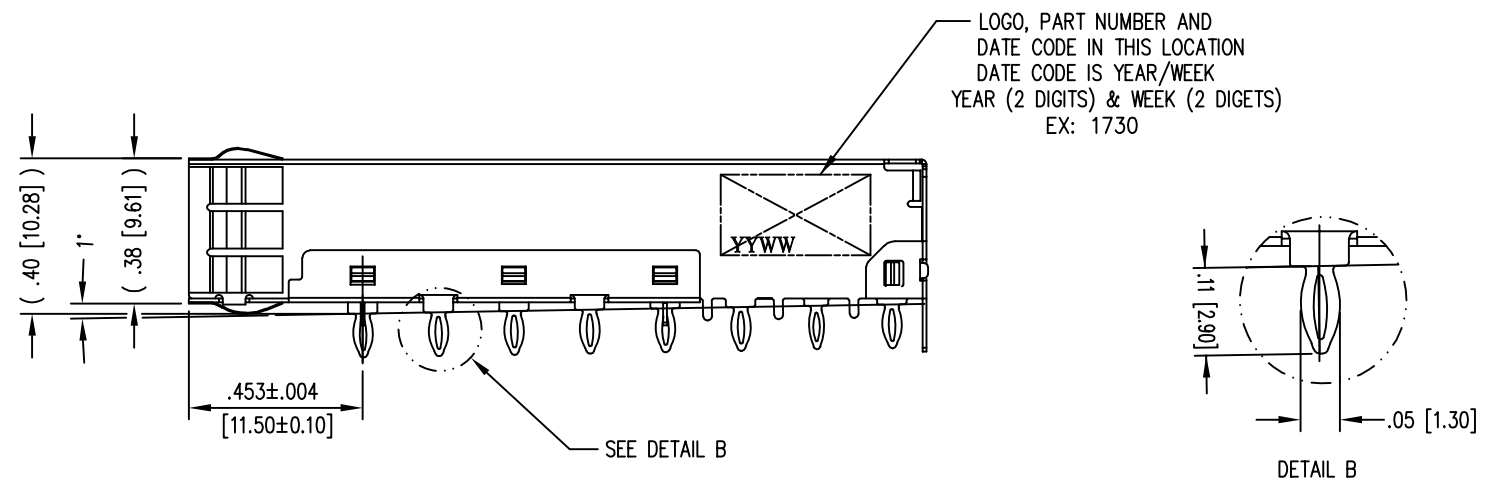
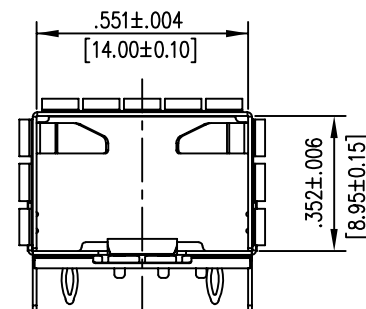
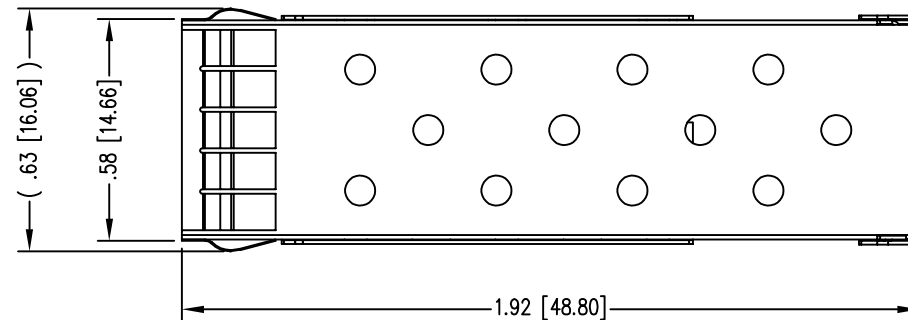
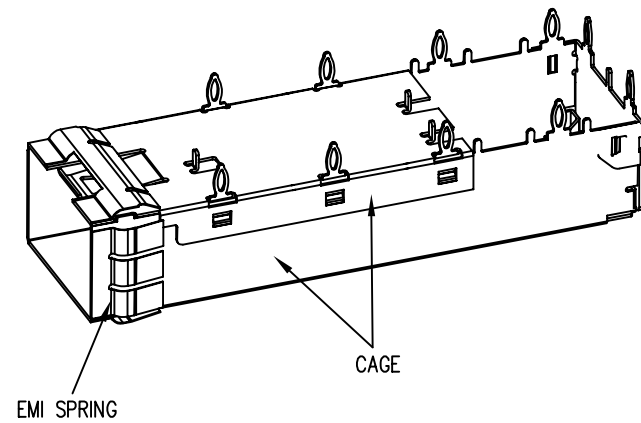


| DATE    | REV | ECN   | APP'D. BY |
|---------|-----|-------|-----------|
| 8-11-17 | A2  | 11061 | TRM       |
| 8-16-17 | A3  | 11066 | TRM       |
|         |     |       |           |
|         |     |       |           |

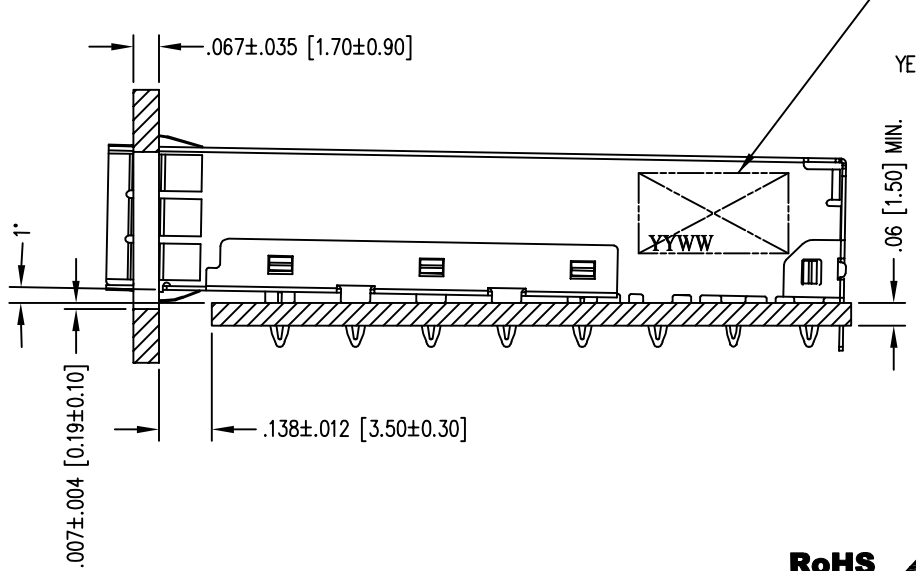
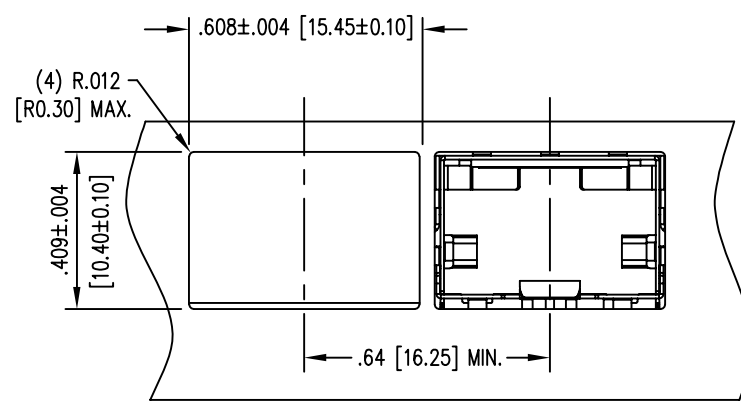
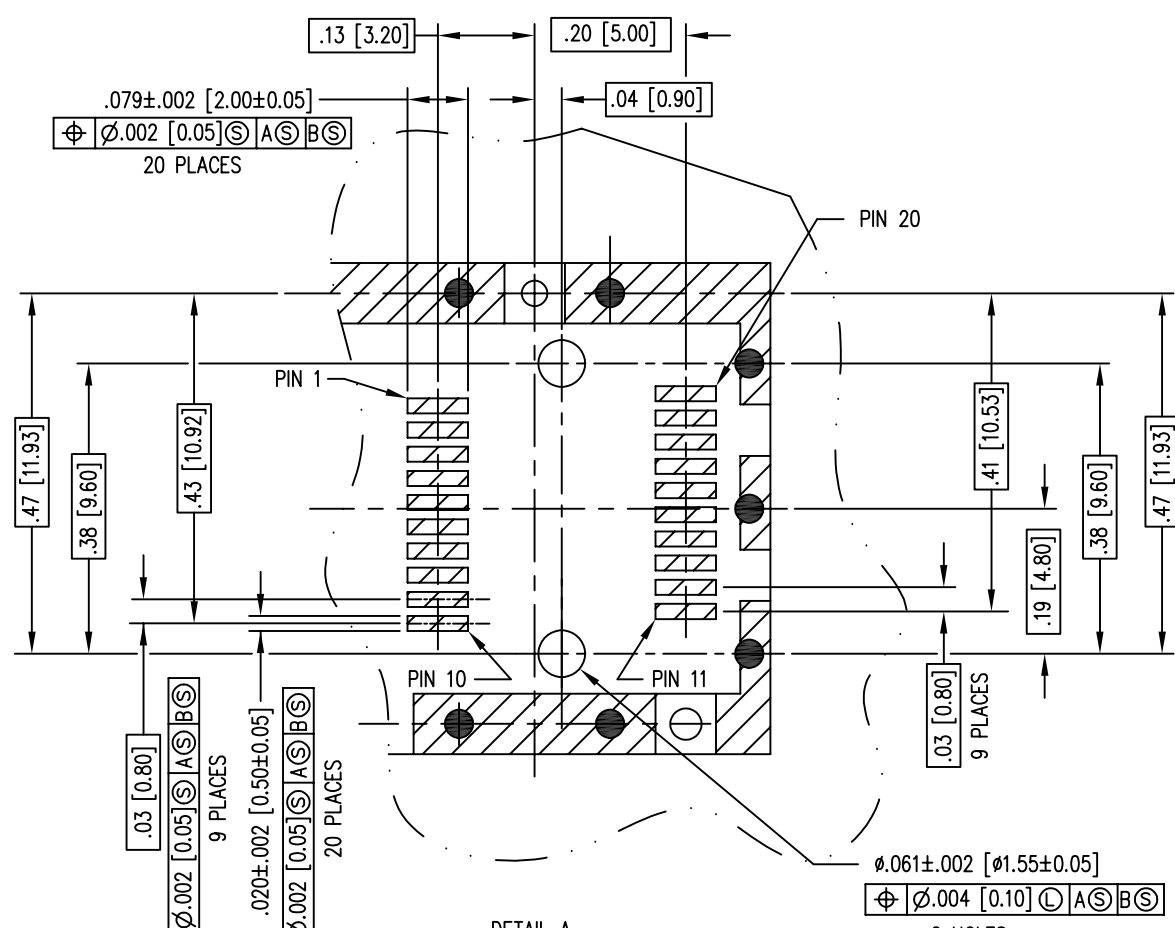
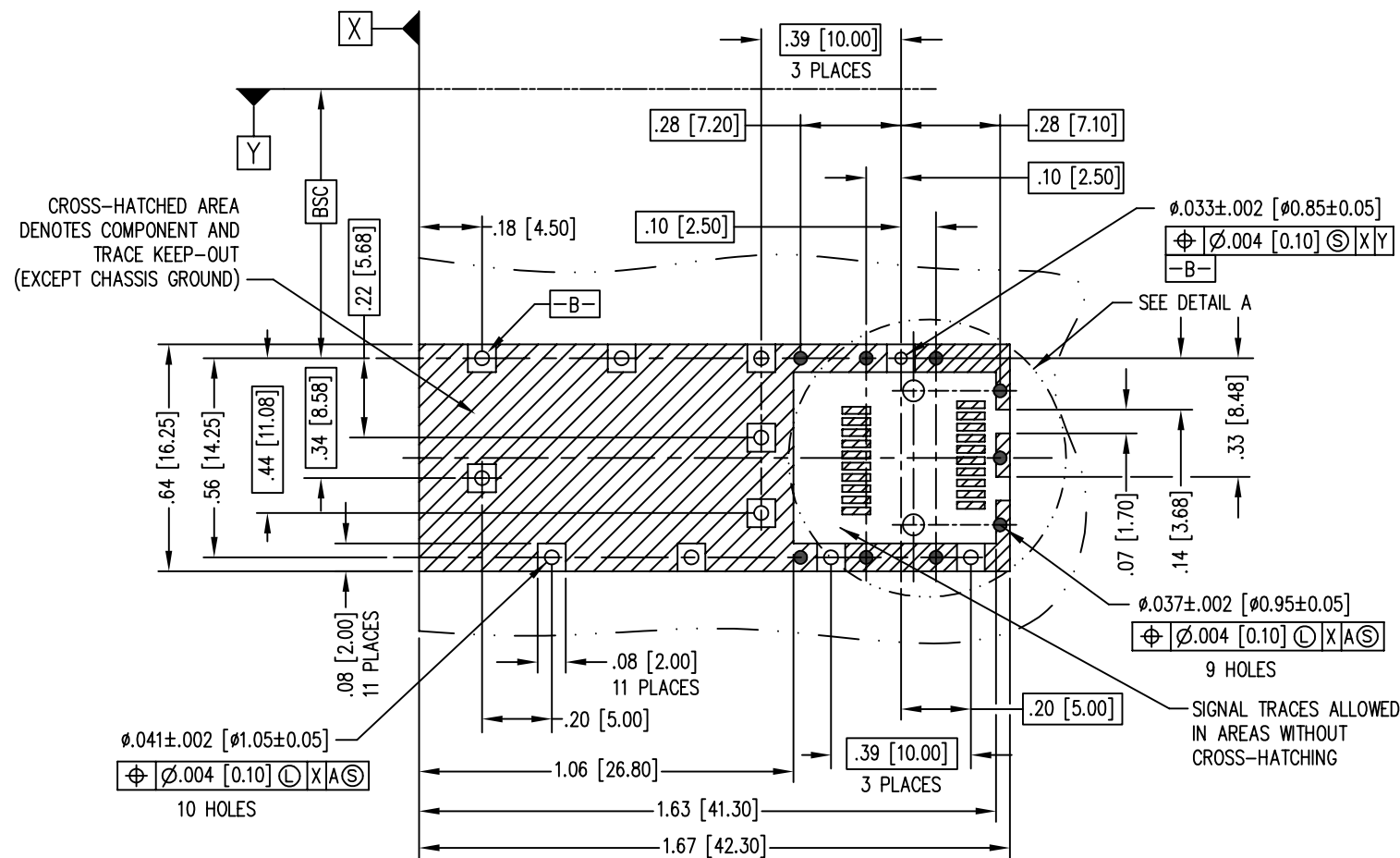


- NOTES:
- MATERIALS:  
CAGE: COPPER ALLOY  
EMI SPRINGS: COPPER ALLOY
  - PLATING:  
CAGE: NICKEL  
EMI SPRINGS: NICKEL
  - TEMPERATURE:  
OPERATIONAL: -40°C~+85°C  
STORAGE: -55°C~+105°C
  - FOR PRODUCT SPECIFICATIONS SEE PR043-01.
  - MATES WITH SFP MSA COMPLIANT TRANSCEIVERS.

SS-79100-001  
PART NUMBER



|  |   |   |   |
|--|---|---|---|
| <p>THIRD ANGLE PROJECTION</p> <p>DRAWING IS SUBJECT TO CHANGE WITHOUT NOTICE</p> <p>UNLESS OTHERWISE SPECIFIED DIMENSIONS INCHES [METRIC] TOLERANCES ARE:</p> <p>ANGLES ± 2°</p> <p>1 PLC. DEC. ±.010" [±0.25]</p> <p>2 PLC. DEC. ±.008" [±0.20]</p> <p>3 PLC. DEC. ±.006" [±0.15]</p> <p>DO NOT SCALE DRAWING</p> <p>SHEET NO. 1 OF 2</p> | <p>1118 Susquehanna Trail South<br/>Glen Rock, PA 17327-9199<br/>(717) 235-7512<br/><a href="http://www.stewartconnector.com">http://www.stewartconnector.com</a></p> | <p>TITLE: SFP+ 1X1 CAGE WITH EMI CLIP, PRESS FIT, PCI</p>   |   |
|  |   | <p>THIS DRAWING AND THE SUBJECT MATTER SHOWN THEREON ARE CONFIDENTIAL AND THE PROPRIETARY PROPERTY OF STEWART CONNECTOR AND SHALL NOT BE REPRODUCED, COPIED, OR USED IN ANY MANNER WITHOUT PRIOR WRITTEN CONSENT OF STEWART CONNECTOR. ONE OR MORE U.S. PATENTS MAY APPLY TO THIS PRODUCT. FOR DETAILS, PLEASE VISIT: <a href="http://BELFUSE.COM/STEWART/STEWART_PATENTS/">HTTP://BELFUSE.COM/STEWART/STEWART_PATENTS/</a></p> | <p>DRN BY: TRM DATE 6-5-17</p> <p>APPD BY: DHG DATE 6-30-17</p> <p>DWG NO. CT790001 REV. A3</p> |



THE SUGGESTED PANEL OPENING IS INTENDED TO GIVE USERS THE ABILITY TO HAVE REASONABLE CAGE/PANEL CLEARANCES, YET MAINTAIN GROUNDING CAPABILITY. THESE VARIABLES CAN BE ADJUSTED IN EITHER DIRECTION BUT MAY CARRY SOME CONSEQUENCES IN THE FORM OF LOWER MATING FORCES OR TIGHTER ASSEMBLY TOLERANCES.



THIRD ANGLE PROJECTION

DRAWING IS SUBJECT TO CHANGE WITHOUT NOTICE

UNLESS OTHERWISE SPECIFIED DIMENSIONS INCHES [METRIC] TOLERANCES ARE:

ANGLES ± 2°

1 PLC. DEC. ±.010" [±0.25]  
 2 PLC. DEC. ±.008" [±0.20]  
 3 PLC. DEC. ±.006" [±0.15]  
 DO NOT SCALE DRAWING

SHEET NO. 2 OF 2

1118 Susquehanna Trail South  
 Glen Rock, PA 17327-9199  
 (717) 235-7512  
<http://www.stewartconnector.com>

TITLE: SFP+ 1X1 CAGE WITH EMI CLIP, PRESS FIT, PCI

THIS DRAWING AND THE SUBJECT MATTER SHOWN THEREON ARE CONFIDENTIAL AND THE PROPRIETARY PROPERTY OF STEWART CONNECTOR AND SHALL NOT BE REPRODUCED, COPIED, OR USED IN ANY MANNER WITHOUT PRIOR WRITTEN CONSENT OF STEWART CONNECTOR. ONE OR MORE U.S. PATENTS MAY APPLY TO THIS PRODUCT. FOR DETAILS, PLEASE VISIT: [HTTP://BELFUSE.COM/STEWART/STEWART\\_PATENTS/](http://BELFUSE.COM/STEWART/STEWART_PATENTS/)

|          |          |      |         |
|----------|----------|------|---------|
| DRN BY:  | TRM      | DATE | 6-5-17  |
| APPD BY: | DHG      | DATE | 6-30-17 |
| DWG NO.  | CT790001 | REV. | A3      |