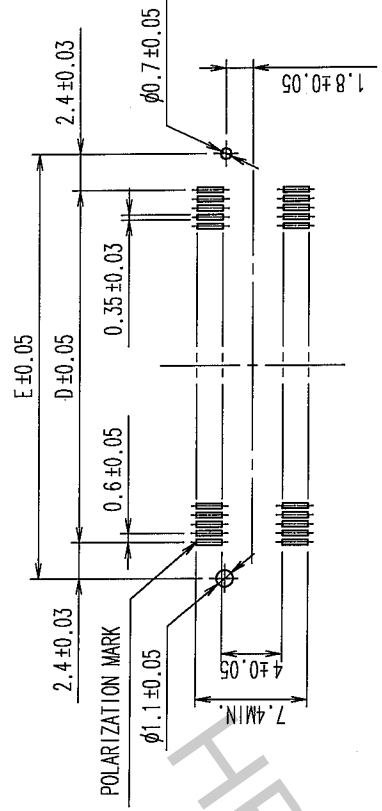


| COUNT | DESCRIPTION OF REVISIONS | BY | CHKD | DATE | COUNT | DESCRIPTION OF REVISIONS | BY | CHKD | DATE |
|-------|--------------------------|-----|------|----------|-------|--------------------------|----|------|------|
| 3 | RE-F-09671 | K.N | H.Y | 04.04.08 | | | | | |
| 1 | DIS-F-000293 | K.D | H.O | 05.07.28 | | | | | |

RECOMMENDED LAND PATTERN DIMENSION OF P.C.B. (MOUNTING SIDE)



DIMENSION TABLE OF CONNECTOR AND P.C.B. LAND PATTERN.

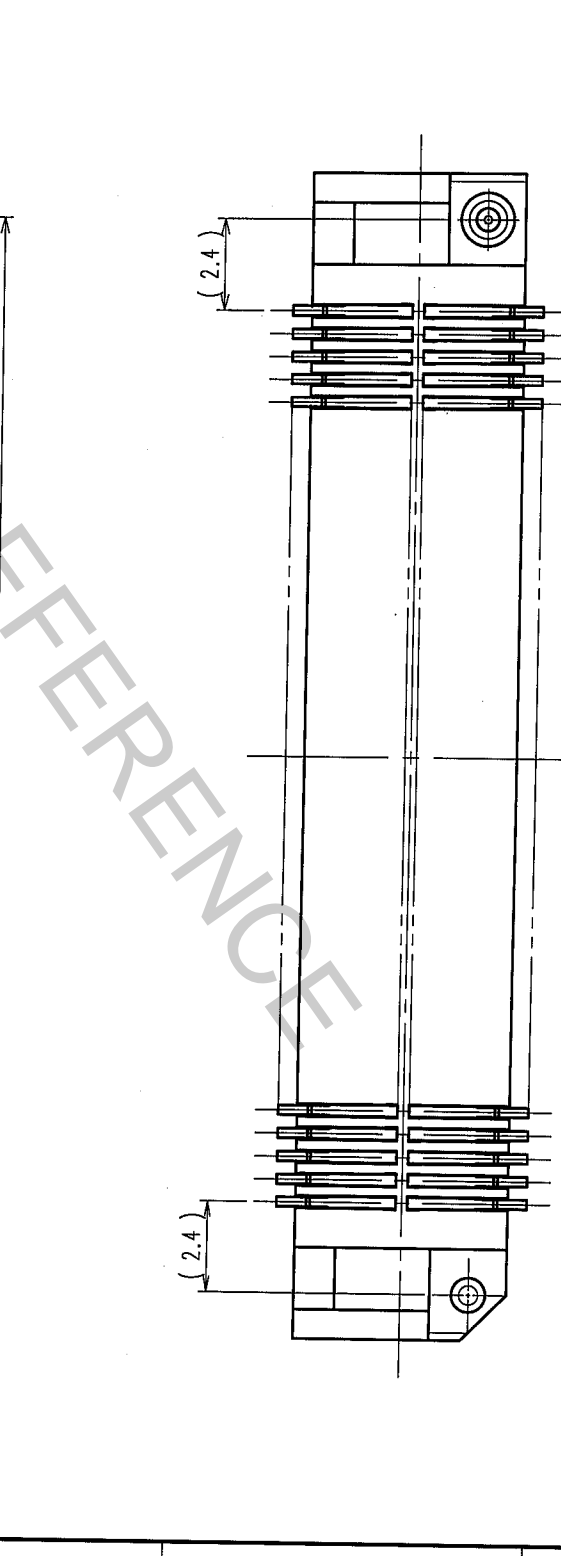
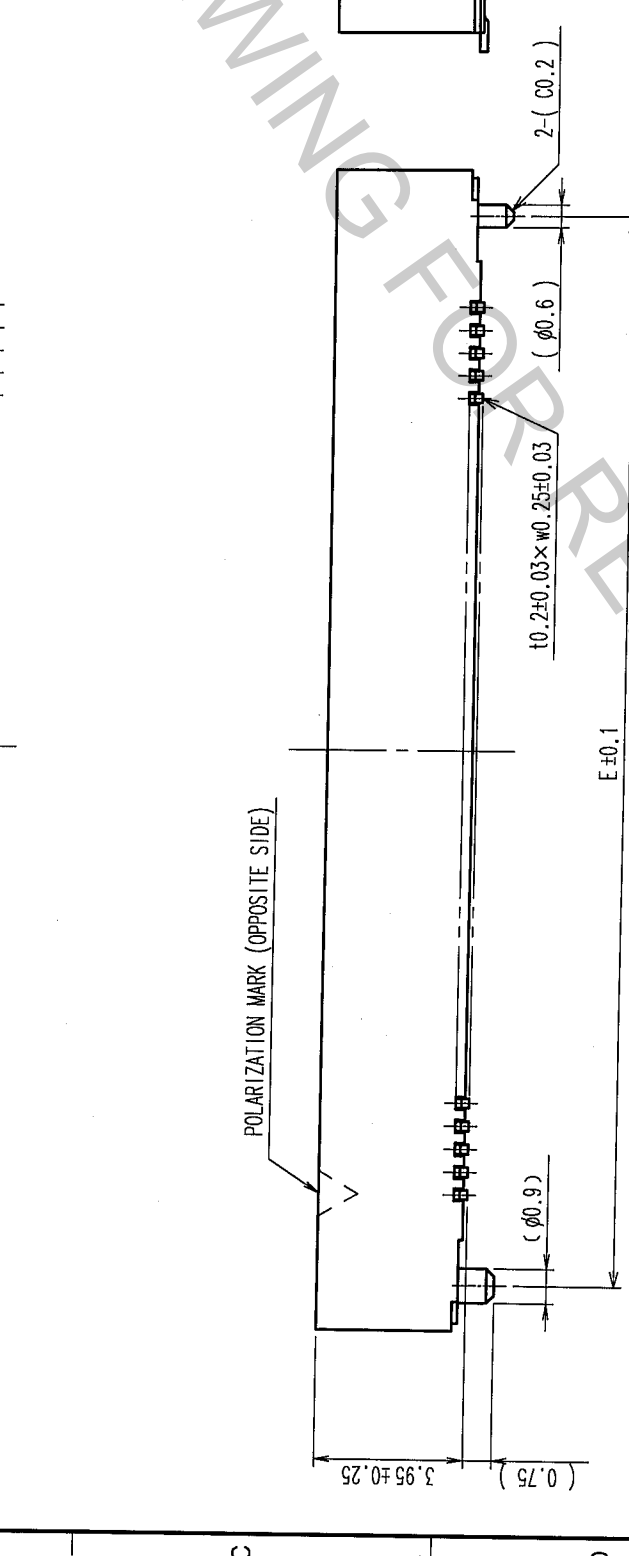
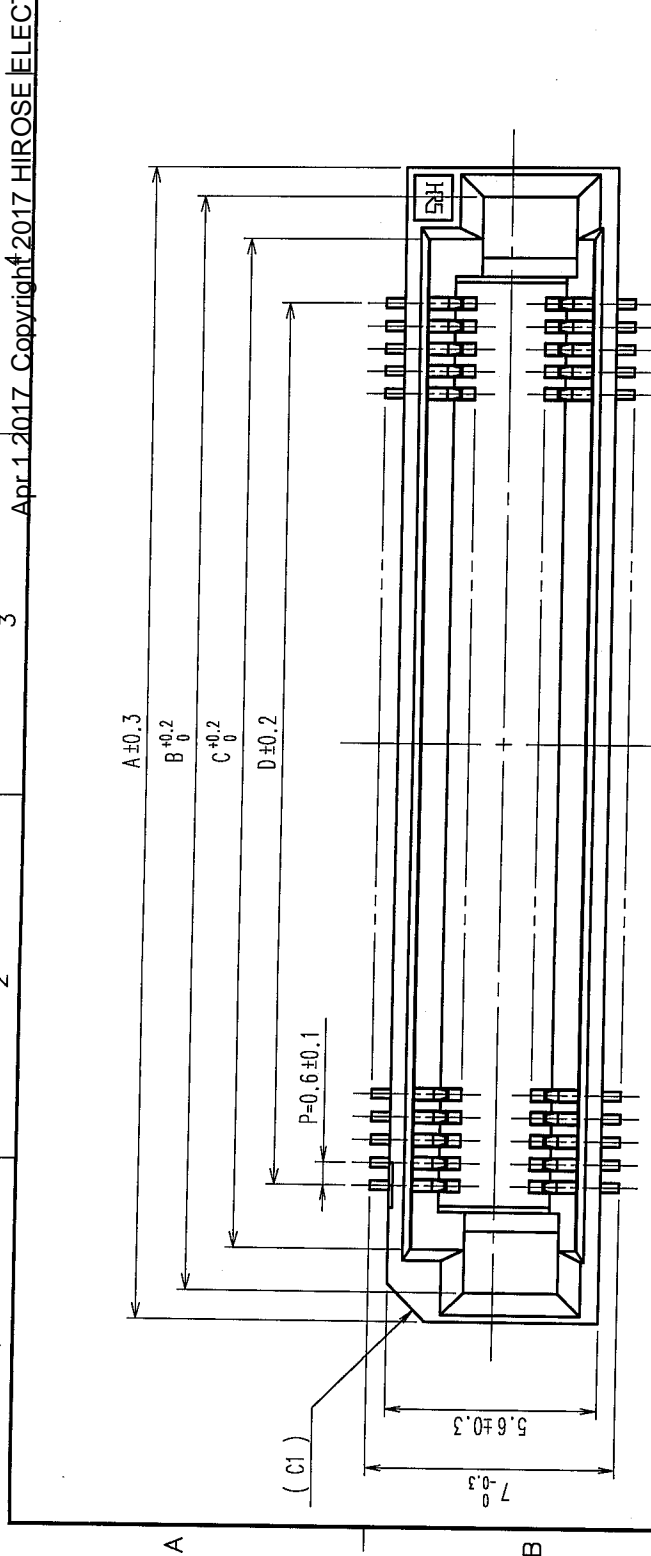
| PART No. | CODE No. | 6 | 7 | A | B | C | D | E |
|------------------|-----------------|-----|---|-------|-------|-------|-------|-------|
| FX8C-60S-SV(93) | CL578-0801-2-93 | 60 | X | 24.60 | 23.05 | 20.80 | 17.40 | 22.20 |
| FX8C-80S-SV(93) | CL578-0803-8-93 | 80 | X | 30.60 | 29.05 | 26.80 | 23.40 | 28.20 |
| FX8C-100S-SV(93) | CL578-0805-3-93 | 100 | X | 36.60 | 35.05 | 32.80 | 29.40 | 34.20 |
| FX8C-120S-SV(93) | CL578-0806-6-93 | 120 | - | 42.60 | 41.05 | 38.80 | 35.40 | 40.20 |
| FX8C-140S-SV(93) | CL578-0807-9-93 | 140 | - | 48.60 | 47.05 | 44.80 | 41.40 | 46.20 |

- NOTE 1. LEAD CO-PLANARITY SHALL BE 0.1mm MAX.
 2. EMBOSSED CARRIER TAPE PACKAGING SHALL BE APPLIED TO THIS PRODUCT. SEE NEXT PAGE FOR DETAILS.
 3. THIS PRODUCT HAS TAPE FOR VACUUM PICKUP. SEE NEXT PAGE FOR DETAIL OF STICKING POSITION, ETC.
 4. FOR MODIFICATION, ETC., PREVENTIVE HOLE FOR SINK MARK MAY BE ADDED ACCORDING TO CIRCUMSTANCES.
 5. THE DIMENSIONS IN PARENTHESES ARE FOR REFERENCE.
- 6 NUMBER OF CONTACTS.
 7 EXISTENCE
 X: PRODUCED, -: NO PRODUCED

| 1 | PPS | LIGHT BROWN (UL94V-0) | 2 | PHOSPHOR BRONZE | CONTACT AREA: GOLD 0.1μm min. LEAD AREA: GOLD FLASH UNDER PLATING: NICKEL 0.5μm min. |
|-----|----------|-----------------------|-----|-----------------|--|
| NO. | MATERIAL | FINISH, REMARKS | NO. | MATERIAL | FINISH, REMARKS |

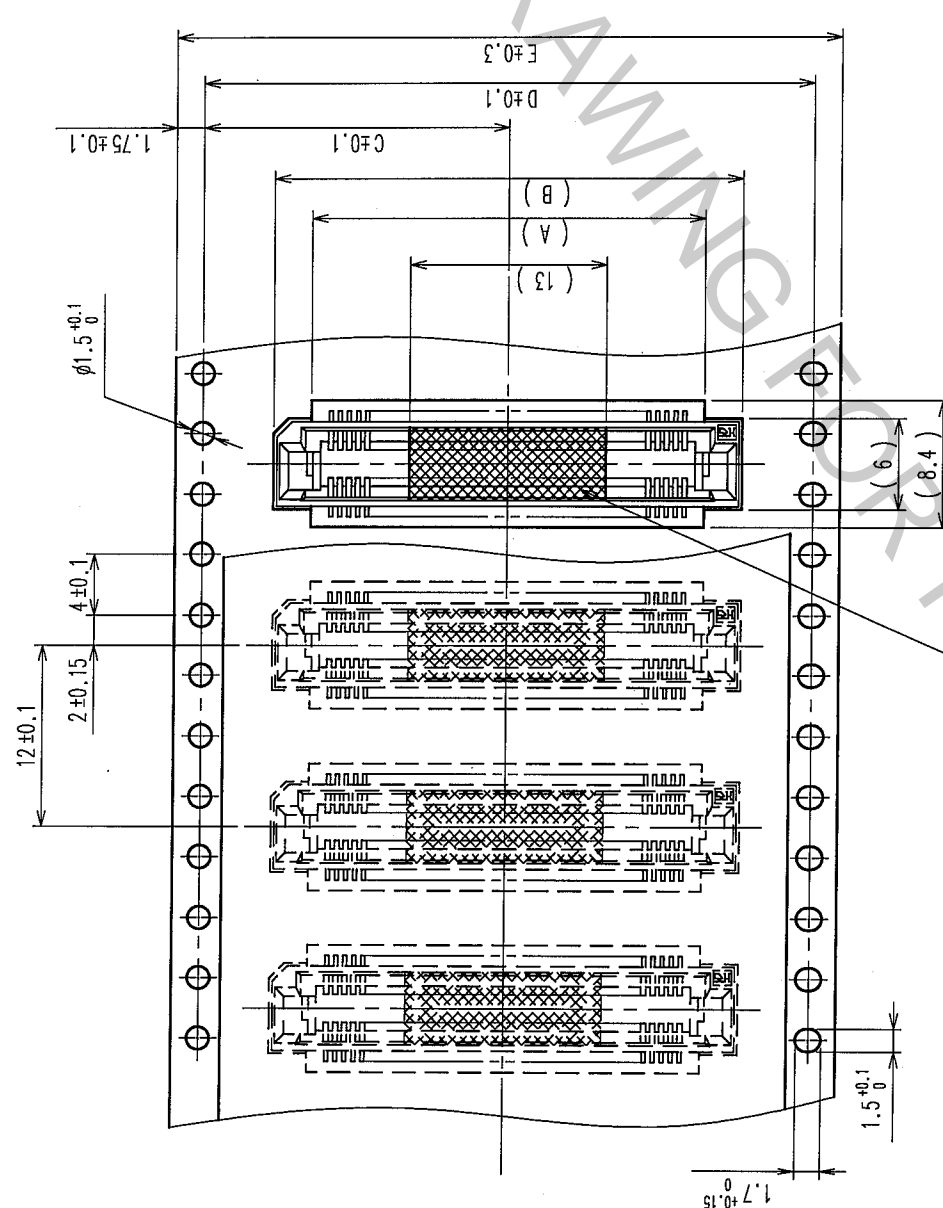
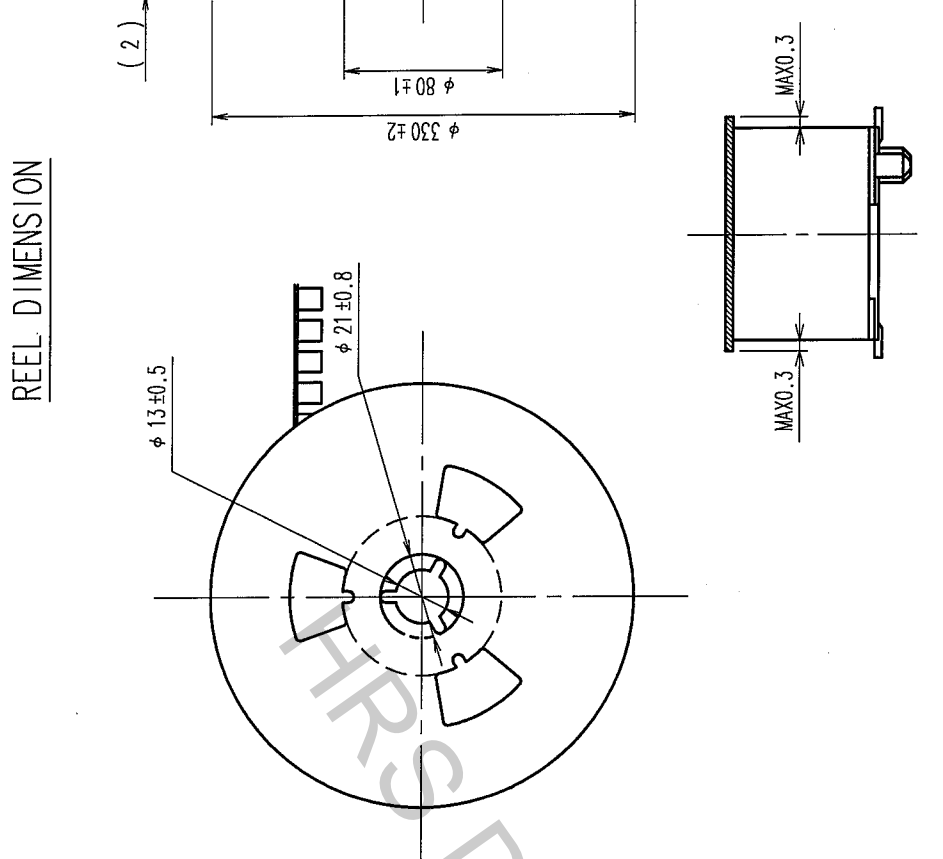
| | | | |
|----------------------------|-----------------|---------------------------|------------------|
| DRAWING NO. EDC3-151022-23 | | PART NO. FX8C-**-S-SV(93) | |
| SCALE FREE | DRAWN S. SUZUKI | DESIGNED K. NAKAMURA | CHECKED H. OKAWA |
| UNITS mm | 03.02.07 | 03.02.17 | 03.02.18 |
| CODE NO. CL | | APPROVED Y. YOSHIMURA | |
| RELEASING | | RELEASED | |

HRS HIROSE ELECTRIC CO., LTD. CL578 1/2



| | |
|-----|--|
| TO | |
| PCK | |

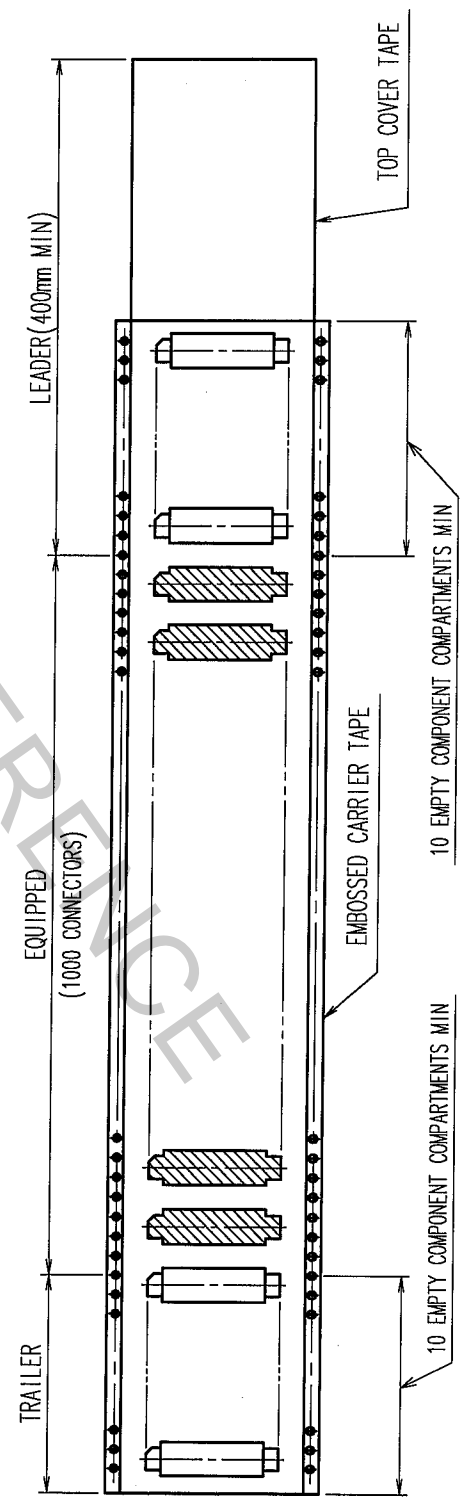
| COUNT | DESCRIPTION OF REVISIONS | BY | CHKD | DATE | COUNT | DESCRIPTION OF REVISIONS | BY | CHKD | DATE |
|-------|--------------------------|----|------|------|-------|--------------------------|----|------|------|
| | | | | | | | | | |
| | | | | | | | | | |



DETAIL OF TAPE FOR VACUUM PICKUP (5:1)

△ DIMENSION TABLE OF EMBOSSED CARRIER TAPE AND REEL.

| PART No. | CODE No. | 2 | 3 | A | B | C | D | E | F |
|------------------|-----------------|-----|---|----|----|------|------|----|------|
| FX8C-60S-SV(93) | CL578-0801-2-93 | 60 | X | 20 | 25 | 20.2 | 40.4 | 44 | 44.4 |
| FX8C-80S-SV(93) | CL578-0803-8-93 | 80 | X | 26 | 31 | 20.2 | 40.4 | 44 | 44.4 |
| FX8C-100S-SV(93) | CL578-0805-3-93 | 100 | X | 32 | 37 | 26.2 | 52.4 | 56 | 56.4 |
| FX8C-120S-SV(93) | CL578-0806-6-93 | 120 | - | 38 | 43 | 26.2 | 52.4 | 56 | 56.4 |
| FX8C-140S-SV(93) | CL578-0807-9-93 | 140 | - | 44 | 49 | 34.2 | 68.4 | 72 | 72.4 |



| | |
|-----|--|
| TO | |
| PCK | |

NOTE
 1. 1 REEL : 1000 CONNECTORS
 2. NUMBER OF CONTACTS
 3. EXISTENCE
 X : PRODUCED, - : NO PRODUCED

| NO. | MATERIAL | FINISH, REMARKS | NO. | MATERIAL | FINISH, REMARKS |
|-----|-----------|-------------------------|-----|-----------|--------------------------|
| 2 | POLYESTER | (TOP COVER TAPE) | 4 | POLYIMIDE | (TAPE FOR VACUUM PICKUP) |
| 1 | PS | (EMBOSSED CARRIER TAPE) | 3 | | (CONNECTOR) |

| CODE No. (OLD) | CL | DRAWN | DESIGNED | CHECKED | APPROVED | RELEASED |
|----------------|----|-----------|-------------|----------|--------------|----------|
| | | S. SUZUKI | K. NAKAMURA | H. OKAWA | Y. YOSHIMURA | |
| | | 03.02.07 | 03.02.17 | 03.02.18 | 03.02.19 | |

| DRAWING NO. | PART NO. |
|----------------|------------------|
| EDC3-151022-23 | FX8C-**-S-SV(93) |

| SCALE | UNITS | CODE NO. |
|-------|-------|----------|
| FREE | mm | CL578 |