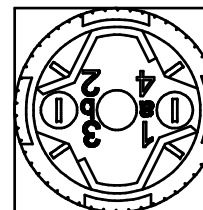
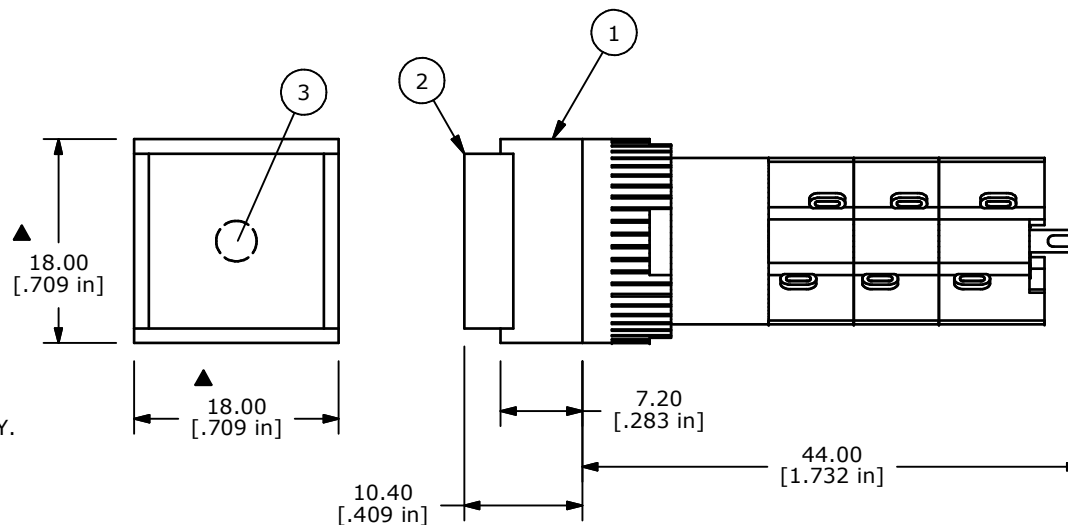
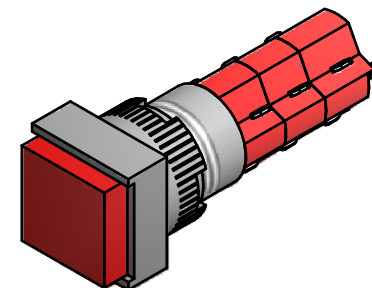
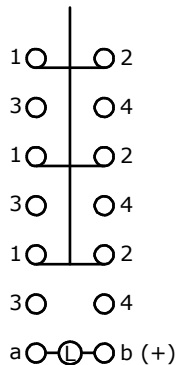
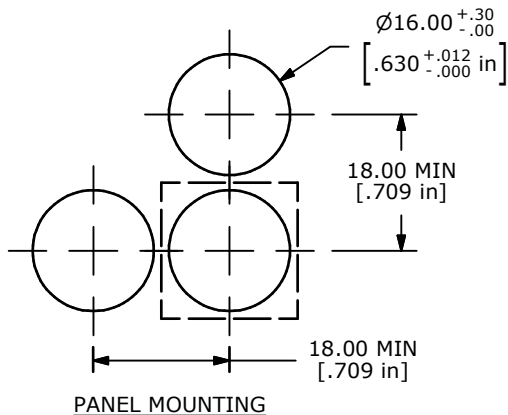


ITEM	QTY	PART NUMBER	DESCRIPTION
1	1	F040021	D16EES13
2	1	F052314	50-003-14 LENS, SQUARE, FLAT, OPAQUE, RED
3	1	F050423	50-004-23 LED, 24VDC, RED



- NOTE:
1. ALL DIMENSIONS IN MM [INCH].
 2. GENERAL TOLERANCE: X.X=±0.4
X.XX=±0.25
 3. TERMINAL NUMBERS FOR REF ONLY.
 4. RATING: 5A @ 250VAC UL, VDE
8A @ 125VAC UL, VDE
6A @ 24VDC
0.2A @ 250VDC
 5. ELECTRICAL LIFE: 50,000 MAKE-AND-BREAK CYCLES
AT FULL LOAD min.
 6. INSULATION RESISTANCE: 1,000 MEGA-OHM min.
 7. OPERATING TEMP.: -25°C to +55°C
 - ▲ 8. LAMP VOLTAGE: 24V DC LED (RED)
 9. PANEL THICKNESS = 0.5mm TO 5.0 mm
 10. ▲ DENOTES CRITICAL PARAMETER.
 11. PACKAGE: BOX / 20 PIECES PER BOX
 12. DEGREE OF PROTECTION: IP40
 13. TRAVEL: 3.00 mm FULL TRAVEL, 2.0 mm LATCH.
 14. 2002/95/EC (ROHS) COMPLIANT.



TITLE D16EES13KREDRED

A	18256	RELEASED FOR PRODUCTION	9/23/08	BLR
REV	PCR NO	DESCRIPTION	DATE	BY

SCALE	DATE	DR	DWG	REV
1.5:1	9/23/2008	BLR	XF0767P	A

THE INFORMATION CONTAINED IN THIS DOCUMENT IS PROPRIETARY TO E-SWITCH AND IS NOT TO BE COPIED OR TRANSFERRED