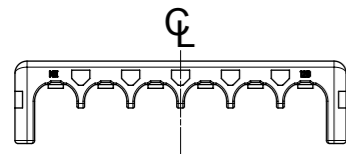
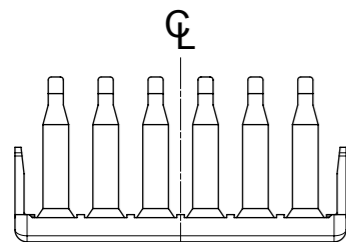
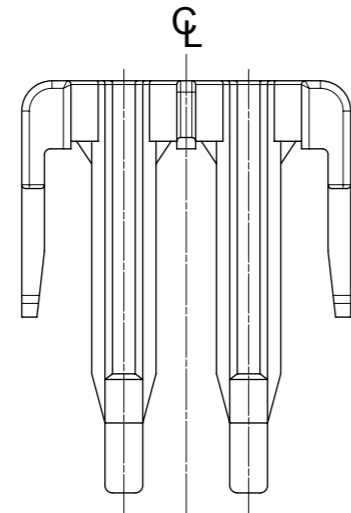
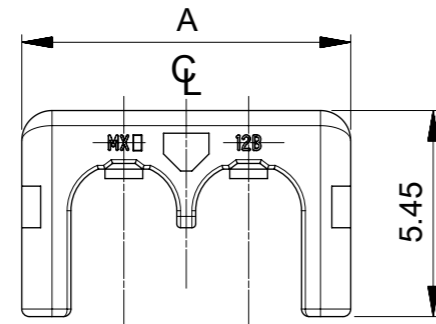
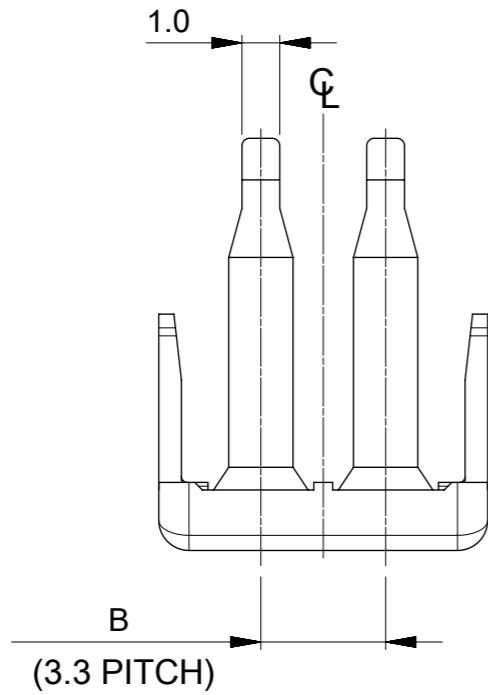
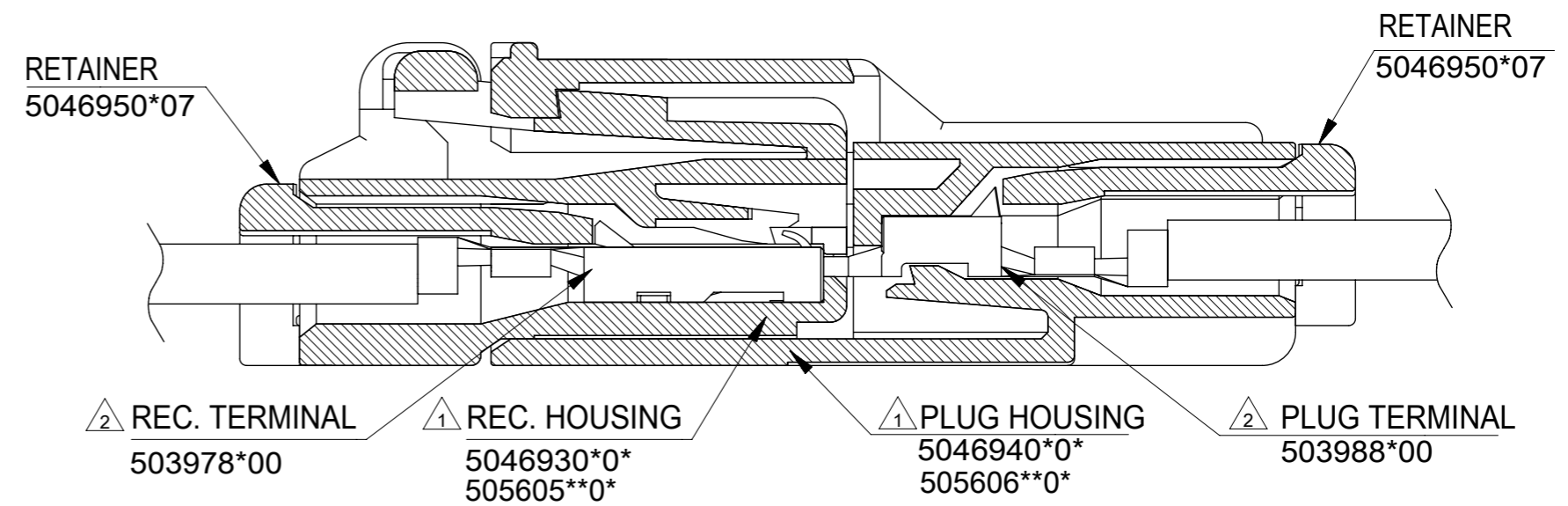


SHAPE OF 2CKTS



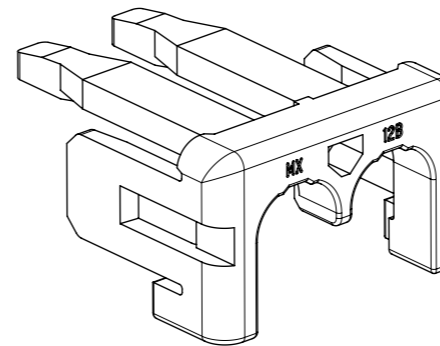
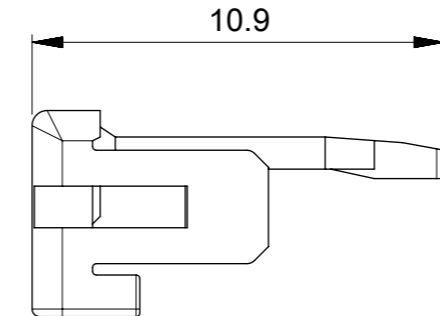
VIEW OF CKT.6

ターミナル嵌合状態図
TERMINAL MATING DRAWING



注記
NOTES

- △1 適合ハウジング:504693,504694,505605,505606 シリーズ。
APPLICABLE HSG: 50393,504694,505605,505606 SERIES.
- △2 適合ターミナル:50397/50398 シリーズ。
APPLICABLE TERMINAL: 50397/50398 SERIES.
- 3. 材質 : POLYESTER(PBT),UL94V-0
MATERIAL:POLYESTER(PBT),UL94V-0
色 : 茶
COLOR: BROWN
- 4. コネクタの取扱いについては、AS-504693-001/002を参照。
PLEASE REFER TO AS-504693-001/002.



ISOMETRIC VIEW
(SCALE 5:1)

16.5	21.9	6	5046950607	5046950*07
13.2	18.6	5	5046950507	
9.9	15.3	4	5046950407	
6.6	12.0	3	5046950307	
3.3	8.7	2	5046950207	
(B)	A	極数 CKT.	BAG PACKAGE オーダー番号 ORDER NO.	MODEL NO.

THIS DRAWING CONTAINS INFORMATION THAT IS PROPRIETARY TO MOLEX ELECTRONIC TECHNOLOGIES, LLC AND SHOULD NOT BE USED WITHOUT WRITTEN PERMISSION

REVISED EC NO: 120448 DRWN: QHE31 CHK'D: SAKIYAMA APPR: TKANEKO	2017/08/08	2017/09/04	2017/09/04	GENERAL TOLERANCES (UNLESS SPECIFIED)	DIMENSION UNITS	SCALE		
	4 PLACES	± 0.2	ANGULAR TOL ± 3.0 °		mm	5:1		
	3 PLACES	± 0.2	1 PLACE ± 0.2		DRWN BY	DATE		QHE31 2016/11/04
	2 PLACES ± 0.2	1 PLACE ± 0.2	0 PLACES ± 0.2		CHK'D BY	DATE		SAKIYAMA 2017/02/13
					APPR BY	DATE	TKANEKO 2017/02/13	
				DRAFT WHERE APPLICABLE MUST REMAIN WITHIN DIMENSIONS	DRAWING SIZE	THIRD ANGLE PROJECTION	SERIES: 504695 MATERIAL NUMBER: SEE CHART CUSTOMER: GENERAL	
					A3		DOCUMENT NUMBER: 5046950000 DOC TYPE: PSD DOC PART: 000 SHEET NUMBER: 1 OF 1	