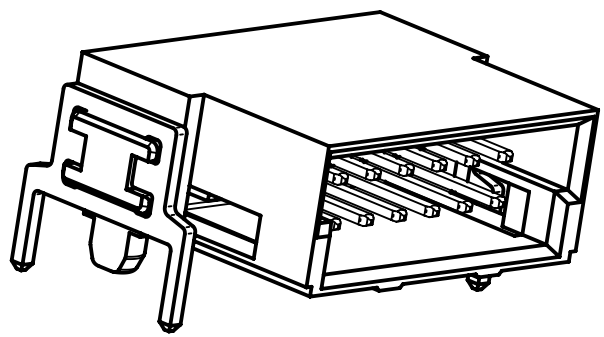
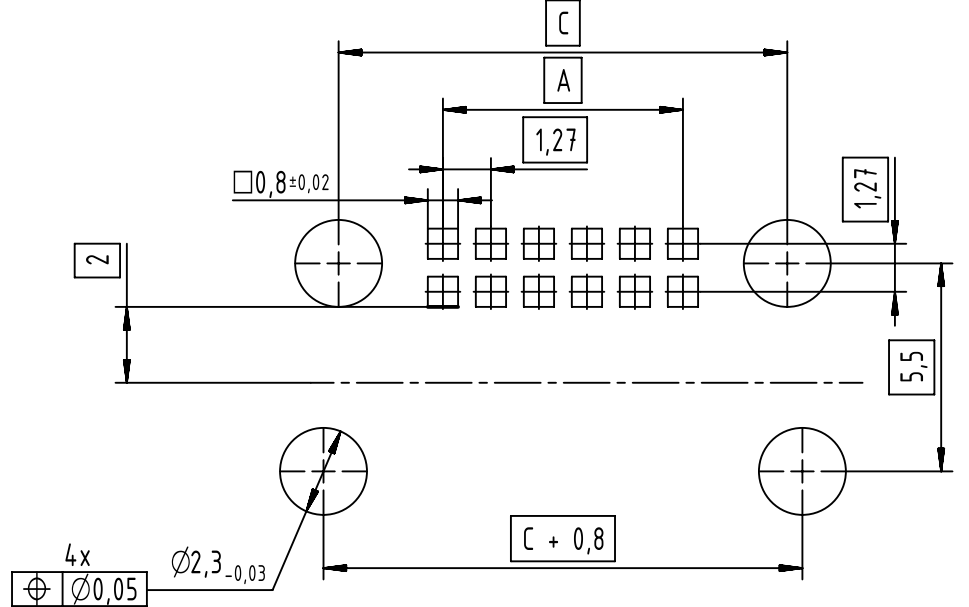


| Performance level        |   |
|--------------------------|---|
| PL1 : >500 mating cycles | 2 |

| Packaging                        |     |
|----------------------------------|-----|
| tape & reel with 440pcs per reel | 000 |
| samples                          | 333 |

| Part number       | no of contacts | A     | B     | C     | D     | E     | F     |
|-------------------|----------------|-------|-------|-------|-------|-------|-------|
| 15 15 012 2401xxx | 12             | 6,35  | 10,77 | 11,87 | 9,57  | 8,57  | 12,70 |
| 15 15 026 2401xxx | 26             | 15,24 | 19,66 | 20,76 | 18,46 | 17,46 | 21,59 |
| 15 15 080 2401xxx | 80             | 49,53 | 53,95 | 55,05 | 52,75 | 51,75 | 55,88 |
| 15 15 100 2401xxx | 100            | 62,23 | 66,65 | 67,75 | 65,45 | 64,45 | 68,58 |

**Stencil recommendation**



|                          |                       |                 |                          |                 |                 |                     |               |
|--------------------------|-----------------------|-----------------|--------------------------|-----------------|-----------------|---------------------|---------------|
| Coating                  | A=                    | mm <sup>2</sup> | V=                       | mm <sup>3</sup> | m=              | g                   | Mat.          |
|                          | All Dimensions in mm  |                 | Scale                    | Free size tol.  |                 | Ref.                |               |
|                          | Original Size DIN A3  |                 | 5:1                      |                 |                 | Sub.                |               |
|                          | All rights reserved   |                 | Created by               | Inspected by    | Standardisation | Date                | State         |
|                          | Department EC PD - FR |                 | MAILLARDS                | DE VANSAY       | HOFFMANN        | 2014-12-17          | Final Release |
| HARTING Electronics GmbH |                       |                 | Title                    |                 |                 | Doc-Key / ECM-Nr.   |               |
| D-32339 Espelkamp        |                       |                 | har-flex THR angled male |                 |                 | 100587460/UGD/002/C |               |
|                          |                       |                 | Type                     | Number          |                 | Rev.                | Page          |
|                          |                       |                 | TB                       | 1515XXX2401_XXX |                 | C                   | 1/1           |

Find further technical information on the drawing DS 15151210200