

P/N 10081533-001LF

RESERVED FOR PICK&PLACE NOZZLE

A

B

C

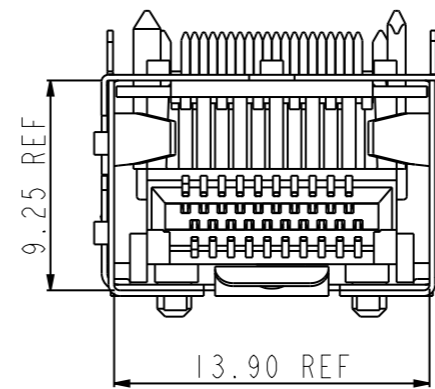
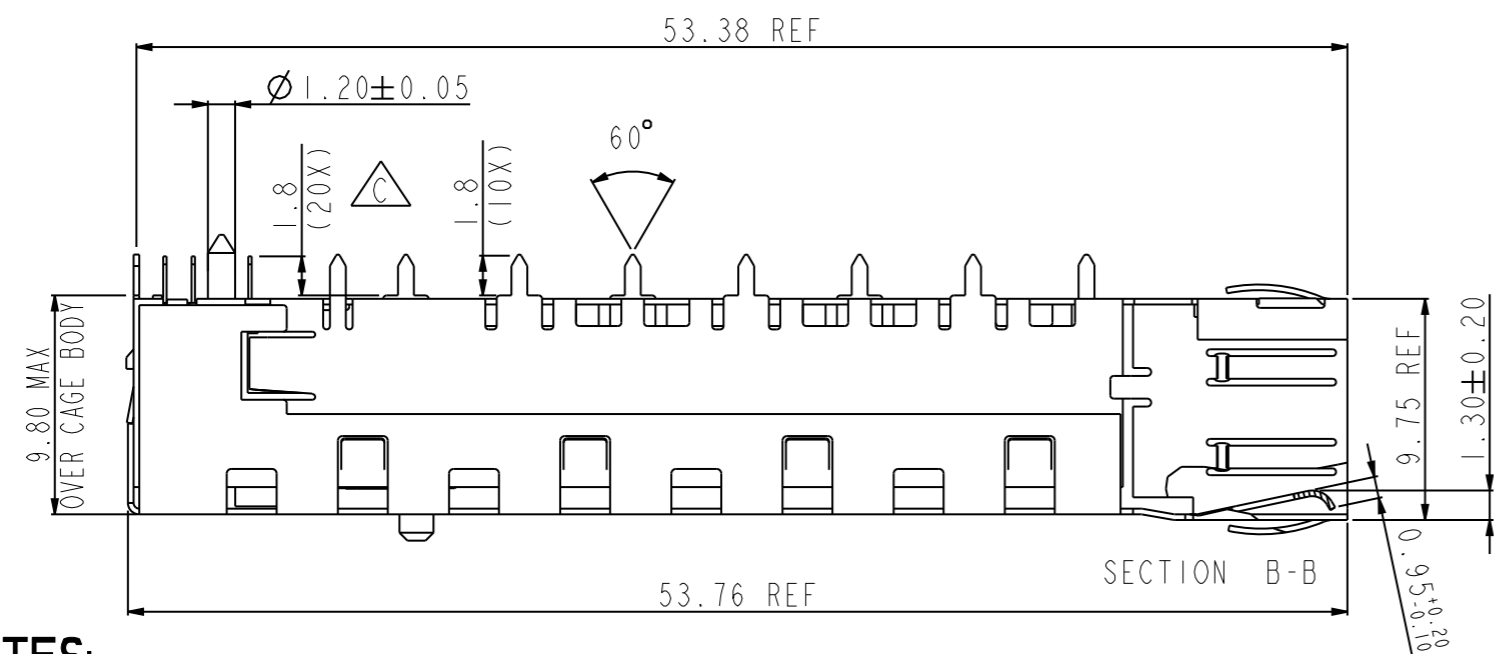
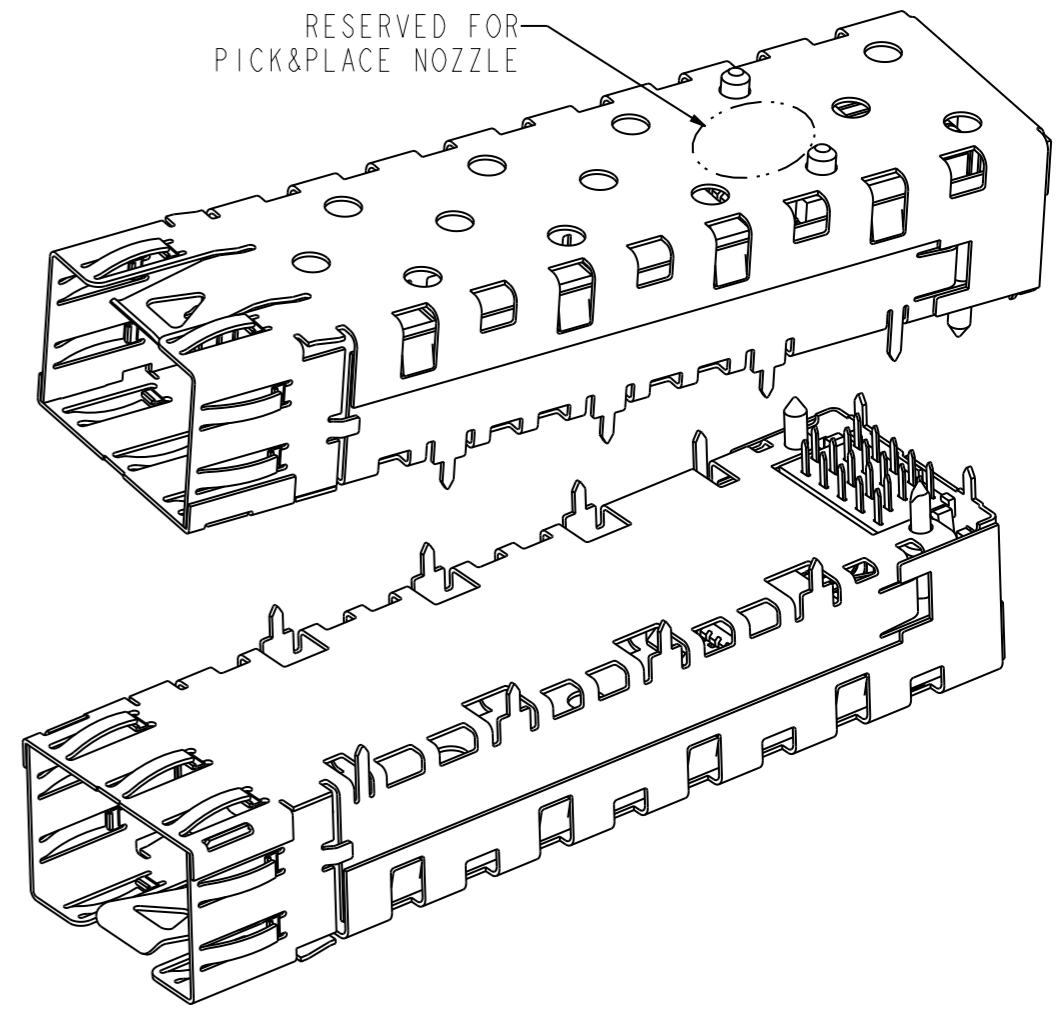
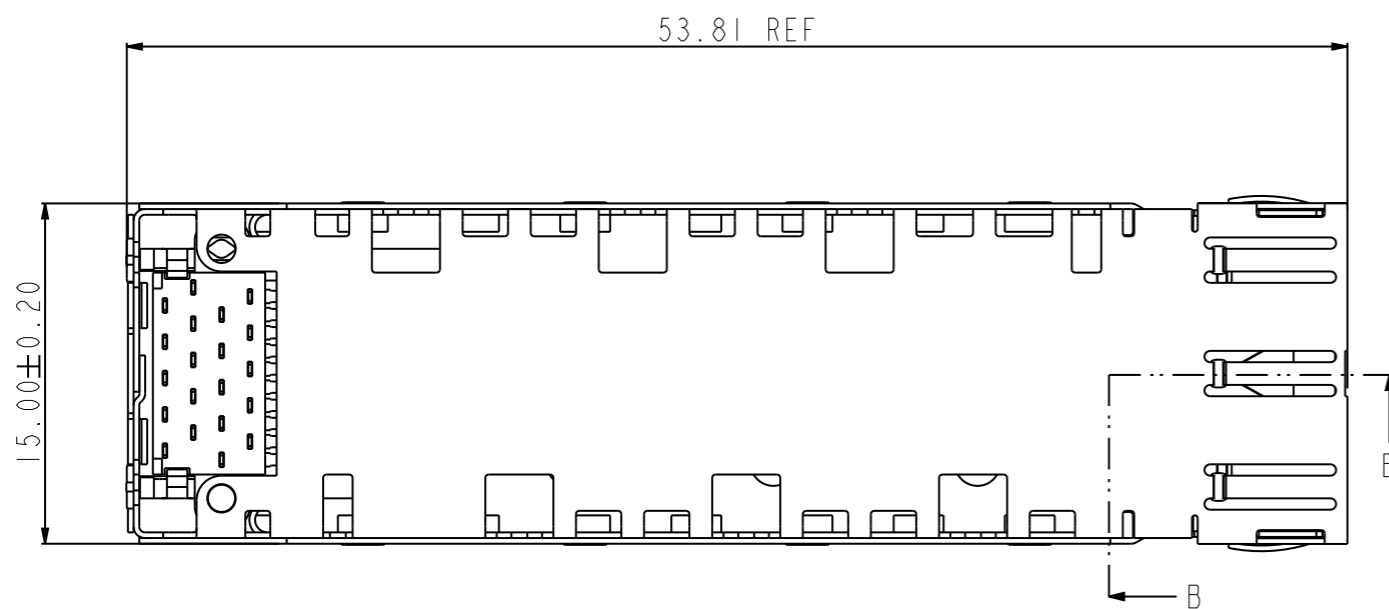
D

A

B

C

D



**NOTES:**

- MATERIAL:  
TOP & BOTTOM CAGE: COPPER ALLOY WITH PRE-PLATED Sn,  
NON-PLATED EDGES PERMISSIBLE  
HOUSING: BLACK LCP PLASTIC CAPABLE OF WITHSTANDING A REFLOW  
PROCESS TEMPERATURE UP TO 260°C  
TERMINAL: COPPER ALLOY
- PACKAGING:  
TAPE & REEL ACCORDING TO EIA-481-B
- THIS PRODUCT MEETS EUROPEAN UNION DIRECTIVES AND OTHER  
COUNTRY REGULATIONS AS DESCRIBED IN GS-22-008
- THE CONNECTOR WILL WITHSTAND EXPOSURE TO 250°C PEAK   
TEMPERATURE IN A CONVECTION, INFRA-RED OR VAPOR PHASE OVEN

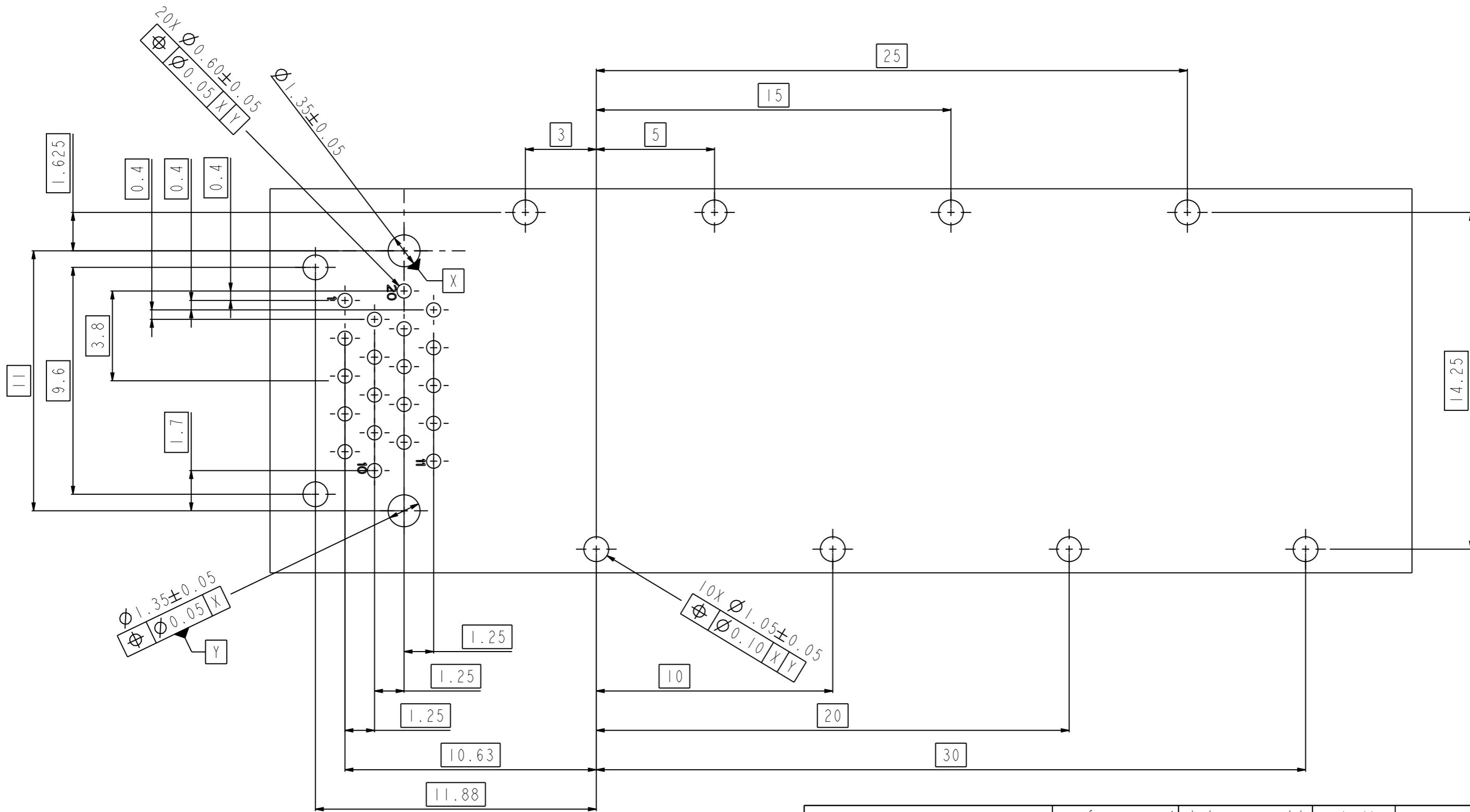
www.fci.com				surface	tolerance std	projection	mm
				✓	-		←→
				TOLERANCES UNLESS OTHERWISE SPECIFIED			
Dr	Nickor Zuo	24 Oct 08	ANGULAR	0.X	±0.3	size	Scale
Eng	H v Woensel	8 May 08	LINEAR	0.XX	±0.10	A3	3.000
Chr	H v Woensel	8 May 08	0° ±°	0.XXX	±0.050	ECN	-
Appr	H v Woensel	8 May 08	Product family			Spec ref	-
				SFP Cage assembly		dwg no	10081533
				PIP version		Rev.	C
				catalog no		* CUSTOMER COPY	sheet 1 of 3

rev	ecn no	dr	date
A	DG09-0031	NZ	2009-02-12
B	DG09-0206	NZ	2009-06-25
C	DG10-0010	NZ	2010-06-03



Copyright FCI.

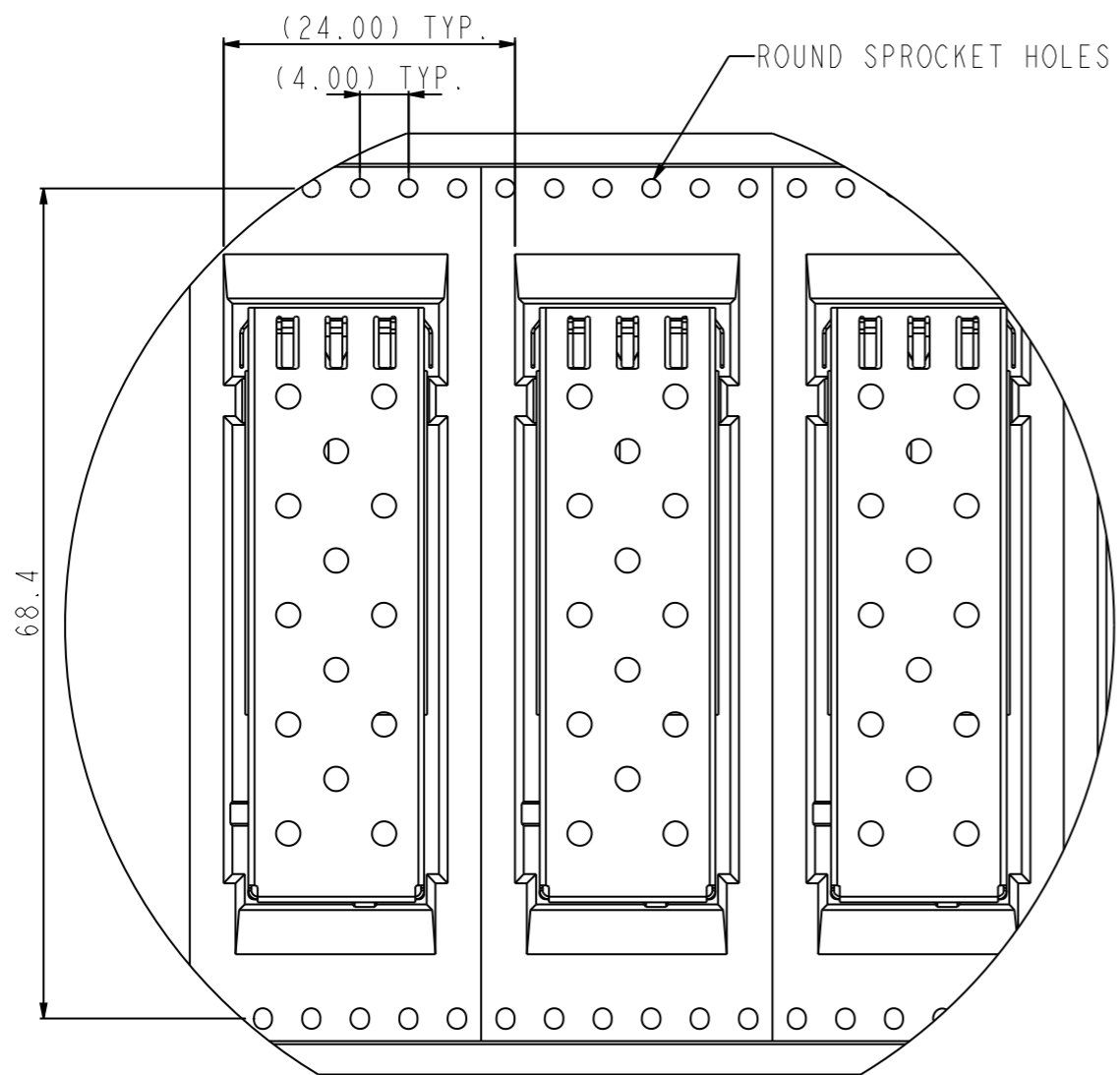
P/N 10081533-001LF



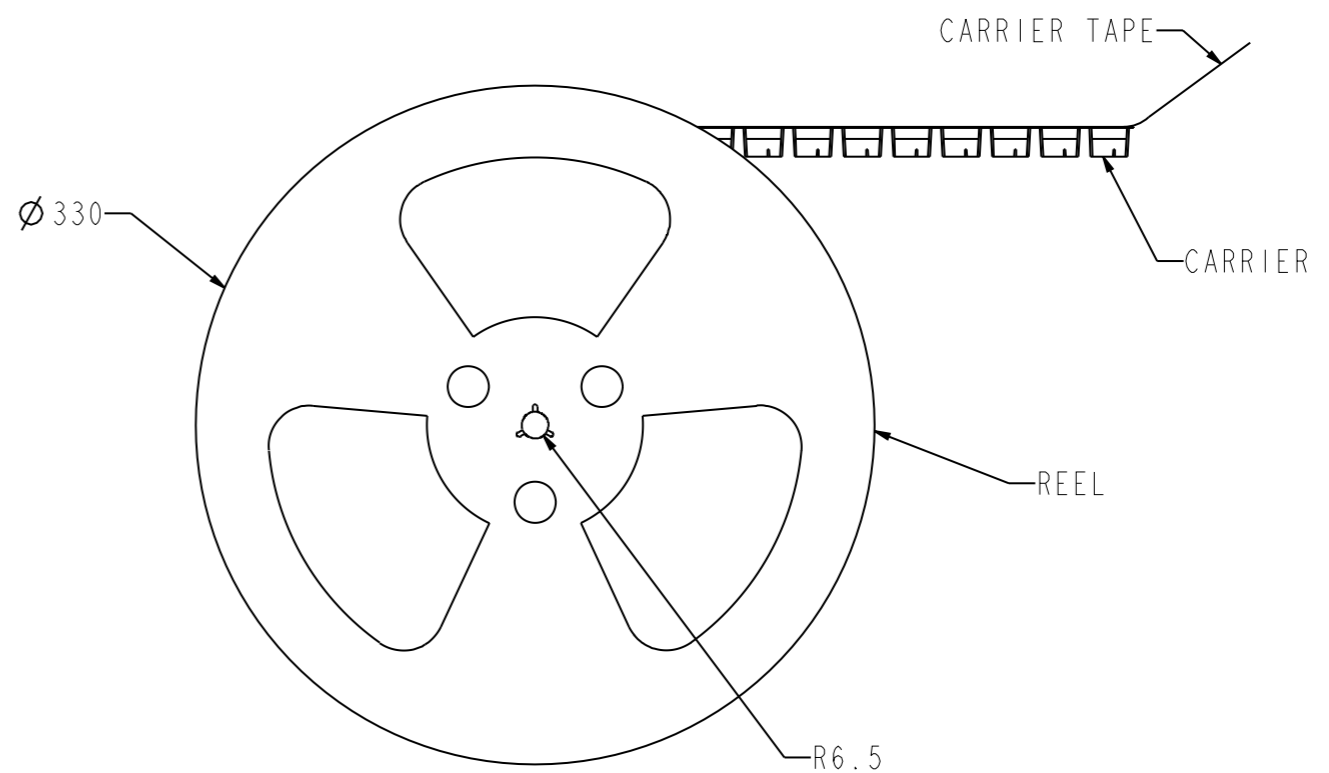
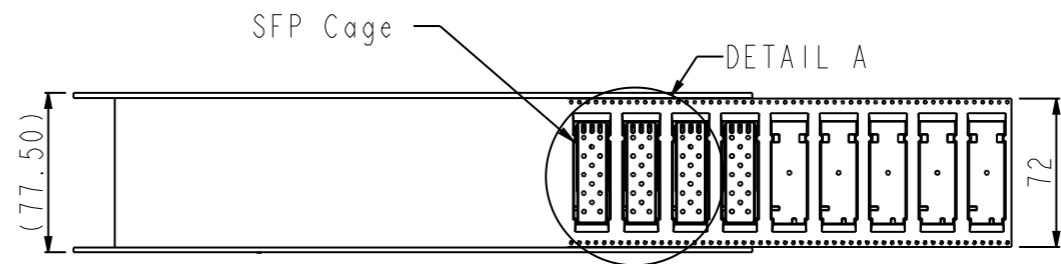
**PC BOARD LAYOUT**  
SCALE 6.000

www.fci.com		surface	tolerance std	projection	mm
		-	-		
TOLERANCES UNLESS OTHERWISE SPECIFIED					
Dr	Nickor Zuo	24 Oct 08	ANGULAR	0.X	±0.3
Eng	H v Woensel	8 May 08	LINEAR	0.XX	±0.10
Chr	H v Woensel	8 May 08	0° ±°	0.XXX	±0.050
Appr	H v Woensel	8 May 08	Product family	size	A3
				ECN	-
				Spec ref	-
			SFP Cage assembly		Rev.
			PIP version		C
catalog no			* CUSTOMER COPY		sheet 2 of 3
			dwg no		10081533

P/N 10081533-001LF



DETAIL A SCALE 1.5 : 1  
CONNECTOR ORIENTATION



- NOTES:  
1. 330mm DIAMETER REEL  
2. 150 PARTS PER REEL  
3. 3 REELS PER BOX  
4. 7.2mm WIDE CARRIER TAPE



Copyright FCI.



title	SFP CAGE PACKING
catalog no	-

dwg no	10081533
--------	----------

Rev.	C
------	---

CUSTOMER COPY	sheet 3 of 3
---------------	--------------