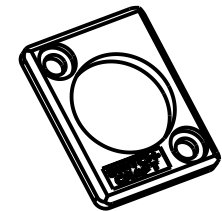
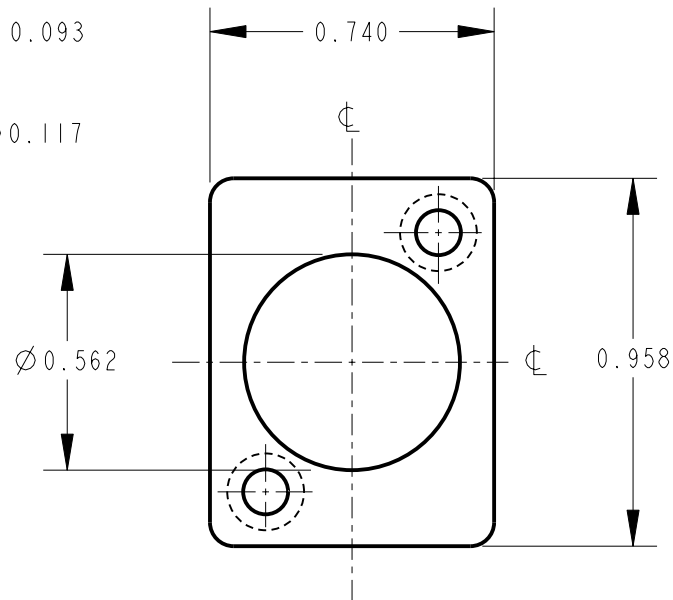


SECTION B-B



SCALE 1:1

PART NUMBER	PART REV.	COLOR	ESCUTCHEON
TYEF01	A	RED	417E1112E
TYEF02	B	BLACK	417E1110A
TYEF03	A	GREEN	417E1115C
TYEF04	A	BLUE	417E1116G
TYEF05	A	WHITE	417E1119B
TYEF08	INACTIVE	YELLOW	417E1114B
TYEF11	INACTIVE	GRAY	417E1118G

ALL DIMENSIONS ARE REFERENCE

★ STAR SYMBOL DENOTES CRITICAL DIMENSION

THIS DRAWING DESCRIBES A DESIGN CONSIDERED PROPRIETARY IN NATURE, DEVELOPED AND MANUFACTURED BY SWITCHCRAFT INC. AND IS RELEASED ON A CONFIDENTIAL BASIS FOR IDENTIFICATION PURPOSES ONLY.

UNLESS OTHERWISE SPECIFIED

SIZE WIDTH MULT LBS/M TEMPER

- ALL DIMENSIONS IN INCHES  
- TWO PLACE DECIMALS ±0.01  
- THREE PLACE DECIMALS ±0.005  
- ANGLES ±1°  
- ALL DIA. CONCENTRIC WITHIN 0.005 T.I.R.

FINISH SEE TABLE MATERIAL SPEC No.

D 22588 12-10-98 JL EB

FIRST USED ON TY\*F SCALE 2:1

C 22579 12-9-98 JL EB

DATE DRAWN BY CHKD APVD  
6-3-80 IG JS EB  
6-19-80 12-10-98

B 20900 7-15-96 RC JF

**Switchcraft®**

A 16198 9-4-90 CS CS

- FEATURES ON THE SAME CENTERLINE MUST BE ALIGNED WITHIN ±0.002

SHEET | OF |

REV ECO NUMBER DATE BY APVD

NAME ESCUTCHEON PLASTIC PART No. TYEF\*\* REV D

REVISIONS

DO NOT SCALE DRAWING

