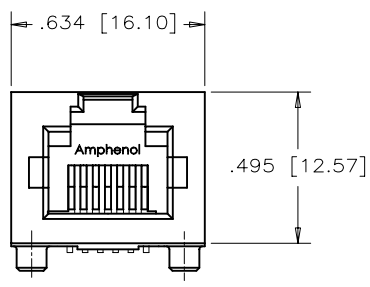
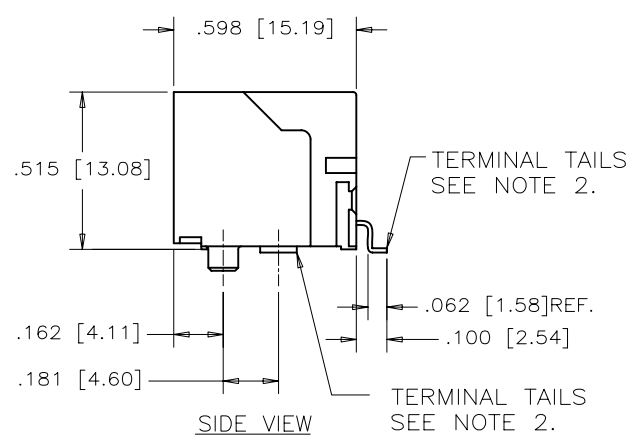


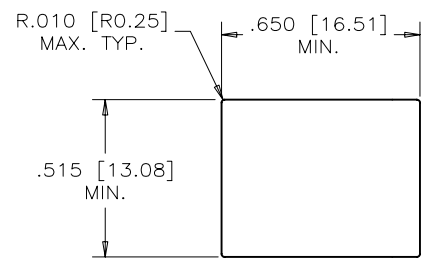
REVISIONS				
SYM	ZONE	ECN, ERN NO.	DATE	APPRD.
A		PER ECN E07213	JUL 6,07	L.CHAN
B		PER ECN E07250	JUL 25/07	L.CHAN



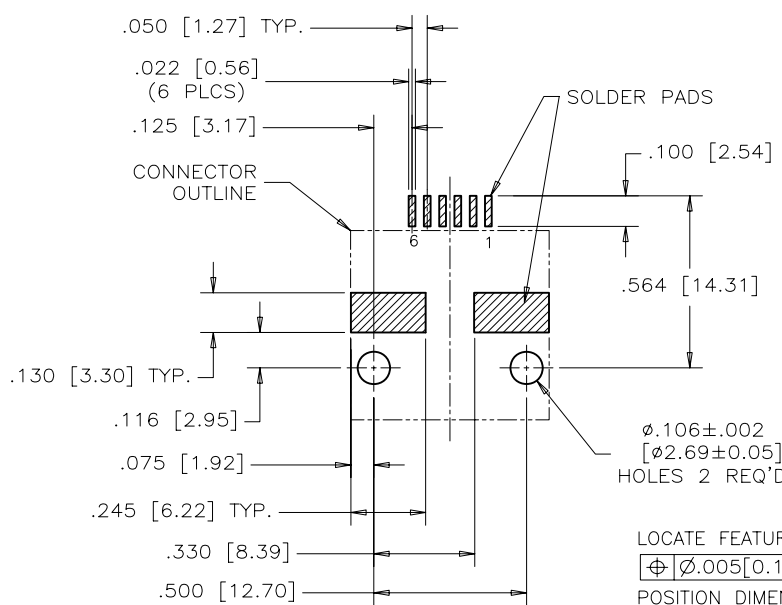
FRONT VIEW



SIDE VIEW



RECOMMENDED PANEL CUTOUT



RECOMMENDED P.C.B. LAYOUT
(COMPONENT SIDE OF BOARD)

**DATA CONTROL
RELEASE**
 DEPT. NO. --626--
 DATE: DEC 25,2007

NOTES

1. MATERIAL:

HOUSING: HIGH TEMPERATURE THERMOPLASTIC
FLAMMABILITY RATING UL 94V-0
COLOR: BLACK

CONTACTS:
PLATING:

PHOSPHOR BRONZE
20 μ" [0.508 MICRONS]
MIN. GOLD ON MATING SURFACES.
50 μ" [1.27 MICRONS]
MIN. NICKEL UNDERPLATE
100 μ" [2.54 MICRONS]
MIN. MATTE OR BRIGHT TIN
ON CONTACT TAILS.

2. COPLANARITY SPECIFICATION:

WITH THE MODULAR JACK SITTING ON A
LEVEL SURFACE, THE MAXIMUM GAP BETWEEN
THE LEVEL SURFACE AND ALL TERMINAL TAILS
AND BOTH FITTING NAILS IS .004 [0.10].

SUITABLE FOR SOLDERING IN ACCORDANCE JEDEC-020C STANDARD.
AMPHENOL PART NUMBER: RJSSE-7060

MATERIAL -----	DRAWN	J.OUYANG	DATE	APR.06,07	Amphenol Canada Corp. TITLE SURFACE MOUNT, RJ11 6 POSITION, 6 CONTACTS, WITHOUT SHIELD, TRAY PACKAGING-RoHS COMPLIANT
	DESIGNED				
	CHECKED	MT.CHEN		JUL.06,07	
	I. E. APPRD.	JEFF.S		JUL.06,07	
FINISH -----	Q. A. APPRD.				DWG DRAWING NO. C P-RJSSE-7060 REV. B
	DWG. APPRD.				
	ENG. REL. NO.	ECN E07213			
	REF.	EAR #A070709			
DIMENSIONS ARE IN		CODE ID. NO.			
INCHES [mm]		03554	SCALE	2:1	WT. -----
			SURF. -----	SHEET 1 OF 1	

THIS DOCUMENT CONTAINS PROPRIETARY INFORMATION AND SUCH INFORMATION
MAY NOT BE DISCLOSED TO OTHERS FOR ANY PURPOSE OR USED FOR MANUFACTURING
PURPOSES WITHOUT WRITTEN PERMISSION FROM AMPHENOL CANADA CORP.