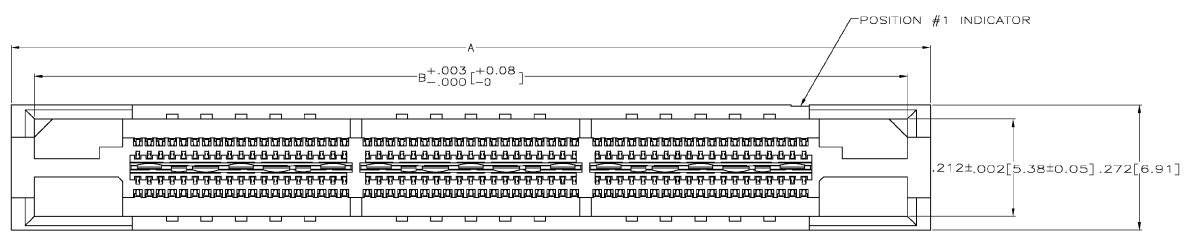
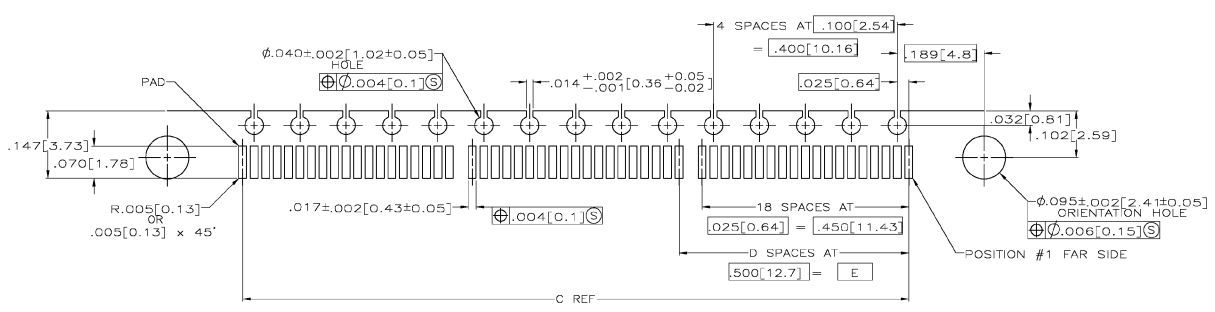
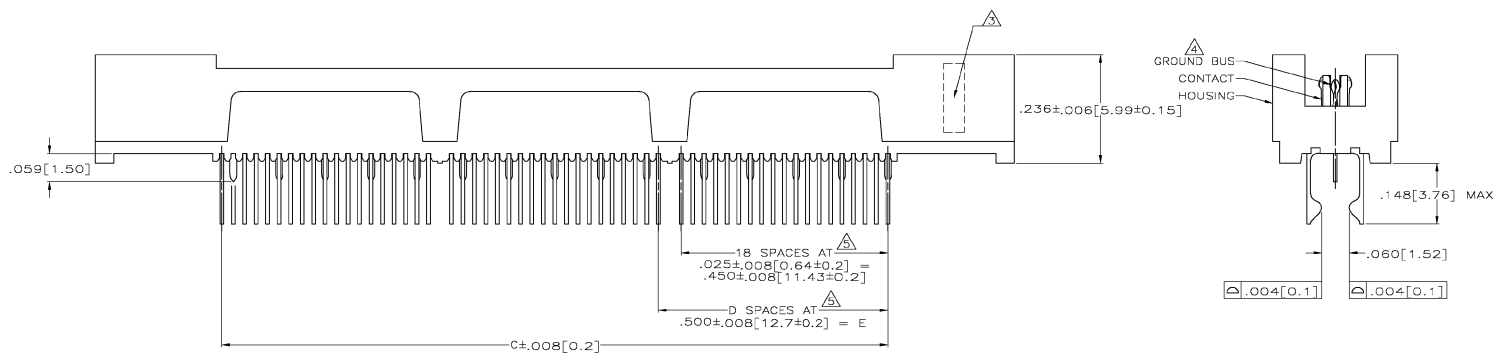


LOC	DATE	REV	DESCRIPTION	DATE	BY	APP
AD	47	R	REVISED PER EC 0512-0073-04	08FED04	NK	DD



- ⚠ HOUSING: LIQUID CRYSTAL POLYMER, COLOR BLACK.
- CONTACTS: HIGH RELIABILITY COPPER ALLOY.
- GROUND BUSES: PHOSPHOR BRONZE ALLOY, UNS C51100.
- CONTACTS & GROUND BUSES: .000005[0.00013] MIN GOLD OVER .000030[0.00076] MIN PALLADIUM NICKEL ON CONTACT AREA, .000150-.000250[0.00381-0.00635] 60/40 TIN-LEAD ON LEADS, ALL OVER .000075-.000175[0.00191-0.00445] NICKEL.
- ⚠ DATE CODE MARKED IN AREA INDICATED ON SIDE OPPOSITE POSITION #1.
- ⚠ ONE GROUND BUS WITH 5 TAILS PER EACH MODULE.
- ⚠ TOLERANCE NON-ACCUMULATIVE.



PC BOARD THICKNESS	BUS LEADS TYPE	E	D	C	B	A	NO. OF POS	PART NUMBER
.062 [1.57]	EXTENDED	3.000 [76.2]	6	3.450 [87.63]	3.900 [99.06]	4.000 [101.6]	266	767044-7
.062 [1.57]	EXTENDED	2.500 [63.5]	5	2.950 [74.93]	3.400 [86.36]	3.500 [88.9]	228	767044-6
.062 [1.57]	EXTENDED	2.000 [50.8]	4	2.450 [62.23]	2.900 [73.66]	3.000 [76.2]	190	767044-5
.062 [1.57]	EXTENDED	1.500 [38.1]	3	1.950 [49.53]	2.400 [60.96]	2.500 [63.5]	152	767044-4
.062 [1.57]	EXTENDED	1.000 [25.4]	2	1.450 [36.83]	1.900 [48.26]	2.000 [50.8]	114	767044-3
.062 [1.57]	EXTENDED	.500 [12.7]	1	.950 [24.13]	1.400 [35.56]	1.500 [38.1]	76	767044-2
.062 [1.57]	EXTENDED	.000 [0]	0	.450 [11.43]	.900 [22.86]	1.000 [25.4]	38	767044-1

DATE CODE	11-18-92	AMP	INCORPORATED
MANUFACTURED BY	HARRISBURG, PA 17105-3608		
REVISIONS	11-18-92		
DESCRIPTION	RECEPTACLE ASSEMBLY, RIGHT		
ANGLE	.025[0.64] CENTER LINE,		
SIZE	.062[1.57] PCB, MICTOR		
DATE CODE	00779		
SCALE	B:1		
SHEET	1 of 1		
REV	R		

RECOMMENDED PC BOARD LAYOUT (MIRROR IMAGE ON OPPOSITE SIDE)