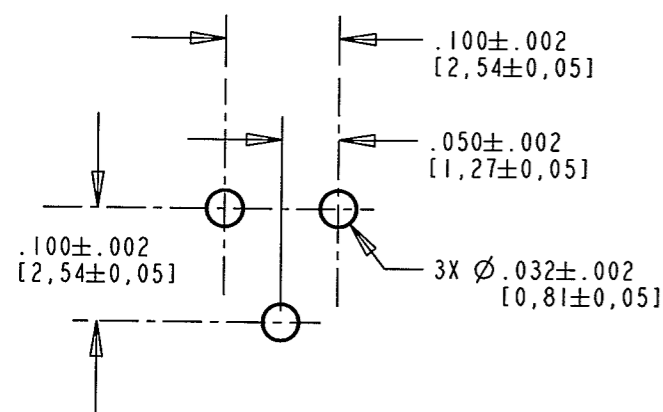
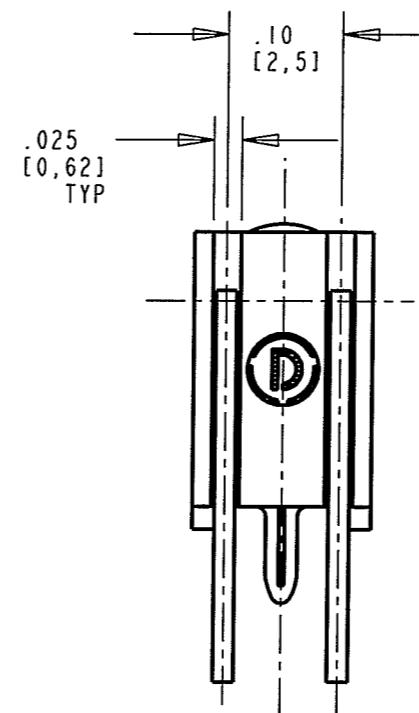
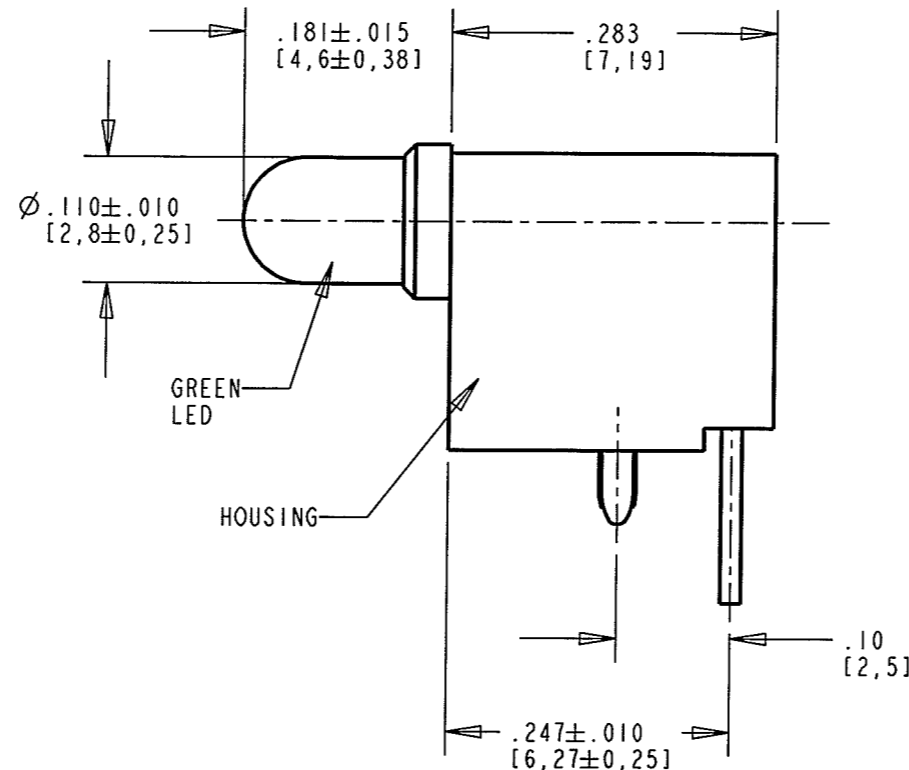
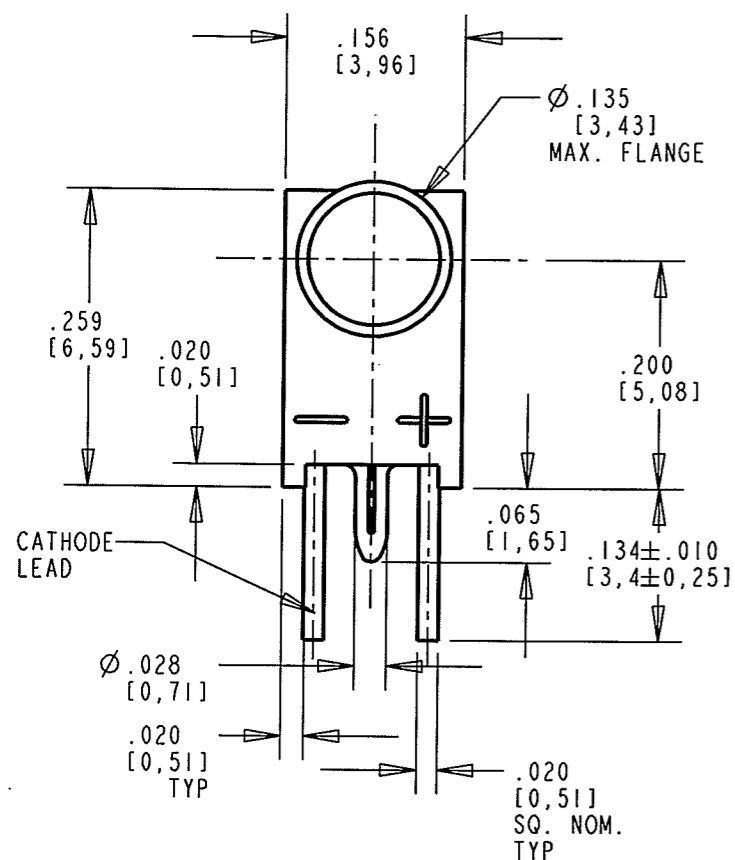


REV	ECN NO	REVISIONS	DRN	CKD	APP	DATE
A		NEW RELEASE	ALV	N.O.	MES	10-27-06
B		.181±.015" WAS ".180", ".110±.010" WAS ".110", ".10" WAS ".100 NOM." (2X), ".247±.010" WAS ".247", MAX LUM. INT. ".710" WAS ".1120", MIN VF "2.7" WAS "2.9", TYP VF "3.0" WAS "3.3", MAX VF "3.7" WAS "3.9", MIN DOM. WAV. "523" WAS "519", TYP DOM. WAV. "532" WAS "528", MAX DOM. WAV. "541" WAS "537", TEST COND. "IF = 10mA" WAS "IF = 20mA", NOTE 3 WAS 4 IN ERROR.				KLJ <i>m.e.</i> 4/4/08



RECOMMENDED HOLE PATTERN

NOTES:

- LEADS TO FIT INTO HOLES SPACED AS PER HOLE PATTERN.
- LED LEAD SPACING DIMENSION IS MEASURED AT HOUSING EXIT.
- DIALIGHT PART NUMBER: 551-5911F.

RoHS Compliant 551-5911F Thru hole CBI with Pin

Part Numbers with the "F" suffix ending are RoHS Compliant. The bag packaging is marked with "RoHS Compliant" label or equivalent markings. Parts can be wave soldered, dip soldered or hand soldered using typical lead-free soldering process with max 260°C temp. for 5 sec.

OPERATING CHARACTERISTICS AT 25°C AMBIENT						
CHARACTERISTICS	COLOR	MIN	TYP	MAX	UNITS	TEST CONDITIONS
LUMINOUS INTENSITY	TRUE GREEN	280		710	mcd	I <sub>F</sub> = 10 mA
FORWARD VOLTAGE	TRUE GREEN	2.7	3.0	3.7	V	I <sub>F</sub> = 10 mA
REVERSE CURRENT	TRUE GREEN		0.01	10	µA	V <sub>R</sub> = 5 V
DOMINANT WAVELENGTH	TRUE GREEN	523	532	541	nm	I <sub>F</sub> = 10 mA
PEAK WAVELENGTH	TRUE GREEN		523		nm	I <sub>F</sub> = 10 mA
VIEWING ANGLE	TRUE GREEN		30		Degree	

ABSOLUTE MAXIMUM RATINGS AT 25°C AMBIENT		
CHARACTERISTICS	TRUE GREEN	UNITS
POWER DISSIPATION	80	mW
FORWARD CURRENT	20	mA
REVERSE VOLTAGE	5	V
OPERATING TEMPERATURE	-55 TO +100	°C
STORAGE TEMPERATURE	-55 TO +100	°C

THIS DRAWING AND THE CONTENTS HEREIN ARE CONFIDENTIAL AND THE SOLE PROPERTY OF DIALIGHT. REPRODUCTION OF THIS DRAWING OR CONSTRUCTION OF ANY PARTS WITHIN THIS DRAWING ARE FORBIDDEN WITHOUT THE WRITTEN CONSENT OF DIALIGHT.		
SCALE: DRAWING SCALE ALL DIM'S IN: INCHES (MM)	DRAWING NUMBER C-17438	REV B
TOLERANCES: UNLESS OTHERWISE SPECIFIED FRACTIONS: ±1/64 DECIMALS (.XX): ±.01 DECIMALS (.XXX): ±.005 DECIMALS (.XXXX): ±.0005 ANGLES: ±1°	TITLE 3 mm CBI, .200 ⌀, W/PIN, RoHS COMPLIANT	
FINISH:	MATERIAL	
FSCM 83330	Dialight 1501 ROUTE 34 SOUTH FARMINGDALE, NJ 07727	
SHEET 1 OF 1 FAMILY TABLE:		